

For the operator

Instructions for use



uniSTOR

Domestic hot water cylinder

DE, AT, BEde

Publisher/manufacture

Vaillant GmbH

Berghauser Str. 40 ■ D-42859 Remscheid
Telefon 021 91 18-0 ■ Telefax 021 91 18-28 10
info@vaillant.de ■ www.vaillant.de



Contents

Contents

1	Safety	3
1.1	Action-related warnings	3
1.2	Intended use	3
1.3	General safety information	4
1.4	CE label	6
2	Notes on the documentation	7
2.1	Observing other applicable documents	7
2.2	Storing documents	7
2.3	Validity of the instructions	7
3	Description of the unit and functions	8
3.1	Design	8
3.2	Information on the data plate	9
4	Caring for the product	10
5	Maintenance	10
6	Recycling and disposal	11
7	Decommissioning	11
8	Guarantee	11
9	Customer service	12

1 Safety

1.1 Action-related warnings

Classification of action-related warnings

The action-related warnings are classified in accordance with the severity of the possible danger using the following warning signs and signal words:

Warning symbols and signal words



Danger!

Imminent danger to life or risk of severe personal injury



Danger!

Risk of death from electric shock



Warning.

Risk of minor personal injury



Caution.

Risk of material or environmental damage

1.2 Intended use

There is a risk of injury or death to the user or others, or of damage to the product and other property in the event of improper use or use for which it is not intended.

The domestic hot water cylinder is designed to keep potable water that is heated to a maximum 85 °C ready for use in households and businesses. The product is designed to be integrated into a central heating installation. It is designed to be combined with boilers whose power lies within the limits specified in the following table.

	Power transmitted		Continuous output *** [kW]
	Minimum * [kW]	Maximum ** [kW]	
VIH R 120	10	31	22
VIH R 150	13	36	26
VIH R 200	15	41	30

1 Safety

	Power transmitted		Continuous output *** [kW]
	Minimum * [kW]	Maximum ** [kW]	
* 85 °C flow temperature, 60 °C cylinder temperature			
** 85 °C flow temperature, 10 °C cylinder temperature			
*** 80 °C heating flow temperature, 45 °C hot water outlet temperature, 10 °C cold water inlet temperature			

To control the hot water generation, weather-compensated controls and control systems from suitable boilers can be used. These are boilers that provide cylinder charging and make use of the compatibility for a temperature sensor.

Intended use includes the following:

- observance of the operating instructions included for the product and any other system components

- compliance with all inspection and maintenance conditions listed in the instructions.

The use of the product in vehicles, such as mobile homes and caravans, is not classed as intended use. Units that are not classed as vehicles are those that are installed in a fixed and permanent location (known as "fixed installation").

Any other use that is not specified in these instructions, or use beyond that specified in this document shall be considered improper use. Any direct commercial or industrial use is also deemed to be improper.


Caution.

Improper use of any kind is prohibited.

1.3 General safety information

1.3.1 Installation by competent persons only

The installation and start-up, inspection and maintenance, and repair and decommission-



ing of the product must only be carried out by a competent person.

1.3.2 Preventing frost damage

If the product is placed out of operation for a relatively long period of time (e.g. during a winter holiday) in an unheated room, the water in the product and pipelines may freeze.

- ▶ Ensure that the entire installation room is always frost-free.

1.3.3 Material damage due to leaks

- ▶ Ensure that there is no mechanical tension on the supply lines.
- ▶ Do not suspend any loads from the pipelines (e.g. clothing).

1.3.4 What to do if you find a leak

- ▶ If a leak occurs, immediately close the cold water stop valve on the system.
- ▶ If necessary, ask your competent person where he installed the cold water stop valve.

- ▶ Have the leak repaired by an approved heating specialist company.

1.3.5 Danger due to changes to the product environment

There is a risk of injury or death to the user or others, or of damage to the product and other property, in the event of changes to the product environment.

- ▶ Never shut down the safety devices.
- ▶ Do not tamper with any of the safety devices.
- ▶ Do not damage or remove any seals on components. Only qualified competent persons and factory service personnel are authorised to make modifications to sealed components.
- ▶ Do not make any changes:
 - to the product
 - to the gas, air, water and electricity supply lines
 - to the drain line and expansion relief valve for the heating water



1 Safety

- to the structural elements

1.3.6 Cabinet-type casing

Enclosing the product in cabinet-type casing requires compliance with the applicable design instructions.

- ▶ If you require cabinet-type casing for the product, consult an approved heating specialist company. Never, under any circumstances, enclose the product yourself.

1.3.7 Risk of injury and material damage due to maintenance and repairs carried out incorrectly or not carried out at all

- ▶ Never attempt to carry out maintenance work or repairs on your product yourself.
- ▶ Faults and damage should be immediately rectified by a competent person.
- ▶ Adhere to the maintenance intervals specified.

1.4 CE label



The CE label shows that the products comply with the basic requirements of the applicable directives as stated on the identification plate.

The declaration of conformity can be viewed at the manufacturer's site.

2 Notes on the documentation

2.1 Observing other applicable documents

- ▶ You must observe all operating instructions enclosed with the system components.

2.2 Storing documents

- ▶ Keep this manual and all other applicable documents safe for future use.

2.3 Validity of the instructions

These instructions apply for the following products only:

Applicability: Germany

Type designation	Article number
VIH R 120/6 B	0010016414
VIH R 150/6 B	0010015947
VIH R 200/6 B	0010015948
VIH R 120/6 H	0010015928
VIH R 150/6 H	0010015929
VIH R 200/6 H	0010015930

Applicability: Austria

Type designation	Article number
VIH R 120/6 M	0010015937
VIH R 150/6 M	0010015938
VIH R 200/6 M	0010015939

Applicability: Belgium

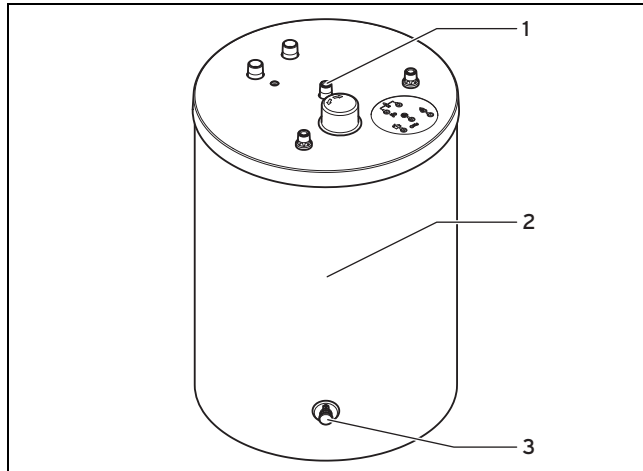
Type designation	Article number
VIH R 120/6 B	0010015943
VIH R 150/6 B	0010015944
VIH R 200/6 B	0010015945
VIH R 120/6 HA	0010015931
VIH R 150/6 HA	0010015932
VIH R 200/6 HA	0010015933

3 Description of the unit and functions

3 Description of the unit and functions

3.1 Design

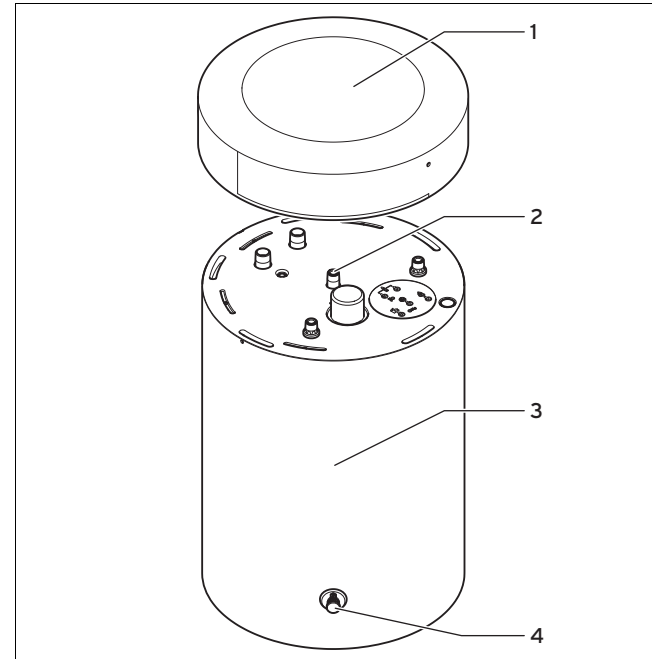
Applicability: All VIH R ... B units



- 1 Connections for the installation by the competent person
- 2 Heat insulation
- 3 Drain cock for maintenance work carried out by the competent person

Applicability: All VIH R ... M units

OR All VIH R ... H units



- 1 Top casing
- 2 Connections for the installation by the competent person
- 3 Heat insulation
- 4 Drain cock for maintenance work carried out by the competent person

The domestic hot water cylinder is equipped with external heat insulation. The vessel for the domestic hot water cylinder is made of enamelled steel. The heating coils that transfer the heat are located inside the vessel. As additional corrosion protection, the vessel has a protection anode.

Applicability: All **VIH R ... B** units

OR All **VIH R ... M** units

A circulation pump can be used as an option to increase the hot water comfort, particularly at more distant draw-off points.



3.2 Information on the data plate

Applicability: Austria




OR Belgium

OR Germany

Information on the data plate	Meaning
Serial no.	Serial number
VIH R ...	Type designation
VIH	Vaillant, indirectly heated high-pressure cylinder
R	Round
120, (150, 200)	Cylinder type
/6	Unit generation

Information on the data plate	Meaning
B, (M, H)	Insulation: – B = Basic – M = Medium – H = High
A	External current anode
R	Cleaning eye
ACI	Display for magnesium protection anode
EN 12897:2006	Standard applied
	Cylinder
	Spiral immersion heater
V[]	Nominal volume
P _s [bar]	Maximum operating pressure
T _{max} [°C]	Maximum operating temperature
A [m ²]	Heat transfer surface
Pt [bar]	Test pressure
P1	Continuous output
V	Nominal circulation volume flow

4 Caring for the product

Information on the data plate	Meaning
Heat loss	Downtime loss
Heater connection	Recommended dimensions of the pipelines to connect the boiler
	Read the instructions.
	→ "CE marking" section
Serial-No. 21054500100028300006000001N4  21054500100028300006000001N4	Barcode with serial number, The 7th to 16th digits of the serial number form the article number

4 Caring for the product



Caution.

Risk of material damage caused by unsuitable cleaning agents.

- ▶ Do not use sprays, scouring agents, detergents, solvents or cleaning agents that contain chlorine.

- ▶ Clean the casing with a damp cloth and a little solvent-free soap.

5 Maintenance

Regular maintenance of the product by the competent person is a prerequisite for ensuring that the system is constantly ready and safe for operation, reliable and has a long service life.

Applicability: All units with magnesium protection anode

- ▶ From two years after starting up the domestic hot water cylinder, have the magnesium protection anode serviced annually by the competent person.

If the magnesium protection anode is 60% used, the competent person must replace the magnesium protection anode. When replacing the magnesium protection anode, if the competent person notices dirt in the vessel, they should rinse the vessel.

Applicability: All units with an external current anode

If the LED on the power supply unit for the external current anode flashes red, there is a fault which must be eliminated by the competent person.

- ▶ Regularly check the LED on the power supply unit for the external current anode.

- ▶ If the LED on the power supply unit for the external current anode flashes red, inform your competent person.

6 Recycling and disposal

Disposing of the packaging

- ▶ The competent person who installed the product is responsible for disposing of the packaging.

Disposing of the product and accessories

- ▶ Do not dispose of the product or the accessories with household waste.
- ▶ Ensure that the product and all accessories are disposed of properly.
- ▶ Observe all relevant regulations.

7 Decommissioning

- ▶ Make sure that only an authorised competent person decommissions the product.

8 Guarantee

Applicability: Germany

OR Austria

Herstellergarantie gewähren wir nur bei Installation durch einen anerkannten Fachhandwerksbetrieb.

Dem Eigentümer des Geräts räumen wir diese Herstellergarantie entsprechend den Vaillant Garantiebedingungen ein. Garantiearbeiten werden grundsätzlich nur von unserem Werkskundendienst ausgeführt. Wir können Ihnen daher etwaige Kosten, die Ihnen bei der Durchführung von Arbeiten an dem Gerät während der Garantiezeit entstehen, nur dann erstatten, falls wir Ihnen einen entsprechenden Auftrag erteilt haben und es sich um einen Garantiefall handelt.

Applicability: Belgium

Die N.V. VAILLANT gewährleistet eine Garantie von 2 Jahren auf alle Material- und Konstruktionsfehler ihrer Produkte ab dem Rechnungsdatum.

Die Garantie wird nur gewährt, wenn folgende Voraussetzungen erfüllt sind:

1. Das Gerät muss von einem qualifizierten Fachmann installiert worden sein. Dieser ist dafür verantwortlich, dass alle geltenden Normen und Richtlinien bei der Installation beachtet wurden.
2. Während der Garantiezeit ist nur der Vaillant Werkskundendienst autorisiert, Reparaturen oder Veränderungen

9 Customer service

am Gerät vorzunehmen. Die Werksgarantie erlischt, wenn in das Gerät Teile eingebaut werden, die nicht von Vaillant zugelassen sind.

3. Damit die Garantie wirksam werden kann, muss die Garantiekarte vollständig und ordnungsgemäß ausgefüllt, unterschrieben und ausreichend frankiert spätestens fünfzehn Tage nach der Installation an uns zurückgeschickt werden.

Während der Garantiezeit an dem Gerät festgestellte Material- oder Fabrikationsfehler werden von unserem Werkkundendienst kostenlos behoben. Für Fehler, die nicht auf den genannten Ursachen beruhen, z. B. Fehler aufgrund unsachgemäßer Installation oder vorschriftswidriger Behandlung, bei Verstoß gegen die geltenden Normen und Richtlinien zur Installation, zum Aufstellraum oder zur Belüftung, bei Überlastung, Frosteinwirkung oder normalem Verschleiß oder bei Gewalteinwirkung übernehmen wir keine Haftung. Wenn eine Rechnung gemäß den allgemeinen Bedingungen des Werkvertrags ausgestellt wird, wird diese ohne vorherige schriftliche Vereinbarung mit Dritten (z. B. Eigentümer, Vermieter, Verwalter etc.) an den Auftraggeber oder/und den Benutzer der Anlage gerichtet; dieser übernimmt die Zahlungsverpflichtung. Der Rechnungsbetrag ist dem Techniker des Werkkundendienstes, der die Leistung erbracht hat, zu erstatten. Die Reparatur oder der Austausch von Teilen während der Garantie verlängert die Garantiezeit nicht. Nicht umfasst von der Werksgarantie sind Ansprüche, die über die kostenlose Fehlerbeseitigung hinausgehen, wie z. B. Ansprüche auf Schadenersatz. Gerichtsstand ist der Sitz unseres Unternehmens. Um alle Funktionen des Vaillant Geräts auf Dauer sicherzustellen und um den zugelassenen

Serienzustand nicht zu verändern, dürfen bei Wartungs- und Instandhaltungsarbeiten nur Original Vaillant Ersatzteile verwendet werden!

9 Customer service

Applicability: Germany

Vaillant Werkskundendienst: 018 06 99 91 50 (20 Cent/Anruf aus dem deutschen Festnetz, aus dem Mobilfunknetz max. 60 Cent/Anruf.)

Applicability: Austria

Vaillant Group Austria GmbH
Forchheimergasse 7
A-1230 Wien
Österreich

E-Mail: termin@vaillant.at

Internet: <http://www.vaillant.at/werkskundendienst/>

Telefon: 05 70 50-21 00 (zum Regionaltarif österreichweit, bei Anrufen aus dem Mobilfunknetz ggf. abweichende Tarife - nähere Information erhalten Sie bei Ihrem Mobilnetzbetreiber)

Der flächendeckende Werkskundendienst für ganz Österreich ist täglich von 0 bis 24 Uhr erreichbar. Vaillant Werkskundendiensttechniker sind 365 Tage für Sie unterwegs, sonn- und feiertags, österreichweit.

Applicability: Belgium

N.V. Vaillant S.A.
Golden Hopestraat 15
B-1620 Drogenbos
Belgien, Belgique, België
Kundendienst: 2 334 93 52

0020160984_01 ■ 30.05.2017

Vaillant Deutschland GmbH & Co.KG

Berghauser Str. 40 ■ D-42859 Remscheid

Telefon 021 91 18-0 ■ Telefax 021 91 18-28 10

Vaillant Profi-Hotline 018 06 99 91 20 (20 Cent/Anruf aus dem deutschen Festnetz, aus dem Mobilfunknetz max. 60 Cent/Anruf.) ■ Vaillant Werkskundendienst 018 06 99 91 50 (20 Cent/Anruf aus dem deutschen Festnetz, aus dem Mobilfunknetz max. 60 Cent/Anruf.)

info@vaillant.de ■ www.vaillant.de

Vaillant Group Austria GmbH

Forchheimergasse 7 ■ A-1230 Wien

Telefon 05 70 50-0 ■ Telefax 05 70 50-11 99

Telefon 05 70 50-21 00 (zum Regionaltarif österreichweit, bei Anrufen aus dem Mobilfunknetz ggf. abweichende Tarife - nähere Information erhalten Sie bei Ihrem Mobilnetzbetreiber)

info@vaillant.at ■ termin@vaillant.at

www.vaillant.at ■ www.vaillant.at/werkskundendienst/

N.V. Vaillant S.A.

Golden Hopestraat 15 ■ B-1620 Drogenbos

Tel. 2 334 93 00 ■ Fax 2 334 93 19

Kundendienst 2 334 93 52 ■ Service après-vente 2 334 93 52

Klantendienst 2 334 93 52

info@vaillant.be ■ www.vaillant.be