



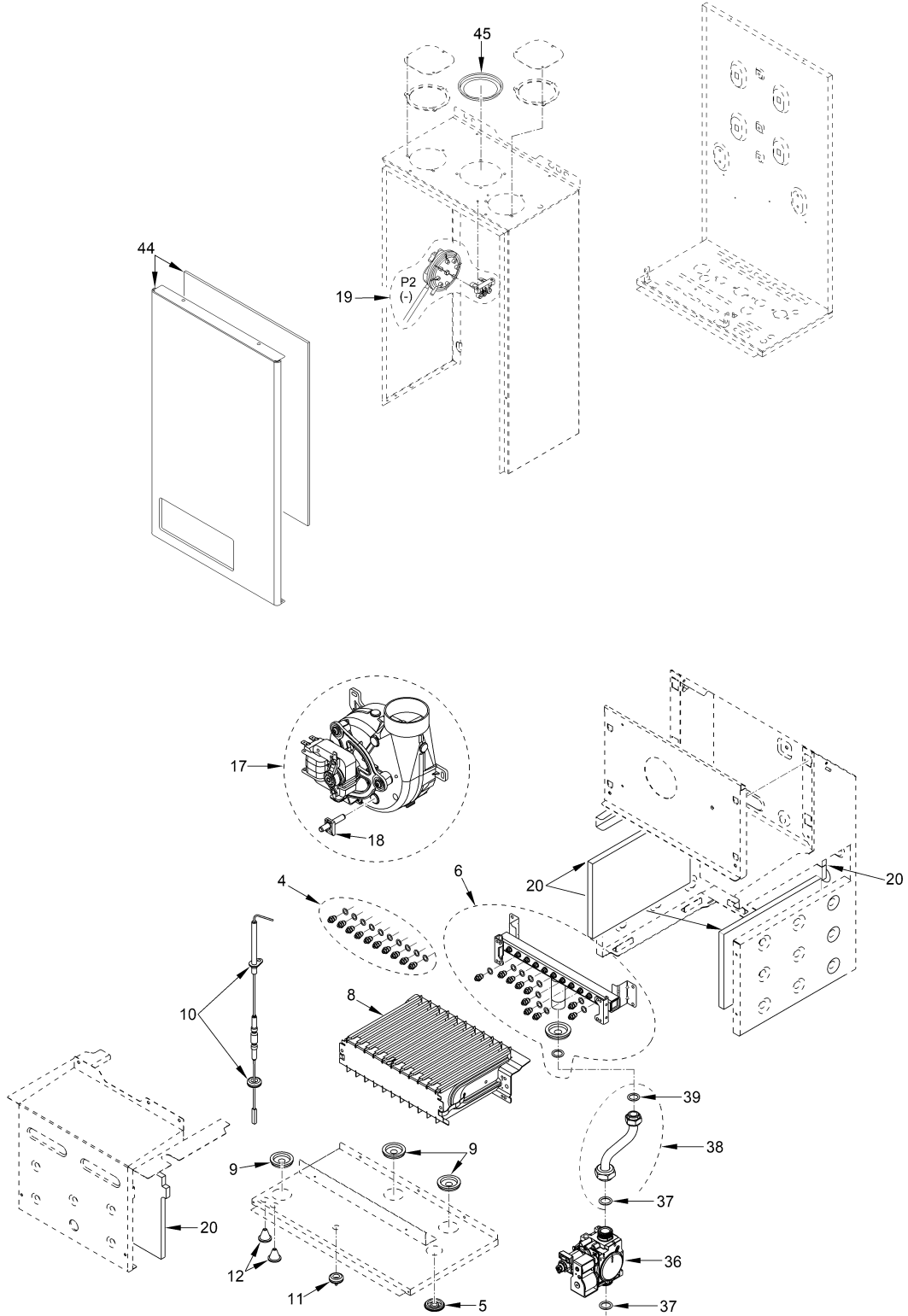
Fonderie Sime S.p.A.

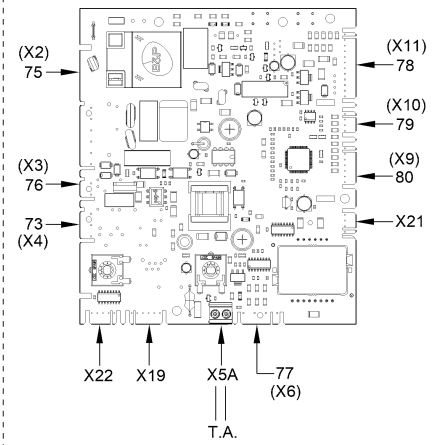
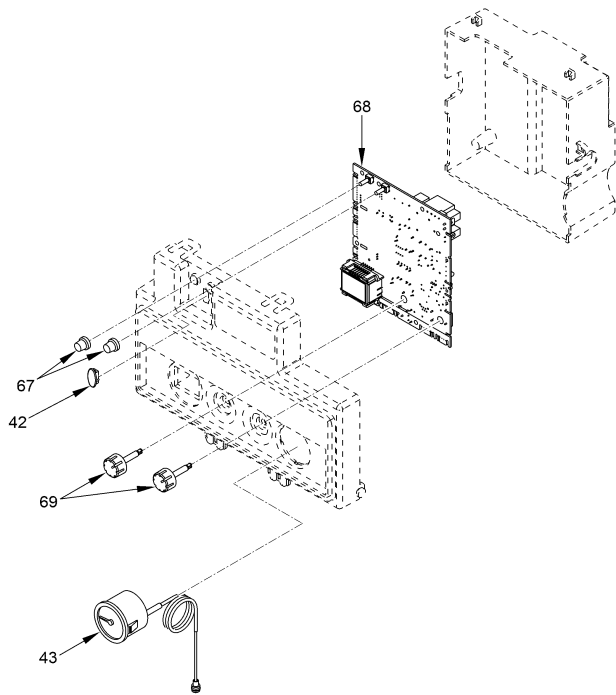
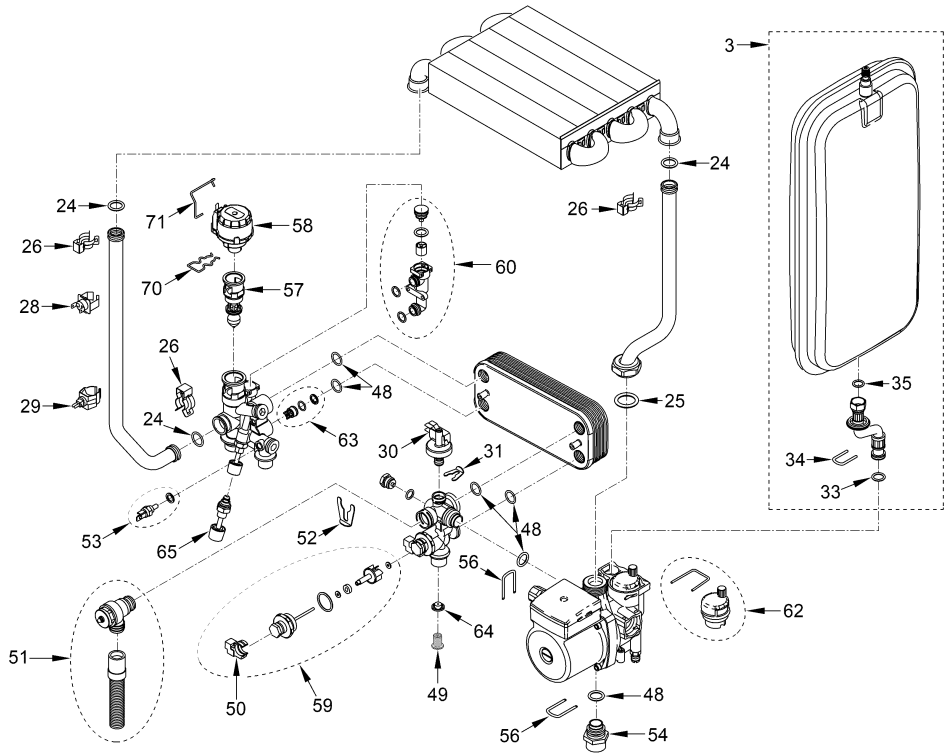
Via Garbo, 27 - 37045 Legnago (VR) - Tel. +39 0442 631111 - www.sime.it - PEC fonderiesime@legalmail.it - SDI DH57HLI

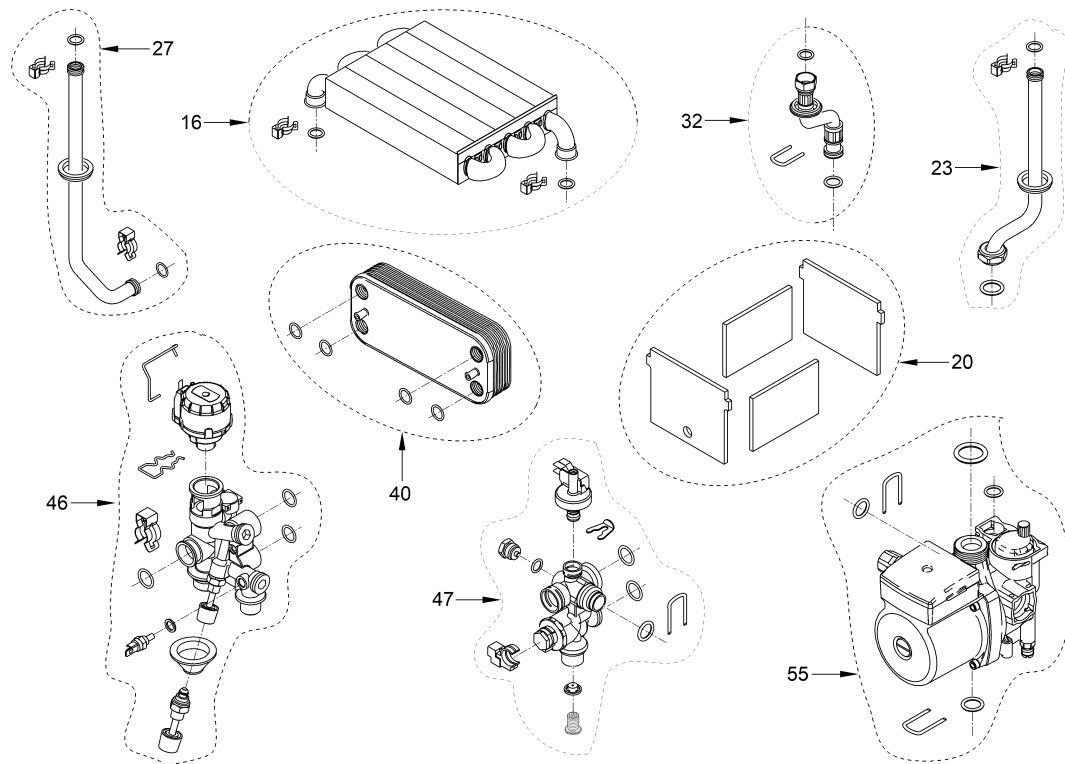
Registro Imprese Verona C.F./Partita IVA IT01275930236 - R.E.A. VR 171357 - N Mecc. VR 014435

Capitale sociale int. versato 5.521.200,00 - Societ controllata da Sime S.p.A.

8119622 GO 25- BF







The exploded diagram is common to several finished products. The spare parts related to the selected code are only those listed below.

IMPORTANT: The use of non-original spare parts will void the warranty and may compromise the safety of the product.

Position	Code	Description	Note	Advised parts
	6332702	By-pass cap Assy+or-Kramer		
003	6281638	Expans. vess.+flex+spring		
004	5144731	Conversion kit for natural gas		
005	6226750	Silicone pipe ring ø128		
006	6281626	Burner manifold met+pipe ring		
008	5198222	Main burner assembly		
009	6226752	Silicone pipe ring ø12		
010	6281635	Ignit-ionis-electr+fairlead+e		A
011	6226712	Cable-clamp for hole ø14		
012	6226714	Cable-clamp for hole ø14		
016	6281694	Heat exchanger+or+spring		
017	6225650	Fan		
018	6263918	Fan pressure test point		
019	6281698	Air press.switch+supp+tube		A
020	6281639	Combust.chamber insulating kit		
023	6281697	Return pipe C.H.system + or		
024	6226412	O-ring 3068		
025	2030267	Piracriten gasket Ø 30x17x2		
026	6226601	Spring for heat exchanger conne		
027	6281696	Flowing pipe C.H.system+or		
028	6146729	100°C safety stat		A
029	6231372	Temperature sensor		A
030	6037512	Water pressure switch		
031	6226639	Spring clip		
032	6281632	Flex.pipe MF3/8" L=200 + or		
033	6226476	ORing diam.15x2		
034	6226656	Pipe fixing spring		
035	2030226	Gasket Ø 10,2x14,8x2		
036	6243844	Gas valve		A
037	2030249	Gasket Ø 24x17x3		
038	6281628	Gas inlet pipe + gasket		
039	2030255	Gasket Ø 12,5x18,5x3		
040	6319689	10 plate heat exchanger + or		
042	6305140	Rubber cap		
043	6146132	Hydrometer		
044	6281627	Front panel + insulators		
045	6028620	Air diaphragm Ø 81		
046	6281680	C.H.flow stepper manifold + or		
047	6281640	C.H.ret.manif+or+wat.pres+filte		
048	6226475	ORing diam.18,64x3,53		
049	6222003	D.H.W. filter		
050	6131440	Flowmeter sensor		A
051	6319649	Safety valve kit 3 bar + plasti		A

052	6226645	Spring clip	
053	6281519	Plunged sensor + gasket	A
054	6120560	Pump nipple 3/4"	
055	6281633	Circulat. pump + gasket	
056	6226644	Spring clip for rotating connec	
057	6319654	Shutter group	A
058	6087332	Motor for diverting valve	A
059	6319651	Flowmeter + sensor group	A
060	6319653	External by-pass kit	A
061	6319648	Shutter + cable ties group	
062	5152030	Automat.air vent+gasket+spring	
063	6281859	Restraint valve + seeger ring	
065	6319639	Filling cock	
067	6240130	Adjustment key	
068	6324917	Main P.C.B	A
069	6290180	Knob Ø 20	
070	6226636	D.H.W. elektrovalve fix.spring	
071	6226638	Divertor valve motor spring cli	
073	6329649	Conn.X4	
075	6329470	Conn.X2 power supply-circulator	
076	6329471	Conn.X3 ventilateur	
077	6329469	Conn.X6 room therm.-extern.prob	
078	6329650	Con.X11 flux-s.san-w.pres-v.ga	
079	6329466	Conn.X10 safe-therm-flow probe	
080	6329467	Conn.X9 air pressure switch	
	5202324	Complete control panel	
	5144716	Conversion kit to LPG	

A = Spare parts for minimum fittings