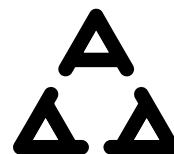
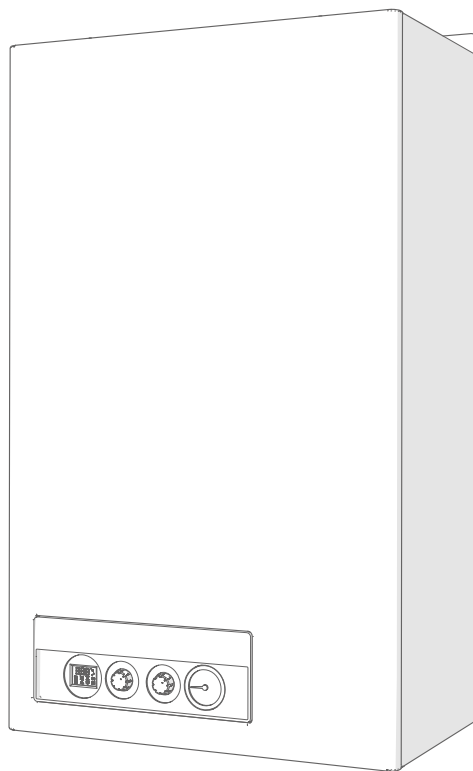




Wall-mounted low temperature sealed boilers
Навесные герметичные конденсационные котлы
Vodonepropusni nisko temperaturni zidni kotlovi

GO^{BF}

USER, INSTALLATION AND SERVICING INSTRUCTIONS
ИНСТРУКЦИЯ ПО ЭКСПЛУАТАЦИИ, МОНТАЖУ И ТЕХНИЧЕСКОМУ ОБСЛУЖИВАНИЮ
PRIRUČNIK ZA KORIŠĆENJE, POSTAVLJANJE I ODRŽAVANJE



EN

RU

SR



It is compulsory to read the instructions.
Прочтение настоящего руководства
является обязательным.
Obavezno pročitajte uputstva.

Visit our website:
Посетите наш сайт:
Pogledajte naš sajt:
www.sime.it



SAFETY WARNINGS AND REGULATIONS


WARNINGS

- After having removed the packaging make sure that the product supplied is integral and complete in all its parts. If this is not the case, please contact the Dealer who sold the appliance.
- The appliance must be used as intended by **Sime** who is not responsible for any damage caused to persons, animals or things, improper installation, adjustment, maintenance and improper use of the appliance.
- In the event of water leaks, disconnect the appliance from the mains power supply, close the water mains and promptly inform professionally qualified personnel.
- Periodically check that the operating pressure of the water heating system when cold is **1-1.2 bar**. If this is not the case, increase the pressure or contact professionally qualified personnel.
- If the appliance is not used for a long period of time, at least one of the following operations must be carried out:
 - *set the main system switch to "OFF";*
 - *close the gas and water valves for the water heating system.*
- In order to ensure optimal appliance operations **Sime** recommends that maintenance and checks are carried out **ONCE A YEAR**.
- The system's power connection is of the "Y" type, so the power cable may only be replaced by the manufacturer or the service department.
- The concentration of CO in combustion by-products must always comply with the installation regulations of the country where the appliance is installed.


WARNINGS

- **It is recommended that all operators** read this manual carefully in order to use the appliance in a safe and rational manner.
- **This manual** is an integral part of the appliance. It must therefore be kept for future reference and must always accompany the appliance in the event the appliance is transferred or sold to another Owner or User or is installed on another system.
- **Installation and maintenance** of this appliance must be carried out by a qualified company or by a professionally qualified technician in accordance with the instructions contained in the manual. Once the work is complete, the company or technician will issue a declaration of conformity with national and local technical standards and legislation in force in the country where the appliance will be used.
- **Any repairs on the appliance** must be carried out solely by professionally qualified personnel, using original spare parts only. Failure to comply with these instructions can jeopardise the appliance's safety and void the warranty with immediate effect.
- **Fonderie SIME S.p.A.** reserves the right to make improvements to its products at any time without prior notice, without compromising their essential characteristics. The graphic illustrations and/or images in this document may show optional accessories that vary according to the country in which the appliance is used.
- **The installer must explain to the User** the appliance's operation and the safety instructions. Moreover, the installer must hand the use and maintenance instructions to the User after completing the installation.

PROHIBITIONS



PROHIBITION

- Do not allow children under the age of 8 to use the appliance. The appliance can be used by children no younger than 8 years old, by people with physical or cognitive disabilities, and by people lacking experience or the necessary knowledge, provided that they are supervised or have been instructed on how to use the appliance safely and that they understand the risks associated with it.
- Do not allow children to play with the appliance.
- Do not allow unsupervised children to perform user maintenance and cleaning.
- Do not use electrical devices or appliances such as switches, electrical appliances etc if you can smell fuel. If this should happen:
 - *open the doors and windows to air the room;*
 - *close the gas isolation device;*
 - *promptly call for professional assistance.*
- Do not touch the appliance with bare feet or with any wet part of the body.
- Do not carry out any technical intervention or cleaning operation before having disconnected the appliance from the mains power by setting the main switch to "OFF", and closing the gas supply.
- Do not modify the safety or adjustment devices without authorization and instructions from the manufacturer.



PROHIBITION

- Do not modify or plug the condensate outlet (if present).
- Do not pull, detach or twist the electrical cables coming out of the appliance even if the appliance is disconnected from the mains power supply.
- Do not expose the boiler to atmospheric agents. These boilers can also be installed in partially covered areas, as per EN 15502, with a maximum ambient temperature of 60 °C and a minimum ambient temperature of - 5 °C. It is recommended that the boiler is installed below weathered roofs, on the balcony or in a protected niche, to protect it from exposure to weathering agents (rain, hail and snow). The boiler is equipped as standard with an anti-freeze function.
- Do not block or reduce the size of the ventilation openings of the room where the appliance is installed, if present.
- Do not remove the mains power and gas supply from the appliance if the external temperature could fall below ZERO (risk of freezing).
- Do not leave containers with flammable substances in the room where the appliance is installed.
- Do not dispose of the packaging material irresponsibly as it could be dangerous. Packaging must be disposed of as specified by the legislation in force in the country where the appliance will be used.
- Do not modify or intervene on sealed components.

Dear Customer,
 Thank you for purchasing a **Sime GO BF** boiler, a new-generation low-temperature modulating device possessing technical and performance characteristics capable of satisfying your space heating and instant domestic hot water requirements with the utmost safety and with limited running costs.

RANGE

MODEL	CODE
GO 18/25- BF (G20)	8119628
GO 18/25- BF (G30/G31)	8119629

NOTE: Some models may NOT be available in some countries.

COMPLIANCE

Our company declares that **GO BF** boilers comply with the following directives:

- Gas Appliances EU Regulation 2016/426
- Boiler Efficiency Directive 92/42/EEC
- Low Voltage Directive 2014/35/EU
- Electromagnetic Compatibility Directive 2014/30/EU

MANUAL STRUCTURE

This manual is organized as follows.

USER INSTRUCTIONS5
DESCRIPTION OF THE APPLIANCE...11
INSTALLATION AND SERVICING INSTRUCTIONS.....19
SYMBOLS

WARNING

To indicate actions which, if not carried out correctly, can result in injury of a general nature or may damage or cause the appliance to malfunction; these actions therefore require particular caution and adequate preparation.


ELECTRICAL HAZARD

To indicate actions which, if not carried out correctly, could lead to injury of an electrical nature; these actions therefore require particular caution and adequate preparation.


PROHIBITION

To indicate actions which **MUST NOT BE** carried out.


CAUTION

To indicate particularly important and useful information.

USER INSTRUCTIONS

TABLE OF CONTENTS

1 USING THE BOILER GO 18/25- BF	6	3 MAINTENANCE	9
1.1 Control panel	6	3.1 Adjustments.....	9
1.2 Preliminary checks	7	3.2 External cleaning.....	9
1.3 Ignition	7	3.2.1 <i>Cleaning the cladding</i>	9
1.4 Adjusting the delivery temperature	7		
1.5 Adjusting the domestic hot water temperature	7	4 DISPOSAL	9
1.6 Fault / malfunction codes.....	8	4.1 Disposal of the equipment (European Directive 2012/19/EU)	9
2 SHUTDOWN	8		
2.1 Temporary shutdown.....	8		
2.2 Shutting down for long periods	9		

1 USING THE BOILER GO 18/25- BF

1.1 Control panel

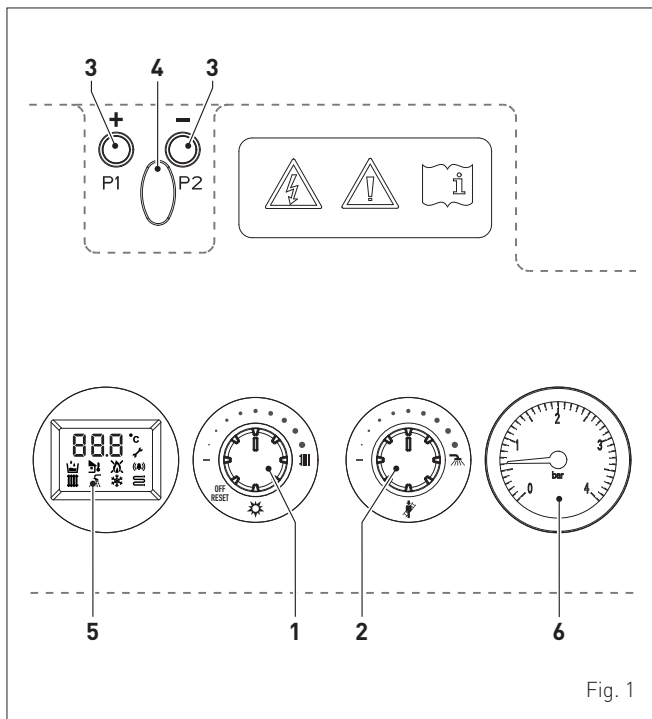


Fig. 1

1 MULTIFUNCTIONAL HEATING DIAL

During normal operation, the heating dial allows:

"WINTER mode" (Central Heating and Domestic Hot Water) to be selected and its setpoint to be set.

"SUMMER mode" (Domestic Hot Water only) to be selected.

OFF boiler off with all heat requests excluded. However the following functions are still on: anti-freeze, pump anti-seize and 3-way valve.

RESET unlock the system after a permanent lockout stoppage. To reset the system, turn the dial to "OFF/Reset"; wait until the "RES" message appears on the display, then turn the dial back to the previous position.

2 MULTIFUNCTIONAL DHW DIAL

During normal operation, the DHW dial allows:

the DHW setpoint to be set.

the "chimney sweep function" to be set.

3 SERVICE BUTTONS

+ - Buttons **+** and **-** (service buttons) are reserved for Professionally Qualified Personnel who, with the correct procedures, described in the relevant sections, can carry out procedures to configure, adjust and calibrate the boiler-system structure.

4 SERVICE CONNECTOR

Programming connector cover plug.



CAUTION

Buttons **+**, **-** and the connector are **NOT** accessible to the user but only to Trained Technical Personnel.

5 DISPLAY



"ANTIFREEZE". The symbol is shown in Antifreeze operating mode. When the boiler is switched on, the symbol or will also appear, depending on the type of anti-freeze in progress (relating to DHW or central heating).



"DOMESTIC HOT WATER". This symbol is shown during a request for DHW; it flashes while the domestic hot water set point is being selected.



"CENTRAL HEATING". This symbol stays steadily on during central heating operation; it flashes while the central heating set point is being selected.



"FLAME PRESENT". This symbol stays steadily on during burner operation, when the system detects a flame is present.



"LOCKOUT" BECAUSE NO FLAME PRESENT. This symbol stays steadily on when the system does NOT detect a flame.



"ALARM". This indicates that a fault has occurred. The presence of another symbol specifies the cause that triggered it (see paragraph "Malfunction codes and possible solutions").



"TEMPERATURE". The temperature is displayed, expressed in degrees Celsius.



"EXTERNAL SENSOR". This symbol is shown when the control board recognises an external sensor is connected. To modify the curve of the external sensor, turn the multifunctional heating dial .



"WATER PRESSURE". This symbol is shown together with the symbol and indicates there is no water pressure in the central heating circuit.



"CHIMNEY SWEEP". This symbol is shown together with the symbol and indicates that the Chimney sweep function should be activated.



"OVERTEMPERATURE". This symbol flashes when the system temperature reaches an excessive, and potentially dangerous, level.

6 PRESSURE GAUGE

1.2 Preliminary checks



WARNING

- Should it be necessary to access the areas in the bottom part of the appliance, make sure that the system components and pipes are not hot (risk of burning).
- Before replenishing the heating system, put on protective gloves.

Commissioning of the **GO BF** boiler must be carried out by professionally qualified Personnel after which the boiler can operate automatically. It may however be necessary for the User to start the appliance autonomously without involving a technician: for example, after a holiday. In these cases certain checks and the following operations must be carried:

- check that the gas isolation and water system valves are open
- using a pressure gauge (1), check that the heating system pressure when cold is **1-1.2 bar**. If this is not the case, open the filling valve (2) and restore the heating system pressure until the pressure gauge (1) shows a reading of **1-1.2 bar**
- close the filling valve (2).

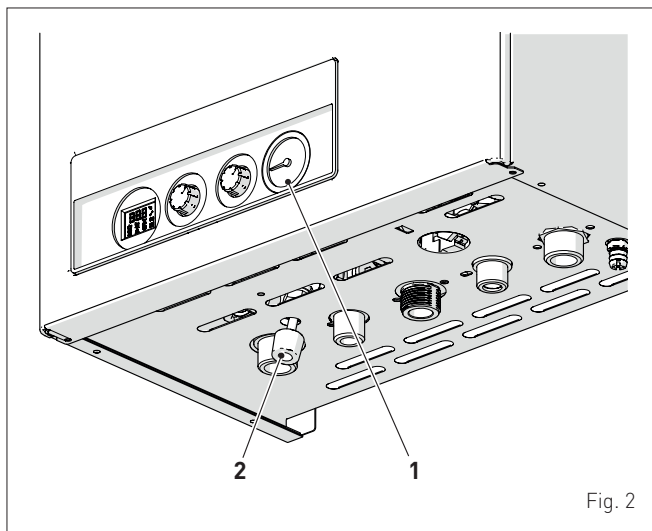
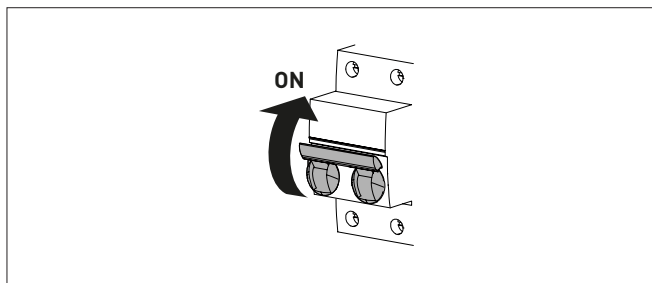




Fig. 2

1.3 Ignition

After having carried out the preliminary checks, perform the following to start the boiler:

- set the main system switch to "ON"



- turn the multifunctional heating dial  to select the  symbol ("SUMMER mode")

- open one or more than one hot water tap. The boiler will work at maximum power until the taps are closed. The temperature of the domestic hot water detected at that moment will appear on the display.

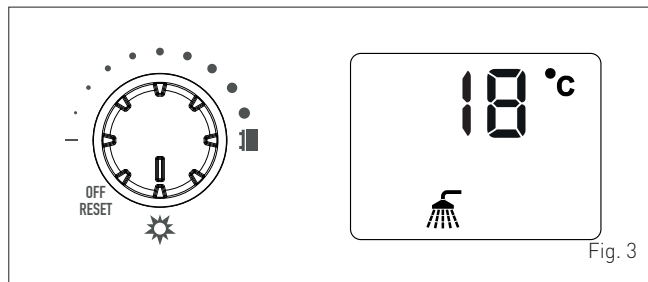





Fig. 3

Once the boiler is started up in "SUMMER mode" , to move over to "WINTER mode"  (central heating and domestic hot water) turn the multifunctional heating dial  to halfway through the setting range. The display will show the central heating water temperature detected at that time. In this case it is necessary to set the room thermostat(s) to the required temperature or, if the system has a programmable thermostat, to check that this is "on" and set.

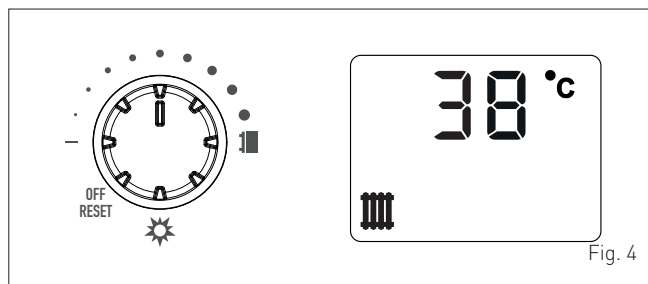



Fig. 4

1.4 Adjusting the delivery temperature

Should you wish to increase or decrease the boiler delivery temperature, turn the dial  to the desired setpoint. The value can be set to between 20°C and 80°C.

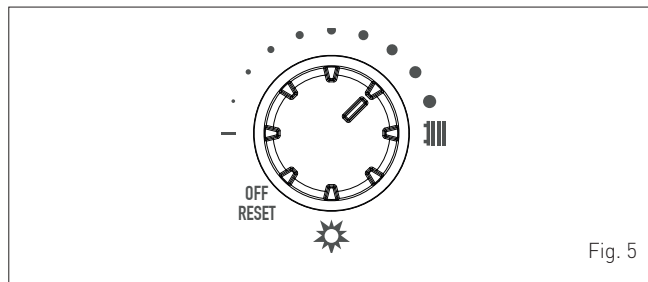



Fig. 5

1.5 Adjusting the domestic hot water temperature

Should you wish to increase or decrease the domestic hot water temperature, turn the dial  to the setpoint required. The value can be set to between 37°C and 60°C.

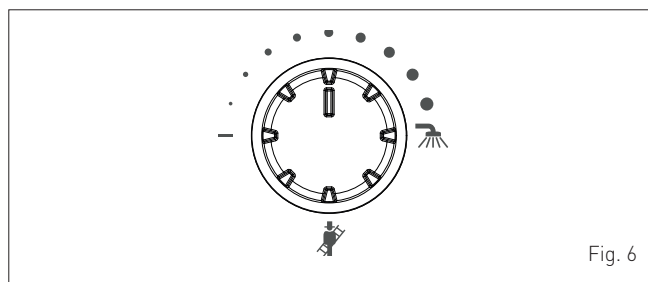


Fig. 6

1.6 Fault / malfunction codes

If a fault/malfunction is detected during boiler operation, the message "E" will appear on the display followed by the fault code.

If you see alarm "04" (low water pressure in the system):

- using a pressure gauge (1), check that the heating system pressure when cold is **1-1.2 bar**. If this is not the case, open the filling valve (2) and restore the heating system pressure until the pressure gauge (1) shows a reading of **1-1.2 bar**
- close the filling valve (2)
- turn dial **||||** to **OFF / RESET** and then again to the adjustment value required. This resets normal operating conditions.

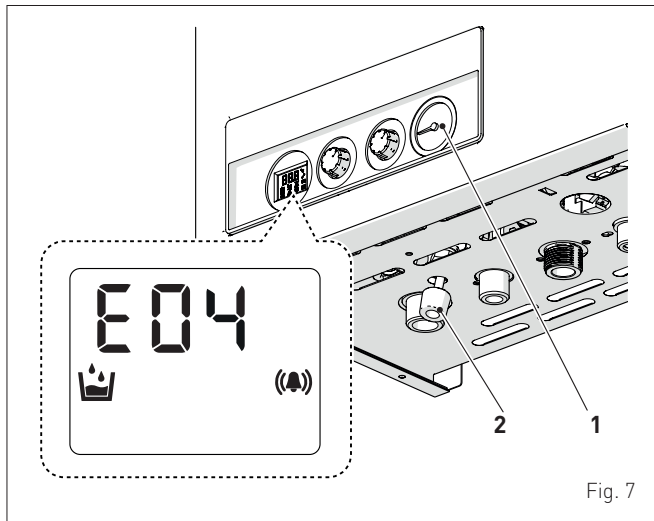


Fig. 7

If you see alarm "E01" (no flame detected):

- turn dial **||||** to **OFF / RESET** and then again to the adjustment value required. This resets normal operating conditions.

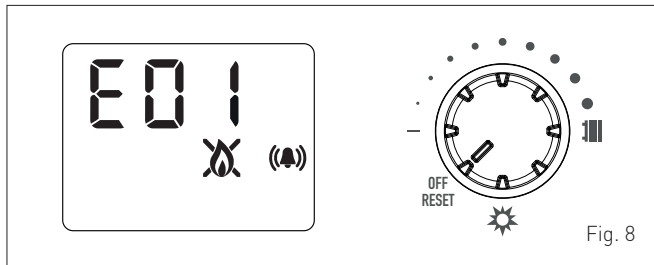
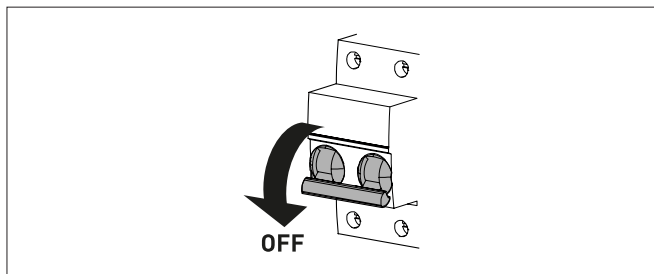


Fig. 8

If this operation is not successful, **ONLY ONE MORE RESET ATTEMPT** can be made, therefore:

- close the gas isolation valve
- set the main system switch to "OFF"
- contact the Qualified Technical Personnel.



CAUTION

Should you see an alarm not described here, contact a qualified technical professional.

2 SHUTDOWN

2.1 Temporary shutdown

If the boiler is to be left unused for a long period, the following operations need to be carried out:

- turn dial **||||** to **OFF / RESET**. The display will show "--". If an external sensor is connected, the display will show icon and the value of the external temperature detected.

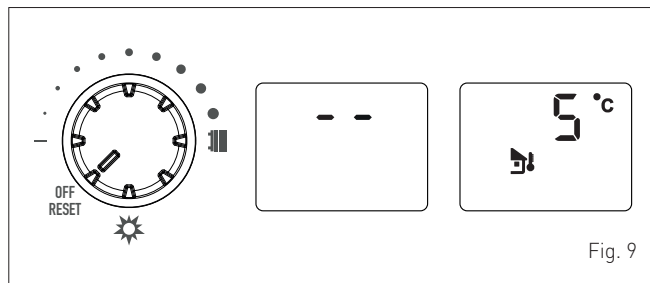


Fig. 9



ELECTRICAL HAZARD

The boiler will still be powered.

If the user is away temporarily (for a weekend, short trip etc) and if the outside temperature is above ZERO:

- turn dial **||||** to **OFF / RESET**
- set the main system switch to "OFF"
- close the gas valve.

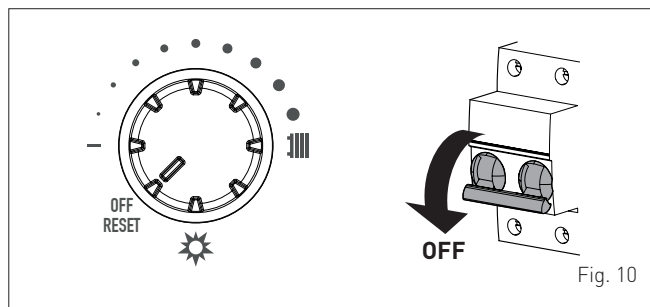


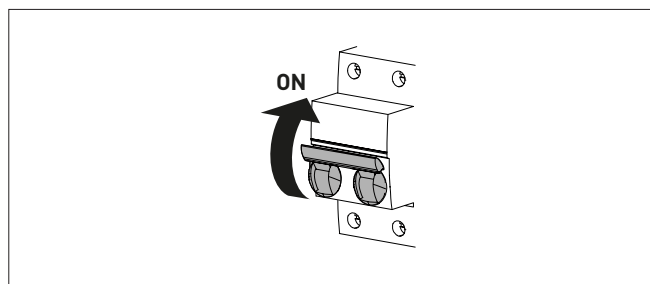
Fig. 10



CAUTION



If the outside temperature might fall below ZERO, since the appliance is equipped with an "antifreeze function":

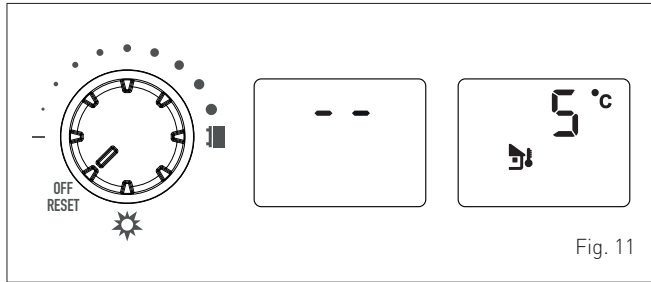
- turn dial **||||** to **OFF / RESET**
- leave the main system switch set to "ON" (boiler is powered)
- leave the gas valve open.



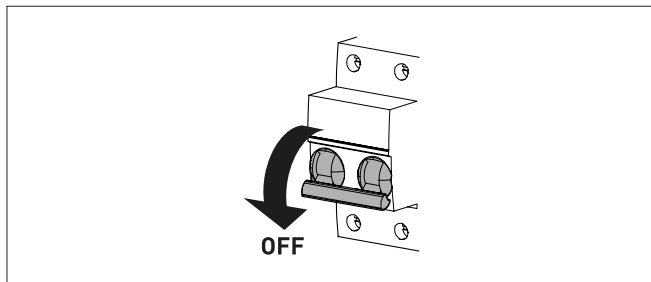
2.2 Shutting down for long periods

If the boiler is to be left unused for a long period, the following operations need to be carried out:

- turn dial  to OFF / RESET. The display will show "--". If an external sensor is connected, the display will show icon  and the value of the external temperature detected.



- set the main system switch to "OFF"



- close the gas valve
- close the heating and domestic hot water isolation valves
- **drain the heating and domestic hot water system if there is the risk of freezing.**



CAUTION

Contact the Qualified Technical Personnel if the procedure described above cannot be easily carried out.

3 MAINTENANCE

3.1 Adjustments

For the appliance to operate correctly and efficiently it is recommended that the User calls upon the services of a Professionally Qualified Technician to carry out **ANNUAL** maintenance.



CAUTION

Maintenance interventions must **ONLY** be carried out by professionally qualified personnel who will follow the indications provided in the **INSTALLATION AND MAINTENANCE MANUAL**.

3.2 External cleaning



WARNING

- Should it be necessary to access the areas in the bottom part of the appliance, make sure that the system components and pipes are not hot (risk of burning).
- Before performing any maintenance, put on protective gloves.

3.2.1 Cleaning the cladding

When cleaning the cladding, use a cloth dampened with soap and water or alcohol for stubborn marks.



PROHIBITION

Do not use abrasive products.

4 DISPOSAL

4.1 Disposal of the equipment (European Directive 2012/19/EU)



At the end of their life span, the appliance and electrical and electronic devices coming from households or classifiable as household waste must be delivered to appropriate waste collection systems, in accordance with the law and with Directive 2012/19/EU. This product was designed and manufactured for minimising its impact on the environment and on human health, but it contains components that could be detrimental if managed improperly. The symbol (crossed-out wheeled bin) depicted here and also appearing on your appliance means that the appliance at the end of its life must be managed in accordance with the law and treated as electrical and electronic waste. Before delivering the appliance for its disposal, consult the applicable provisions of the laws in force in the country where the appliance is used and get information on the authorised waste disposal facilities by contacting the relevant local offices.



PROHIBITION

Do not dispose of the product with urban waste.

DESCRIPTION OF THE APPLIANCE

TABLE OF CONTENTS

5	DESCRIPTION OF THE APPLIANCE	12			
5.1	Characteristics	12	5.7	Main water circuit	15
5.2	Check and safety devices	12	5.8	Sensors	15
5.3	Symbols on the appliance	12	5.9	Expansion vessel	15
5.4	Identification	12	5.10	Circulation pump	16
5.5	Structure	13	5.11	Control panel	16
5.6	Technical features	14	5.12	Wiring diagram	17

5 DESCRIPTION OF THE APPLIANCE

5.1 Characteristics

GO BF are last generation low temperature wall mounted boilers which **Sime** has produced for heating and domestic hot water production. The main design choices made by **Sime** for the **GO BF** boilers are:

- the atmospheric burner combined with a copper heat exchanger for heating and a rapid heat exchanger for DHW
- the sealed combustion chamber which can be classified "Type C" or "Type B" in relation to the room where the boiler is installed, depending on the smoke outlet configuration adopted during installation
- the microprocessor electronic control board, which makes the heating and domestic hot water production system easier to manage and offers the option to be connected to room thermostats or to a remote control (with Open Therm protocol) and also to an external sensor. Where connected to an external sensor, the boiler temperature varies on the basis of the external temperature, according to the selected optimal climatic curve. This provides significant energy and cost savings.

Other special features of the **GO BF** boilers are:

- DHW anti-freeze function that comes on automatically if the temperature detected by the DHW sensor falls below 4°C. The circulation pump and the burner start up. When the temperature reaches 35°C the burner goes off and the circulation pump stays on for ~ 150 s (post circulation), after which the anti-freeze function stops
- central heating anti-freeze function that comes on automatically at two levels:
 - if the temperature detected by the delivery sensor falls below 7°C only the circulation pump comes on. If the temperature reaches 10°C, the anti-freeze function stops
 - if, on the other hand, rather than rising, the temperature falls below 5°C, the burner also starts up. When the temperature reaches 42°C the burner goes off and the circulation pump stays on for ~ 150 s (post circulation), after which the anti-freeze function stops
- the anti-blocking function of the pump and diverter valve, this activates automatically every 24 hours if no request for heat has been made
- the chimney sweep function lasts 15 minutes and makes the job of the qualified technician easier when measuring the parameters and combustion efficiency and when checking gas pressure at the nozzles
- screen display of the operating and self-diagnostic parameters with error code display when the fault occurs. This makes repair interventions easier and allows appliance operation to be restored correctly.

5.2 Check and safety devices

The **GO BF** boilers are equipped with the following check and safety devices:

- thermal safety thermostat 100°C
- 3 bar relief valve
- heating water pressure switch
- delivery sensor
- DHW sensor
- air pressure switch.



PROHIBITION

Do not commission the appliance with safety devices which do not work or which have been tampered with.



WARNING

Safety device may only be replaced by professional qualified personnel using **Sime** original spare parts.

5.3 Symbols on the appliance

The appliance is marked with the following symbols:

SYMBOL	DESCRIPTION
	Indicates the presence of particularly dangerous zones in the appliance.
	Indicates the presence of live electrical parts in the appliance.
	Indicates that information concerning the appliance is available, for example the instruction manual.
	Indicates that personnel assigned to perform maintenance on the appliance must operate in accordance with the instruction manual.
	Indicates that the instruction manual must be read.
	Indicates that the appliance must be connected to an earthing system.

5.4 Identification

The **GO BF** boilers can be identified by means of:

- 1 Packaging label:** this is located on the outside of the packaging and provides a code, the serial number of the boiler and the bar code
- 2 Technical Data Plate:** this is located inside the side panel of the boiler and provides the technical specification, appliance performance and any other information required by law.

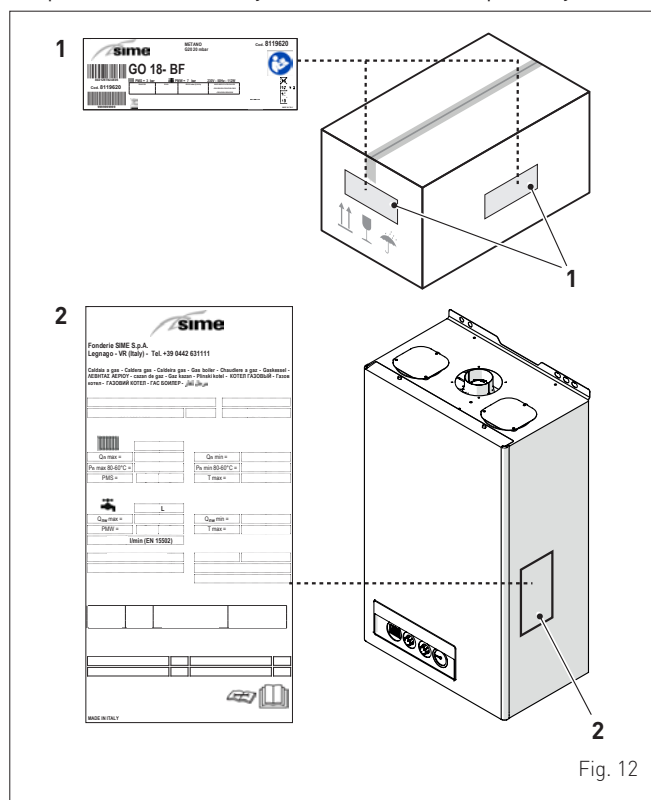


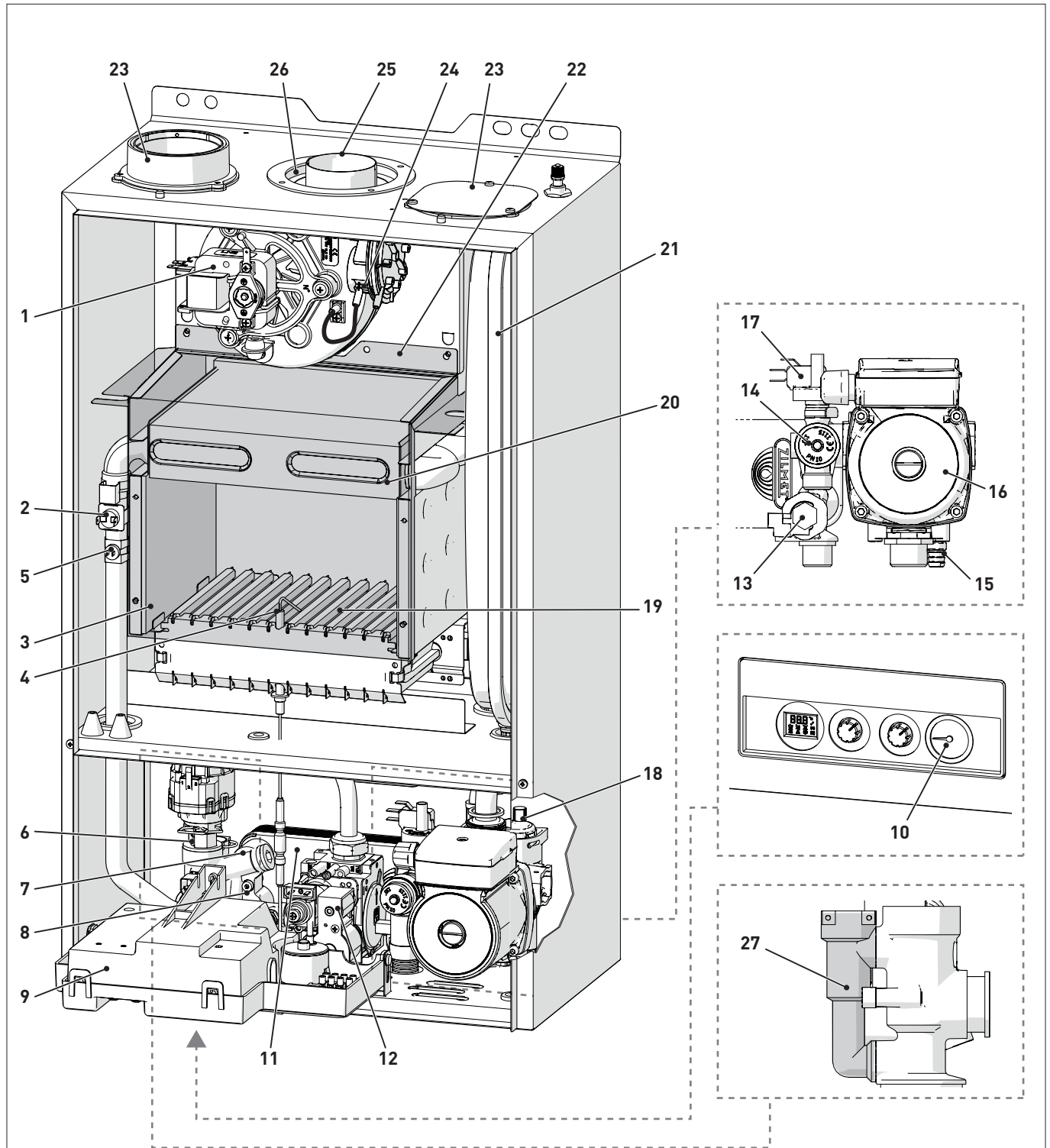
Fig. 12



CAUTION

Tampering with, removing or failing to display the identification plate or carrying out any other operation which does not allow safe identification of the product or which may hinder installation and maintenance operations.

5.5 Structure



- | | | |
|--------------------------------|-----------------------------|-----------------------------------|
| 1 Fan | 11 Secondary heat exchanger | 21 Expansion vessel |
| 2 Heat safety thermostat | 12 Gas valve | 22 Combustion chamber front panel |
| 3 Combustion chamber | 13 Flow meter | 23 Air inlet (separate ducts) |
| 4 Ignition/detection electrode | 14 System relief valve | 24 Air pressure switch |
| 5 Heating delivery probe | 15 Boiler drain | 25 Smoke outlet |
| 6 Diverter valve | 16 System pump | 26 Air inlet (concentric ducts) |
| 7 System filling unit | 17 Water pressure switch | 27 By-pass |
| 8 Domestic hot water sensor | 18 Automatic bleed valve | |
| 9 Control panel | 19 Burner | |
| 10 Pressure gauge | 20 Primary heat exchanger | |

Fig. 13

5.6 Technical features

DESCRIPTION		GO 18/25- BF
CERTIFICATIONS		
Country of intended installation		AZ - RU - SR
Fuel		G20; G30/G31
PIN number		1010M
Category		II2H3+
Type		B22P - B52P - C12 - C12X - C32 - C32X - C42 - C42X - C52 - C52X - C62 - C62X - C82 - C82X - C92 - C92X
Class NOx		4 (< 100 mg/kWh)
DHW rated useful heat output	kW	23,5
HEATING PERFORMANCE		
HEAT INPUT		
Nominal flow	kW	20,5
Minimum (G20)	kW	9,2
Minimum (G30/G31)	kW	9,2
HEAT OUTPUT		
Nominal (80-60°C)	kW	18,5
Minimum (80-60°C) (G20)	kW	7,6
Minimum (80-60°C) (G30/G31)	kW	7,6
EFFICIENCY		
Max useful efficiency (80-60°C)	%	90,4
Min useful efficiency (80-60°C)	%	83,1
Useful efficiency at 30% of load (50-37°C)	%	86,1
Thermal efficiency (IEC 92/42)		★★★
Losses after shutdown at 50°C	W	74
DOMESTIC HOT WATER PERFORMANCE		
Nominal heat input	kW	25,5
Minimum heat input (G20)	kW	9,2
Minimum heat input (G30/G31)	kW	9,2
D.H.W. flow rate ΔT 30°C (EN 13203)	l/min	10,6
Continuous D.H.W. flow rate ΔT 25K	l/min	13,1 / 9,3
Minimum D.H.W. flow rate	l/min	2,2
Max / Min Pressure	bar kPa	7 / 0,4 700 / 40
ELECTRICAL SPECIFICATIONS		
Power supply voltage	V	230
Frequency	Hz	50
Absorbed electrical power	W	112
Electrical protection degree	IP	X5D
COMBUSTION DATA		
Fume temperature at Max/Min load (80-60°C) with separate flues (*)	°C	143,5 / 109,7
Fume temperature at Max/Min load (80-60°C) with concentric flues (**)	°C	108,4 / 84,7
Smoke flow Max/Min	g/s kg/h	16,9 / 17,2 60,84 / 61,92
CO ₂ at Max/Min (G20) flow rate with separate chimneys (*)	%	5,9 / 1,9
CO ₂ at Max/Min (G30/G31) flow rate with separate chimneys (*)	%	7,1 / 2,2
CO ₂ at Max/Min (G20) flow rate with concentric chimneys (**)	%	6,3 / 2,0
CO ₂ at Max/Min (G30/G31) flow rate with concentric chimneys (**)	%	7,3 / 2,3
NO _x measured	mg/kWh	78
NOZZLES - GAS		
Number of nozzles	No.	11
Nozzle diameter (G20)	mm	1,3
Nozzle diameter (G30/G31)	mm	0,8
Gas consumption at Max/Min flow rate (G20)	m ³ /h	2,70 / 0,97
Gas consumption at Max/Min flow rate (G30)	kg/h	2,01 / 0,72
Gas consumption at Max/Min flow rate (G31)	kg/h	1,98 / 0,71
Gas supply pressure (G20)	mbar kPa	20 2
Gas supply pressure (G30/G31)	mbar kPa	29 / 37 2,9 / 3,7
TEMPERATURE - PRESSURE		
Max operating temperature	°C	85
Heating adjustment range	°C	20 ÷ 80
Domestic hot water adjustment range	°C	37 ÷ 60
Max operating pressure	bar kPa	3 300
Water content in boiler	l	3,05

(*) With minimum chimney length

(**) With maximum chimney length

Lower Heat Output (Hi):

G20 Hi. 9.45 kW/m³ (15°C, 1013 mbar) - **G30 Hi.** 12.68 kW/kg (15°C, 1013 mbar) - **G31 Hi.** 12.87 kW/kg (15°C, 1013 mbar)

5.7 Main water circuit

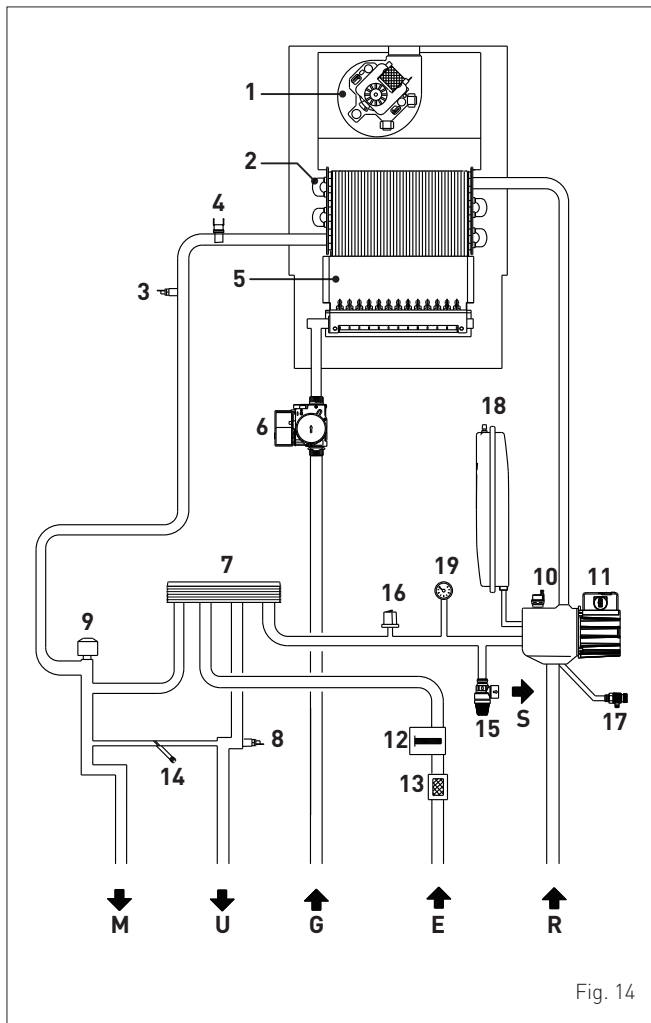


Fig. 14

KEY:

- M System delivery
- R System return
- U Domestic hot water outlet
- E Domestic hot water inlet
- SVI System relief valve drainage outlet
- G Gas supply

- 1 Fan
- 2 Heat exchanger (mono-thermal)
- 3 Safety thermostat
- 4 Delivery sensor
- 5 Combustion chamber
- 6 Gas valve
- 7 Domestic hot water heat exchanger
- 8 Domestic hot water sensor
- 9 Diverter valve
- 10 Automatic bleed valve
- 11 Pump
- 12 Domestic hot water flow meter
- 13 Domestic hot water filter
- 14 System filling
- 15 System relief valve
- 16 Water pressure switch
- 17 Boiler drain
- 18 System expansion vessel
- 19 Water pressure gauge

5.8 Sensors

The sensors installed have the following characteristics:

- heating delivery sensor NTC R25°C; 10kΩ β25°-85°C: 3435
- domestic hot water sensor NTC R25°C; 10kΩ β25°-85°C: 3435
- external sensor NTC R25°C; 10kΩ β25°-85°C: 3435

Correspondence of Temperature Detected/Resistance

Examples of reading:

TR=75°C → R=1925Ω

TR=80°C → R=1669Ω.

TR	0°C	1°C	2°C	3°C	4°C	5°C	6°C	7°C	8°C	9°C	Resistance R (Ω)
0°C	27279	26135	25044	24004	23014	22069	21168	20309	19489	18706	
10°C	17959	17245	16563	15912	15289	14694	14126	13582	13062	12565	
20°C	12090	11634	11199	10781	10382	9999	9633	9281	8945	8622	
30°C	8313	8016	7731	7458	7196	6944	6702	6470	6247	6033	
40°C	5828	5630	5440	5258	5082	4913	4751	4595	4444	4300	
50°C	4161	4026	3897	3773	3653	3538	3426	3319	3216	3116	
60°C	3021	2928	2839	2753	2669	2589	2512	2437	2365	2296	
70°C	2229	2164	2101	2040	1982	1925	1870	1817	1766	1717	
80°C	1669	1622	1577	1534	1491	1451	1411	1373	1336	1300	
90°C	1266	1232	1199	1168	1137	1108	1079	1051	1024	998	
100°C	973										

5.9 Expansion vessel

The expansion vessel installed on the boilers has the following characteristics:

(*) Conditions of:

Average operating temperature 70°C (with high temperature system 80/60°C)

Start temperature at system filling 10°C.



CAUTION

- For systems with water content exceeding the maximum system content (as indicated in the table) an additional expansion vessel must be prearranged.
- The difference in height between the relief valve and the highest point of the system cannot exceed 6 metres. If the difference is greater than 6 metres, increase the prefilling pressure of the expansion vessel and the system when cold by 0.1 bar for each meter increase.

5.10 Circulation pump

The flow-head performance curve available for the heating system is shown in the graph below.

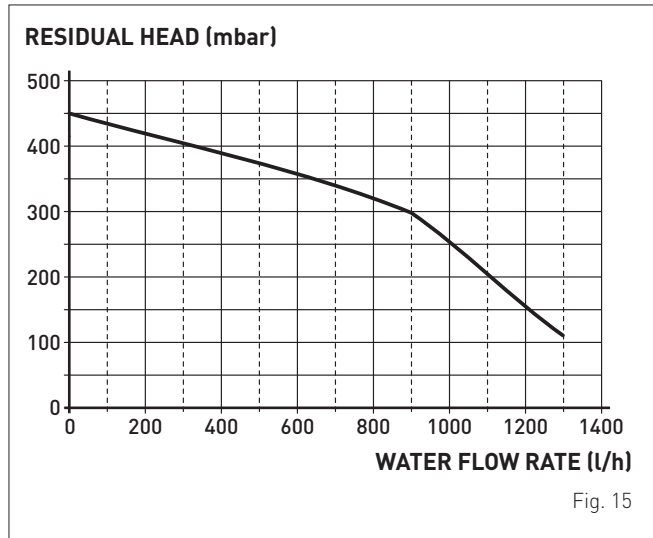


Fig. 15

5.11 Control panel

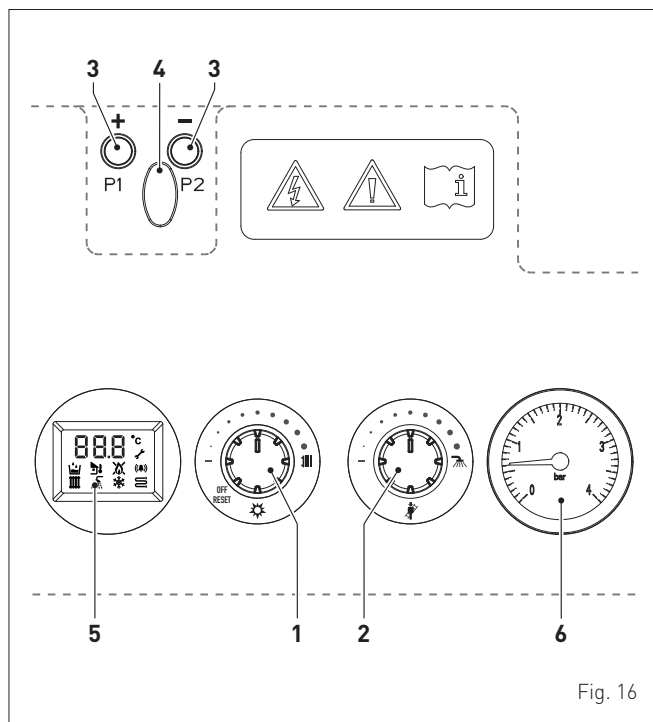


Fig. 16

1 MULTIFUNCTIONAL HEATING DIAL

During normal operation, the heating dial allows:

- "WINTER mode" (Central Heating and Domestic Hot Water) to be selected and its setpoint to be set.
- "SUMMER mode" (Domestic Hot Water only) to be selected.
- OFF** boiler off with all heat requests excluded. However the following functions are still on: anti-freeze, pump anti-seize and 3-way valve.
- RESET** unlock the system after a permanent lockout stoppage. To reset the system, turn the dial to "OFF/Reset"; wait until the "RES" message appears on the display, then turn the dial back to the previous position.

2 MULTIFUNCTIONAL DHW DIAL

During normal operation, the DHW dial allows:

- the DHW setpoint to be set.
- the "chimney sweep function" to be set.

3 SERVICE BUTTONS

- + -** Buttons **+** and **-** (service buttons) are reserved for Professionally Qualified Personnel who, with the correct procedures, described in the relevant sections, can carry out procedures to configure, adjust and calibrate the boiler-system structure.

4 SERVICE CONNECTOR

Programming connector cover plug.



CAUTION

Buttons **+**, **-** and the connector are **NOT** accessible to the user but only to Trained Technical Personnel.

5 DISPLAY



"ANTIFREEZE". The symbol is shown in Antifreeze operating mode. When the boiler is switched on, the symbol or will also appear, depending on the type of antifreeze in progress (relating to DHW or central heating).



"DOMESTIC HOT WATER". This symbol is shown during a request for DHW; it flashes while the domestic hot water set point is being selected.



"CENTRAL HEATING". This symbol stays steadily on during central heating operation; it flashes while the central heating set point is being selected.



"FLAME PRESENT". This symbol stays steadily on during burner operation, when the system detects a flame is present.



"LOCKOUT" BECAUSE NO FLAME PRESENT. This symbol stays steadily on when the system does NOT detect a flame.



"ALARM". This indicates that a fault has occurred. The presence of another symbol specifies the cause that triggered it (see paragraph "Malfunction codes and possible solutions").



"TEMPERATURE". The temperature is displayed, expressed in degrees Celsius.



"EXTERNAL SENSOR". This symbol is shown when the control board recognises an external sensor is connected. To modify the curve of the external sensor, turn the multifunctional heating dial .



"WATER PRESSURE". This symbol is shown together with the and indicates there is no water pressure in the central heating circuit.



"CHIMNEY SWEEP". This symbol is shown together with the and indicates that the Chimney sweep function should be activated.



"OVERTEMPERATURE". This symbol flashes when the system temperature reaches an excessive, and potentially dangerous, level.

6 PRESSURE GAUGE

INSTALLATION AND SERVICING INSTRUCTIONS

TABLE OF CONTENTS

6	INSTALLATION	20	7	COMMISSIONING	31
6.1	Receiving the product	20	7.1	Preliminary operations	31
6.2	Dimensions and weight	20	7.2	Before commissioning	31
6.3	Handling	20	7.3	Parameter setting and display	32
6.4	Installation room	21	7.4	List of parameters	33
6.5	New installation or installation of a replacement appliance	21	7.5	Display alarms/faults that have occurred	33
6.6	Cleaning the system	21	7.6	Checks and adjustments	33
6.7	Water system treatment	22	7.6.1	<i>Chimney sweep function and gas valve calibration</i>	33
6.8	Boiler installation	22	7.7	Gas conversion	36
6.9	Plumbing connections	22	8	MAINTENANCE	38
6.9.1	<i>Plumbing accessories (optional)</i>	22	8.1	Adjustments	38
6.10	Thermal insulation of pipes	23	8.2	External cleaning	38
6.11	Gas supply	23	8.2.1	<i>Cleaning the cladding</i>	38
6.12	Smoke outlet and combustion air inlet	23	8.3	Cleaning the inside of the appliance	38
6.12.1	<i>Coaxial duct (Ø 60/100mm and Ø 80/125mm)</i>	25	8.3.1	<i>Cleaning the heat exchanger</i>	38
6.12.2	<i>Separate ducts (Ø 80mm)</i>	25	8.3.2	<i>Cleaning the burner</i>	39
6.13	Electrical connections	27	8.3.3	<i>Checking the ignition/detection electrode</i>	39
6.13.1	<i>External temperature sensor</i>	28	8.3.4	<i>Final operations</i>	39
6.13.2	<i>Chrono-thermostat or Room Thermostat</i>	28	8.4	Checks	39
6.13.3	<i>EXAMPLE of use of the command/control device on some types of heating systems</i>	28	8.4.1	<i>Checking the smoke duct</i>	39
6.14	Refilling or emptying	29	8.4.2	<i>Checking the expansion vessel pressure</i>	39
6.14.1	<i>REFILL operations</i>	29	8.5	Unscheduled maintenance	39
6.14.2	<i>EMPTYING operations</i>	30	8.6	Malfunction codes and possible solutions	40

6 INSTALLATION



CAUTION

The appliance must only be installed by the **Sime** Technical Service or by qualified professionals **who MUST wear** suitable protective safety equipment.

6.1 Receiving the product

GO BF appliances are delivered in a single unit protected by cardboard packaging.

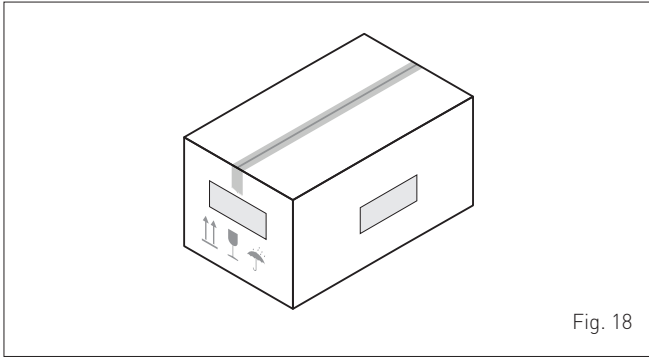


Fig. 18

The plastic bag found inside the packaging contains the following:

- Installation, use and maintenance manual
- Paper template for boiler installation
- Hydrostatic test certificate
- Diaphragm
- Bag with expansion plugs



PROHIBITION

Do not leave packaging material around or near children since it could be dangerous. Dispose of it as prescribed by legislation in force.

6.2 Dimensions and weight

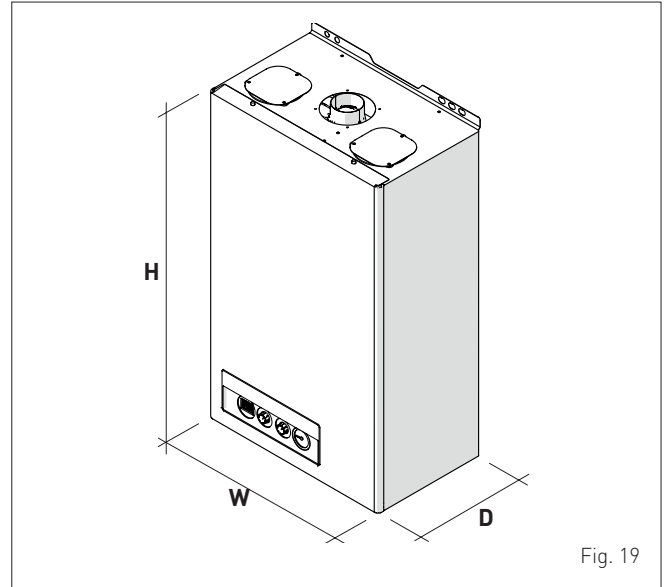


Fig. 19

Description	GO BF
	18/25
W (mm)	420
D (mm)	255
H (mm)	700
Weight (kg)	28

6.3 Handling

Once the packaging has been removed, the appliance is moved manually by tilting and lifting it, gripping the "solid" parts such as the base and structure as indicated in the figure.

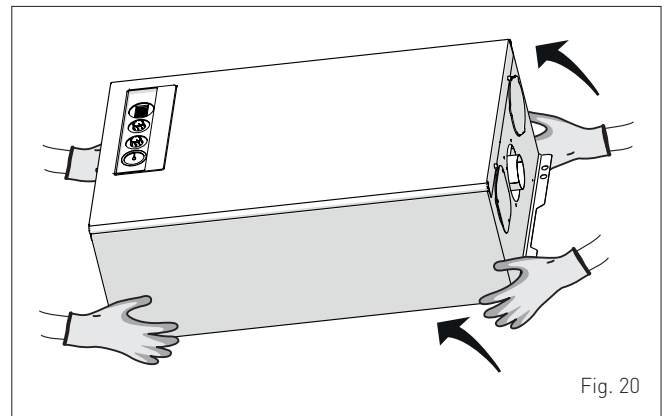


Fig. 20



WARNING

Use suitable tools and accident protection when removing the packaging and when handling the appliance. Observe the maximum weight that can be lifted per person.

6.4 Installation room

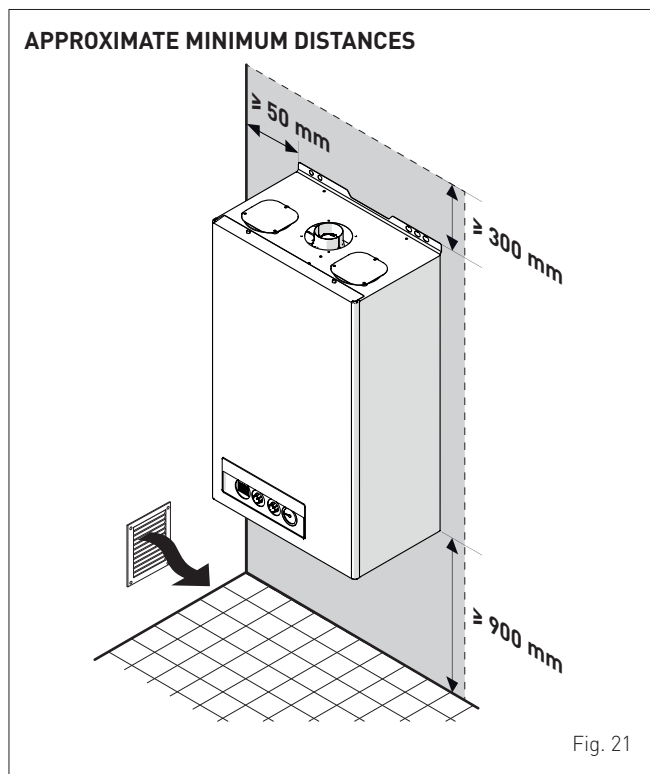
The room where the appliance is to be installed must comply with all applicable technical and legal regulations. It must be equipped with suitably sized vents for a "TYPE B" installation. Moreover, it must be made in a way that prevents noise as far as possible during the appliance's operation.

The minimum temperature of the installation room must NOT be lower than $-5\text{ }^{\circ}\text{C}$.



CAUTION

- Make sure that the appliance is protected against direct sunlight, the weather and damp and wet conditions.
- Before assembling the appliance, the installer **MUST** make sure that the wall supports the weight.
- Remember to consider the space needed in order to access the safety/adjustment devices and to carry out maintenance interventions (see Fig. 21).



CAUTION

- For **boilers with coaxial flue ducts**, it is not necessary to maintain minimum distances from flammable walls, as during normal operation of the boiler, the temperature of the duct never reaches high levels (the temperature difference between the wall and the environment never exceeds 60 K).
- For **boilers with separate intake and exhaust ducts**, in the case of flammable walls and penetrations, an insulating protection should be placed between the wall and the flue duct.

6.5 New installation or installation of a replacement appliance

When **GO BF** boilers are installed in new systems or replace existing systems, it is advisable to check that:

- the connecting flue pipe is suitable for the combustion temperature of the appliance, calculated and manufactured in compliance with applicable standards, that it is as straight as possible, air-tight, isolated, free of obstructions or restrictions and that it has appropriate condensate collection and evacuation systems
- the electrical system has been manufactured in compliance with specific standards and by professionally qualified personnel
- the fuel delivery line and the tank (LPG) comply fully with specific standards
- the expansion vessel ensures total absorption of the fluid dilatation in the system
- the pump flow-head performance is sufficient for the system characteristics
- the system is clean, free of any sludge, deposits, de-aerated and air-tight. For system cleaning, please refer to the relevant paragraph
- the installer has mounted, on the system filling line, a check system to prevent non-drinkable water from flowing back into the water supply line.



CAUTION

The manufacturer declines all liability for any damage caused by an incorrect implementation of the smoke outlet or for an excessive use of additives.

6.6 Cleaning the system

Before installing the appliance on a newly constructed system or replacing a heat generator on an existing system, it is important that the system is thoroughly cleaned to remove sludge, slag, dirt, residue etc.

Before removing an old heat generator from an existing system, it is recommended that the user:

- puts a descaling additive into the water system
- allows the system to work with the generator active for a few days
- drains the dirty water from the system and flushes the system with clean water once or more than once.

If the old generator has already been removed or is not available, replace it with a pump to circulate water in the system and then proceed as described above.

Once cleaning operations have been carried out and before installing the new appliance, it is recommended that a fluid is added to the water system to protect it from corrosion and deposits.



CAUTION

- For further information on the type of additive and usage, please contact the appliance manufacturer.
- Please remember that you **MUST** install a Y filter, not supplied with the appliance, on the heating system return (R).
- It is advisable to install a defangator, not included with the appliance, upstream of the Y filter to collect and separate impurities in the system.

6.7 Water system treatment

When filling and restoring the system it is good practice to use water with:

- aspect: clear if possible
- pH: 6÷8
- hardness: < 25°f.

If the water characteristics are different from those indicated, it is recommended that a safety filter is used on the water delivery pipe to retain impurities, and a chemical treatment system to protect against possible deposits and corrosion which could affect boiler operation.

If the systems are only low temperature systems, it is recommended that a product is used to prevent the development of bacteria.

In any case, please refer to and comply with the legislation and specific technical standards in force in the country where the appliance will be used.

6.8 Boiler installation

GO BF boilers leave the factory with a paper template for installation onto a solid wall.

For installation:

- position the paper template (1) on the wall (2) where the boiler is to be mounted
- make the holes and insert the expansion plugs (3)
- hook the boiler onto the plugs.

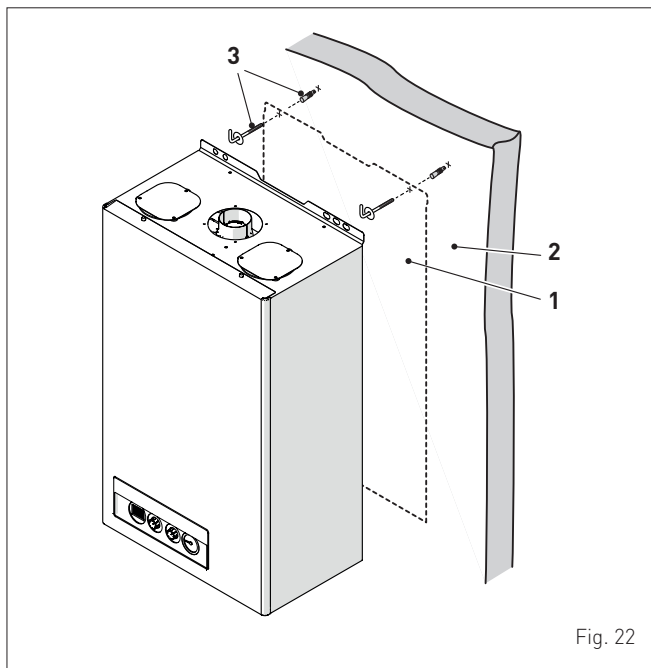


Fig. 22



CAUTION

The height of the boiler is to be such that disassembly and maintenance interventions are facilitated.



CAUTION

It is important that the device is perfectly vertical and horizontal. Use a spirit level or other suitable tool to check that it is perfectly vertical and horizontal. Where necessary, insert suitable spacers to install the unit in the correct working position.

6.9 Plumbing connections

The plumbing connections have the following characteristics and dimensions.

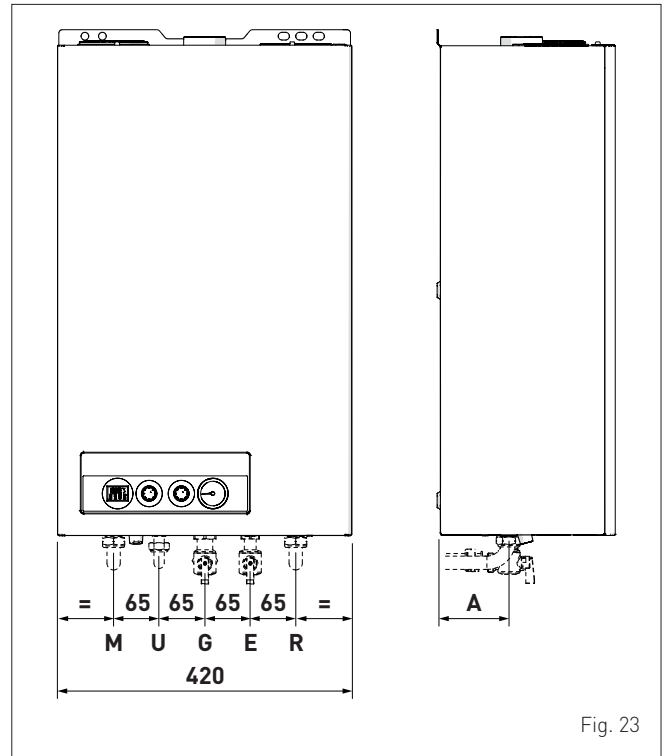


Fig. 23

Description	GO BF
	18/25
M - System delivery	Ø 3/4" G
R - System return	Ø 3/4" G
U - Domestic hot water output	Ø 1/2" G
E - Domestic hot water inlet	Ø 1/2" G
G - Gas supply	Ø 3/4" G
A (mm)	101



WARNING

The discharge outlet of each safety valve installed must be connected to an appropriate collection and evacuation system. The manufacturer shall not be held liable for any flooding or damages to electrical equipment caused by the safety valve's intervention.

6.9.1 Plumbing accessories (optional)

To facilitate plumbing and gas connections to the systems, the accessories as shown in the table below are available and are to be ordered separately from the boiler.

DESCRIPTION	CODE
Installation plate	8075448
Curve kit	8075428
Cocks kit	8091806
Wall mount replacement kit for other makers	8093900
Polyphosphate dosing kit	8101700
Dosing recharge kit	8101710

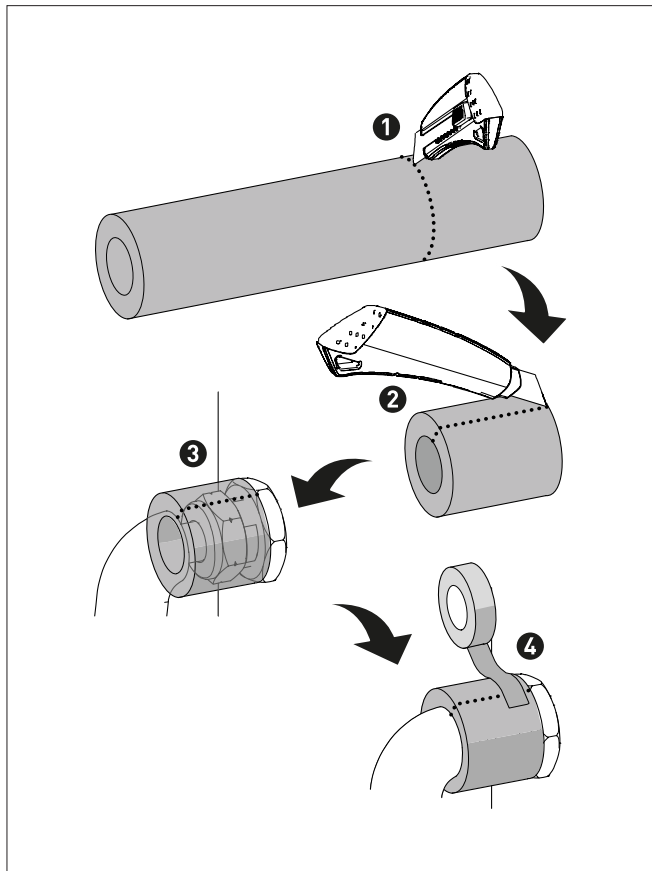
NOTE: kit instructions are supplied with the accessory itself or are to be found on the packaging.

6.10 Thermal insulation of pipes



CAUTION

Once the installation operations have been completed, the exposed parts of pipes and fittings must be isolated using a suitably sized thermal insulation pipe.



6.11 Gas supply

GO BF boilers leave the factory specifically prearranged for G20 gas or G30/G31. The G20 models can be converted to function with G30/G31 using the "specific nozzle kit" (optional) provided by **Sime** on request separately from the boiler. If changing the type of gas to be used, carry out the entire "**GAS CONVERSION**" phase of the appliance.

The boiler must be connected to the gas mains in full compliance with the installation standards in force in the country where the appliance will be used.

Before connecting the boiler to the gas mains, the user must ensure that:

- the type of gas is correct for the appliance
- the pipes are clean
- the gas supply pipe is the same size as or larger than the boiler fitting (G 3/4"), which guarantees the minimum dynamic pressure shown in section "**Checks and adjustments**".



WARNING

Once installation has been completed, check that the joints are air tight as indicated in the installation Standards.



CAUTION

It is recommended that the gas line has a suitable filter.



CAUTION

If the gas supply is changed from G20 to G30 or G31, mark the box on the TECHNICAL DATA PLATE.

G30 - 30 mbar



Or:

G31 - 37 mbar



6.12 Smoke outlet and combustion air inlet

GO BF boilers must be equipped with appropriate smoke flue ducts and combustion air inlet ducts. These ducts are considered an integral part of the boiler and are provided by **Sime** as an accessory kit, to be ordered separately from the appliance on the basis of the type permitted and the system requirements.



WARNINGS

- The smoke flue and the connection to the flue pipe must be in compliance with the national and local standards and legislation in force in the country where the appliance will be used.
- The use of rigid ducts which are resistant to temperature, condensate, mechanical stress and are air-tight is compulsory.
- Outlet ducts which are not isolated are a risk of danger.
- The flue ducts can be made of aluminum or stainless steel.

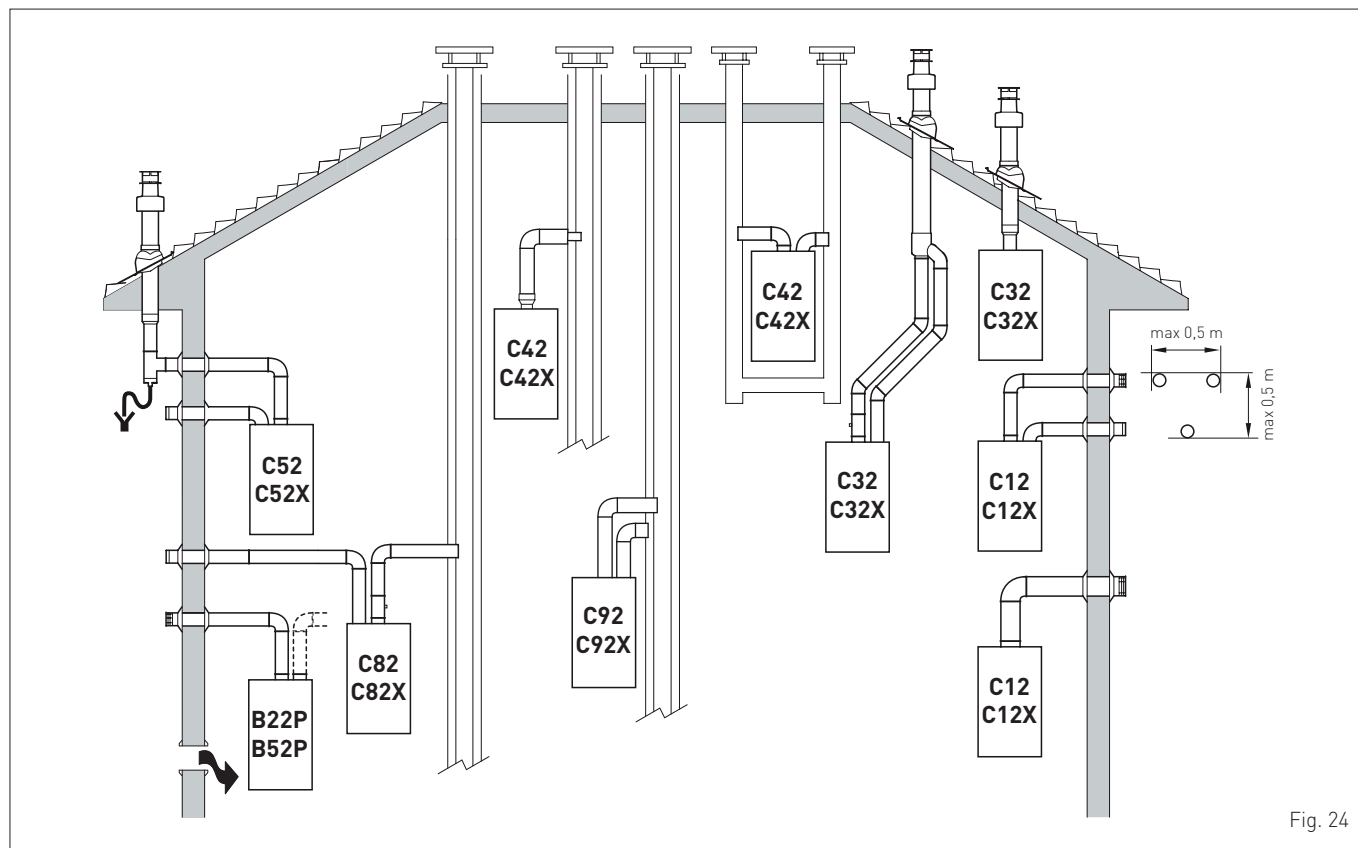
Permitted types of exhausts and ducts


Fig. 24

Outlet	Description	Coaxial duct		Separate ducts		
		Ø 60/100	Ø 80/125	Ø 80	Ø 60	Ø 50
B22P-B52P	Combustion air inlet into the atmosphere and smoke outlet to open air. NOTE: opening for combustion air (6 cm ² x kW)			X		
C12-C12X	Device designed for connection via its ducts to a horizontal terminal, allowing for simultaneous intake of combustion air and exhaust of flue gases through concentric openings or openings that are close enough [* Qn Max < 70 kW = within 50 cm, Qn Max > 70 kW = within 100 cm] to be affected by similar wind conditions.	X	X	X		
C32-C32X	Device designed for connection via its ducts to a roof terminal, allowing for simultaneous intake of combustion air and exhaust of flue gases through concentric openings or openings that are close enough [* Qn Max < 70 kW = within 50 cm, Qn Max > 70 kW = within 100 cm] to be affected by similar wind conditions.	X	X	X		
C42-C42X	Exhaust and intake in separate common flue pipes but exposed to similar wind conditions. Type C4 boilers are suitable for connection to a natural draught pipe, with a maximum negative pressure of 0,5 mbar. The temperature of overheated combustion by-products is 98°C	X	X	X		
C52-C52X	Separate wall or roof inlet and outlet in different pressure areas. NOTE: the inlet and outlet must never be positioned on opposing walls.			X		
C82-C82X	Exhaust in a single or common flue pipe and intake through the wall. Type C8 boilers are suitable for connection to a natural draught pipe, with a maximum negative pressure of 2 mbar. The temperature of overheated combustion by-products is 98°C			X		
C92-C92X	Separate outlet and inlet in a shared flue pipe. Minimum gauge of the combustion air pipe: Ø 60 mm			X		
C62-C62X	Outlet and inlet made from pipes which are sold and certified separately. The temperature of overheated combustion by-products is 98°C. The maximum allowed recirculation is 10% compared to the nominal CO ₂ indicated in the table "Technical features". The outlet and inlet must never be positioned on opposing walls. The appliance cannot be connected to a common flue that works under positive pressure conditions.					

P: smoke outlet system designed to operate with positive pressure.

X: appliances and related smoke exhausts installed.

All the measurements are in mm.

6.12.1 Coaxial duct (Ø 60/100mm and Ø 80/125mm)

Coaxial accessories

Description	Code	
	Ø 60/100 mm	Ø 80/125 mm
Coaxial duct kit	8084813	8084830
Extension W. 1000 mm	8096103	8096130
Extension W. 500 mm	8096102	-
Vertical extension W. 200 mm with smoke analysis take-off point	8086908	-
Adapter for Ø 80/125 mm	-	8093120
Additional 90° curve	8095801	8095820
Additional 45° curve	8095900	8095920
Tile with joint	8091300	8091300
Roof outlet terminal W. 1284 mm	8091200	8091200
Vertical condensation recovery W. 200 mm	8092803	8092803

Load loss - Equivalent lengths

Model	Leq (linear metres)	
	Ø 60/100 mm	Ø 80/125 mm
90° curve	1	1
45° curve	0,5	0,8

Minimum-Maximum Lengths

Model	Duct Length Ø 60/100				Duct Length Ø 80/125			
	W Horizontal (m)		H Vertical (m)		W Horizontal (m)		H Vertical (m)	
	Min.	Max.	Min.	Max.	Min.	Max.	Min.	Max.
GO 18/25-BF	-	3,0	1,3 (*)	4,0	3,5	5,5	4,0	6,0



CAUTION

(*) Vertical condensate recovery MUST be introduced for vertical ducts (Type C32) or vertical sections of the duct (Type C42) longer than 1.3m.

Diaphragms for coaxial ducts

Boilers leave the factory provided with a diaphragm (1) with the following characteristics:

- GO 18/25- BF: diaphragm Ø 81 mm

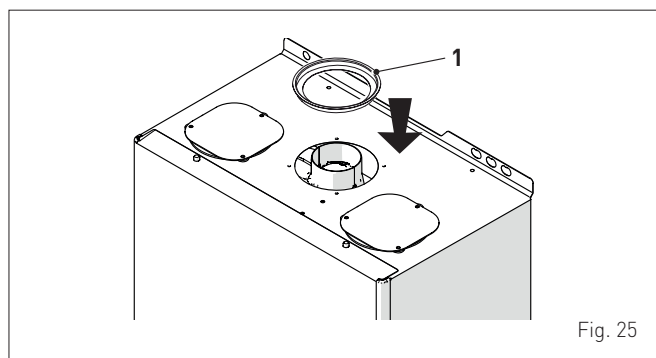


Fig. 25

When the outlets are **Type C12** or **C42** the diaphragm is to be removed or kept following the indications below:

Model	Diaphragm	for duct L
GO 18/25- BF	SI (fit it)	< 1 m
GO 18/25- BF	NO (do not use)	> 1 m

When the outlet is **Type C32** (vertically straight without any curves), the presence of the diaphragm modifies the maximum length of the duct as shown below:

Model	Diaphragm	Max L (m)
GO 18/25- BF	SI	1,5
	NO	4,0

6.12.2 Separate ducts (Ø 80mm)

Constructing outlets for separate ducts requires the use of kit code 8089915. This is to be ordered separately from the boiler and when connected to the other accessories, to be chosen from those listed in the table, completes the flue gas outlet/ combustion air inlet assembly.

The total maximum length obtained from the length of the outlet and inlet pipes is determined by the load loss of the individual accessories and must not be greater than 9 mm H₂O for **GO 18/25- BF**.

Separate accessories

Description	Code
	Diameter Ø 80 (mm)
Separate ducts kit (flue gas outlet flange, suction cup and segmented diaphragm) GO 18/25- BF	8089915
90° curve M-F (6 pieces)	8077410
90° curve M-F (with take-off point)	8077407
90° curve M-F (insulated)	8077408
Extension W. 1000 mm (6 pieces)	8077309
Extension W. 1000 mm (insulated)	8077306
Extension W. 500 mm (6 pieces)	8077308
Extension W. 135 mm (with take-off point)	8077304
Wall outlet terminal	8089501
Internal and external ring nut kit	8091500
Inlet terminal	8089500
45° curve M-F (6 pieces)	8077411
Condensate recovery W. 135 mm	8092800
Manifold	8091400
Tile with joint	8091300
Roof outlet terminal W. 1390 mm	8091201
Condensate recovery Tee	8093300
Inlet/outlet fitting Ø 80/125 mm	8091401

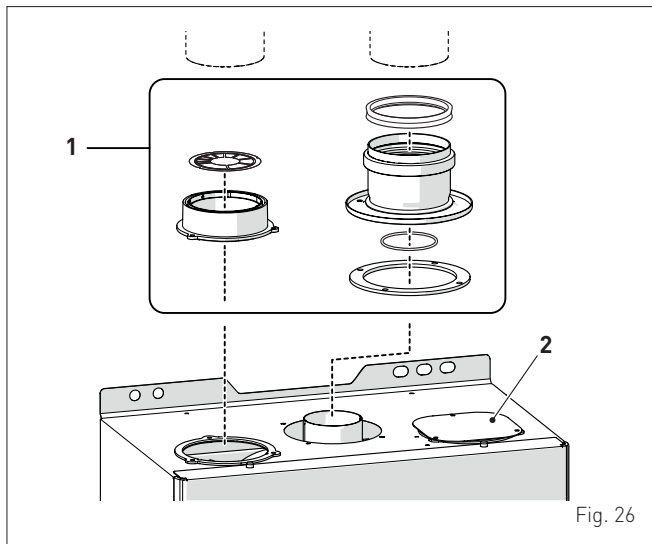


Fig. 26

KEY:

- 1 Separate duct kit Ø80
- 2 Air inlet stopper

Load loss accessory Ø 80 mm

Description	Code	Load loss (mm H ₂ O)	
		GO 18/25- BF	
		Inlet	Outlet
90° curve MF	8077410	0,35	0,40
45° curve MF	8077411	0,30	0,35
Horizontal extension W. 1000 mm	8077309	0,20	0,30
Vertical extension W. 1000 mm	8077309	0,20	0,10
Wall terminal	8089501	0,15	0,50
Condensate recovery Tee	8093300	-	0,80
Roof outlet terminal (*)	8091200	1,60	0,10

(*) The losses of the roof outlet terminal at inlet include the manifold code 8091400.

NOTE: for the boiler to operate correctly it is necessary that a minimum distance of 0.50 m of the duct is respected with a 90° inlet curve.

Example: calculation of the load loss of a **GO 18/25- BF** boiler.

Accessories Ø 80 mm	Code	Quantity	Load loss (mm H ₂ O)		
			Inlet	Outlet	Total
Extension W. 1000 mm (horizontal)	8077309	7	7 x 0,2	-	1,40
Extension W. 1000 mm (horizontal)	8077309	7	-	7 x 0,3	2,10
90° curve	8077410	2	2 x 0,35	-	0,70
90° curve	8077410	2	-	2 x 0,4	0,80
Wall terminal	8089501	2	0,15	0,5	0,65
TOTAL					5,65

(installation permitted since the total of the load loss of the accessories used is less than 9,0 mmH₂O).

With this total load loss, sections (2) to 1 (inclusive) must be removed from the inlet diaphragm 6.

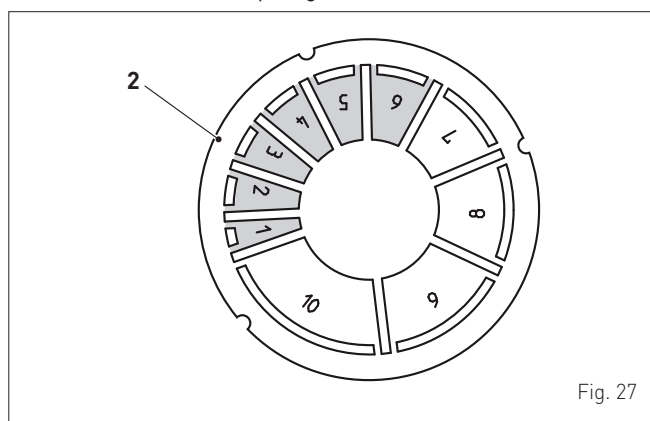


Fig. 27

No. of sections to be removed	Total load loss (mm H ₂ O)
	GO 18/25- BF
None	0 ÷ 2,0
1	2,0 ÷ 3,0
1 ÷ 2	3,0 ÷ 4,0
1 ÷ 3	-
1 ÷ 4	4,0 ÷ 5,0
1 ÷ 5	-
1 ÷ 6	5,0 ÷ 6,0
1 ÷ 7	6,0 ÷ 7,0
1 ÷ 8	-
1 ÷ 9	7,0 ÷ 8,0
1 ÷ 10	-
Entire diaphragm	8,0 - 9,0 (*)

(*) Maximum load loss permitted.

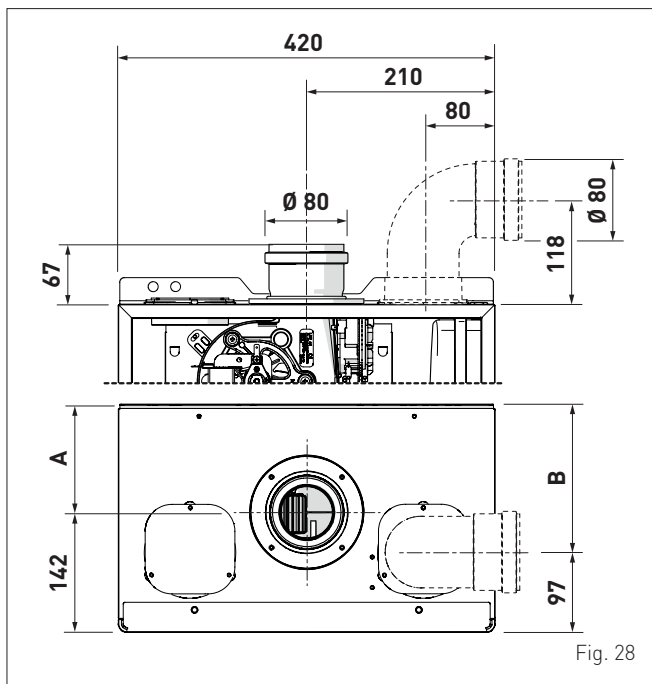


Fig. 28

Description	GO 18/25- BF
A (mm)	120
B (mm)	165

6.13 Electrical connections

The power cable must be connected to a 230V ($\pm 10\%$) ~ 50 Hz power grid, observing L-N polarity and the earth connection. The line must be equipped with an omnipolar switch with Class III overvoltage category, in compliance with the installation rules.

If this cable needs to be replaced, an original spare must be requested from **Sime**.

Therefore only the connections of the original components as shown in the table are needed. These are to be ordered separately from the boiler.

DESCRIPTION	CODE
External sensor kit ($\beta=3435$, NTC 10KOhm at 25°C)	8094101
Remote control EASY HOME	8092279



CAUTION

The maintenance interventions described must **ONLY** be carried out the professionally qualified personnel.



CAUTION

It is compulsory:

- to use an omnipolar cut-off switch, disconnect switch, in compliance with EN standards (contact opening of at least 3 mm)
- the system's power connection is of the "Y" type, so the power cable may only be replaced by the manufacturer or the service department
- to connect the earth wire to an effective earthing system
- keep the power cables always separate from the signal cables. To avoid interference problems, always use shielded signal cables
- that before any intervention on the boiler, the mains power is disconnected by setting the main system switch to "OFF".



CAUTION

The manufacturer is not responsible for any damage caused by failure to earth the appliance or failure to observe the information provided in the wiring diagrams.



PROHIBITION

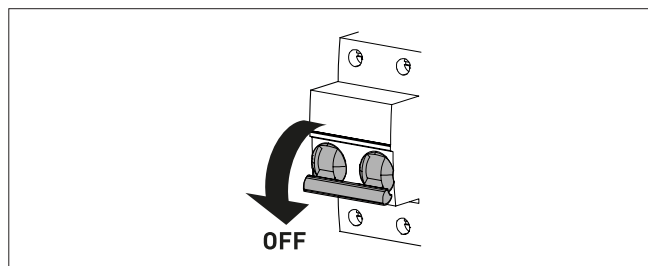
Do not use water pipes for earthing the appliance.



WARNING

Before carrying out any interventions described:

- set the main system switch to "OFF"
- close the gas valve
- make sure that no hot parts inside the appliance are touched.



To facilitate introduction of the connection wires of the optional components into the boiler:

- remove the screws (1), pull the front panel (2) forwards and release it from the top by lifting it

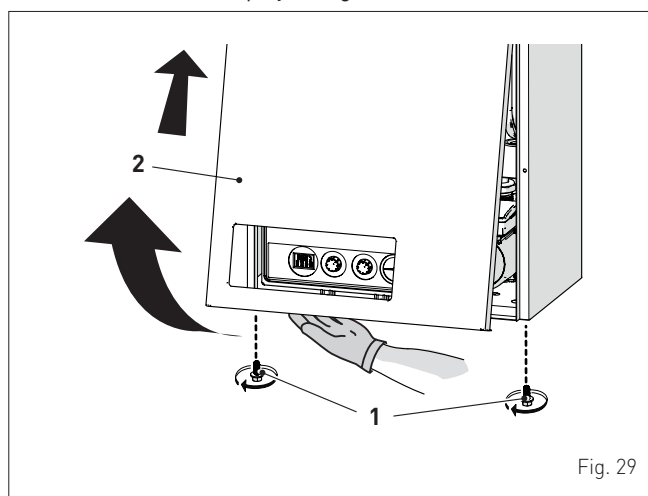
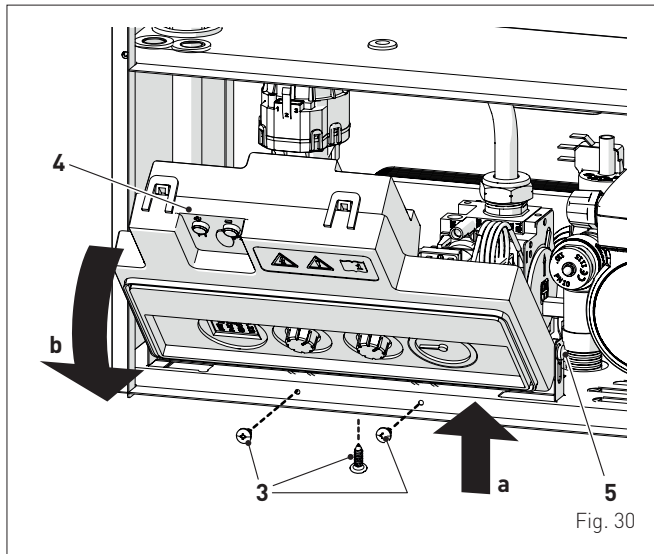
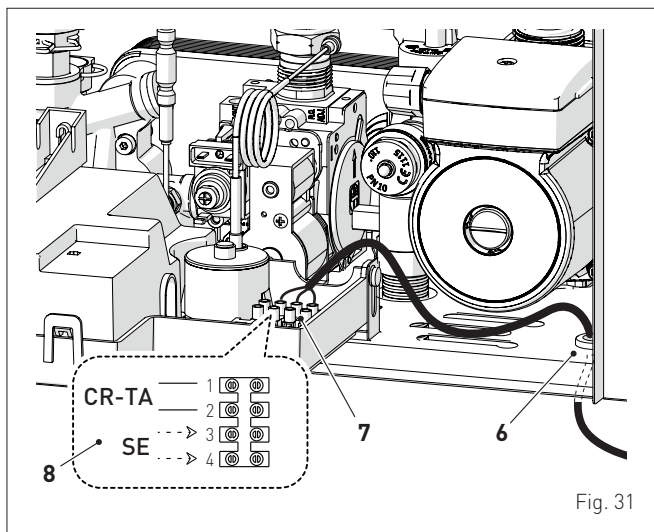


Fig. 29

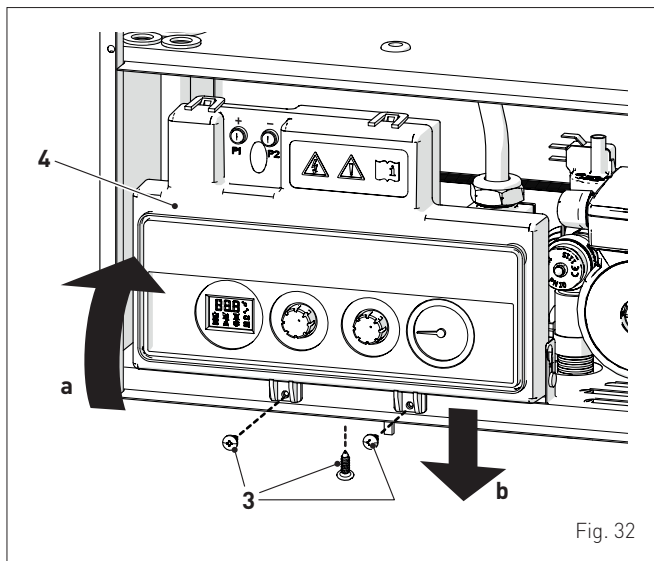
- remove the screws (3) securing the control panel (4)
- move the panel (4) upwards (a) but keeping it in the side guides (5) to the end of travel
- bring it forwards and down (b) until it is horizontal



- insert the connection wires into the cable gland (6)
- connect the component's wires to the terminal board (7) following the instructions shown on the data plate (8)



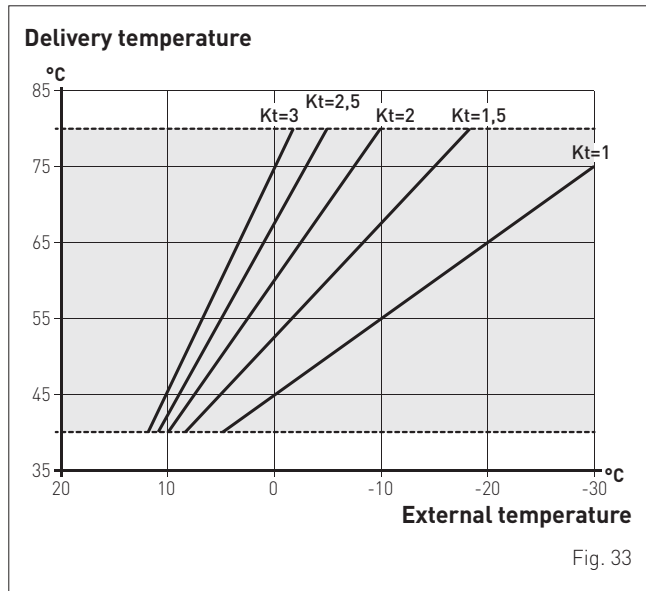
- bring the control panel (4) to the original position and secure it with the screws (3) which were removed previously.



6.13.1 External temperature sensor

The boiler is prearranged for connection to an external air temperature sensor and can operate with a sliding temperature. This means that the delivery temperature sent to the boiler can vary on the basis of the external temperature depending on the climatic curve selected from those shown in the diagram (Fig. 33). The climatic curve is set by changing parameter "ts 0.4". When fitting the sensor on the outside of the building, follow the instructions provided on the packaging of the product itself.

Climatic curve



CAUTION

Where there is an external sensor, the temperature setpoint that can be set for central heating is dependent on the external temperature detected by the sensor and by the "Kt" factor set using parameter "ts 0.4". Turn the multifunctional heating dial IIII to change the setpoint calculated by moving its value by + or - 13°C. If the dial is in the OFF position, the external temperature will be displayed in °C.

6.13.2 Chrono-thermostat or Room Thermostat

The electrical connection of the chrono-thermostat or room thermostat has already been described. When fitting the component in the room where the readings are to be taken, follow the instructions provided on the packaging of the product itself.

6.13.3 EXAMPLE of use of the command/control device on some types of heating systems

KEY	
CR	Remote control
SE	External temperature sensor
TA	Room thermostat
TZ1÷TZ3	Zone room thermostat
EVZ1÷EVZ3	Zone solenoid valve
KA1÷KA3	Zone relays
PI1÷PI3	System pump
SP	Hydraulic separator

ONE DIRECT ZONE system , external sensor and room thermostat.

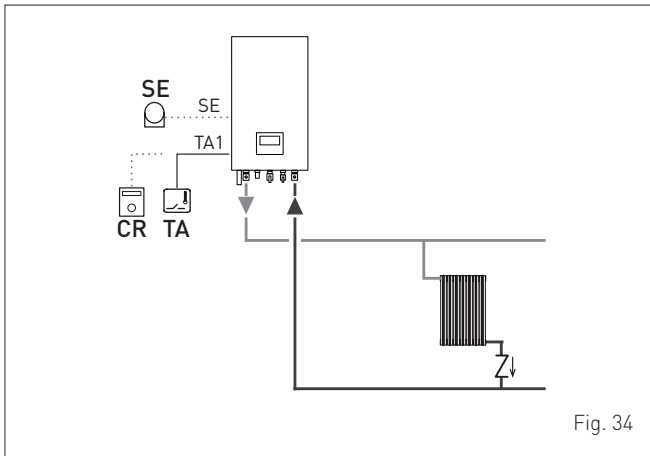


Fig. 34

MULTI ZONE system - with zone valve, room thermostat and external sensor.

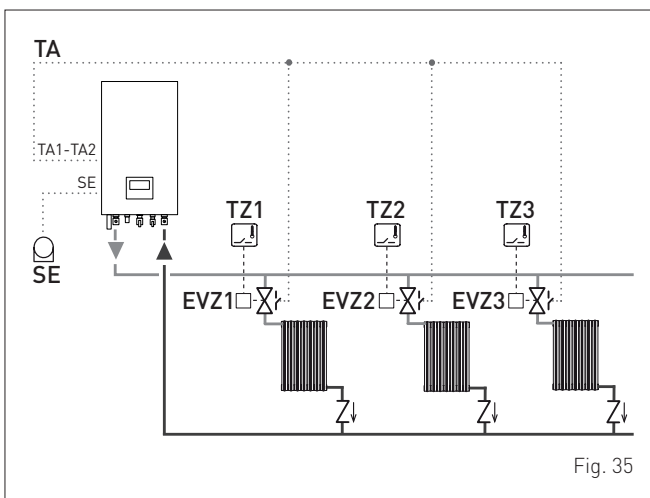


Fig. 35

MULTI ZONE system - with pump, room thermostat and external sensor.

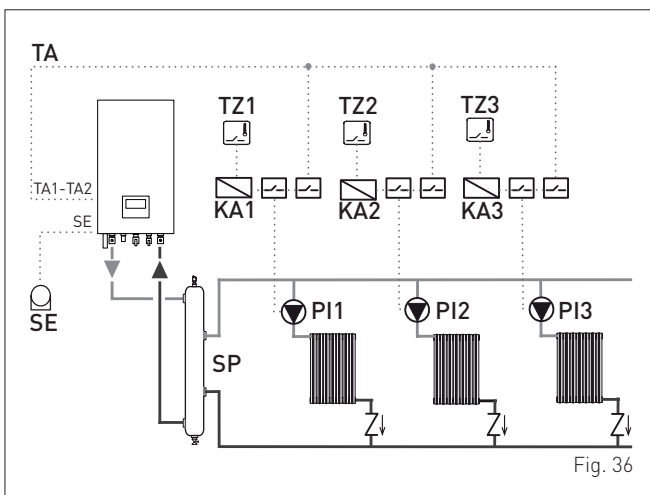
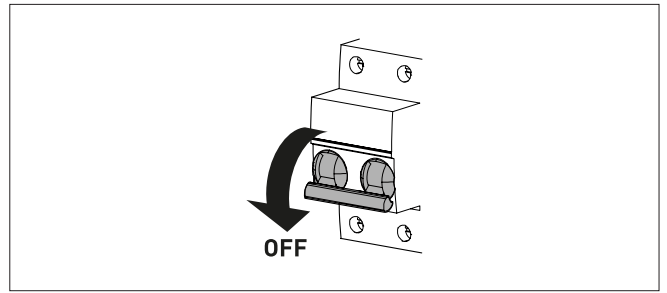


Fig. 36

NOTE: The central heating for the first zone is set with the remote control, while for the other zones the boiler panel is used. If there is a request for heat at the same time, the boiler comes on at the highest temperature set.

6.14 Refilling or emptying

Before carrying out the operation described below, make sure that the main system switch is set to "OFF".



6.14.1 REFILL operations

Remove the front panel:

- remove the two screws (1), pull the front panel (2) forwards and release it from the top by lifting it.

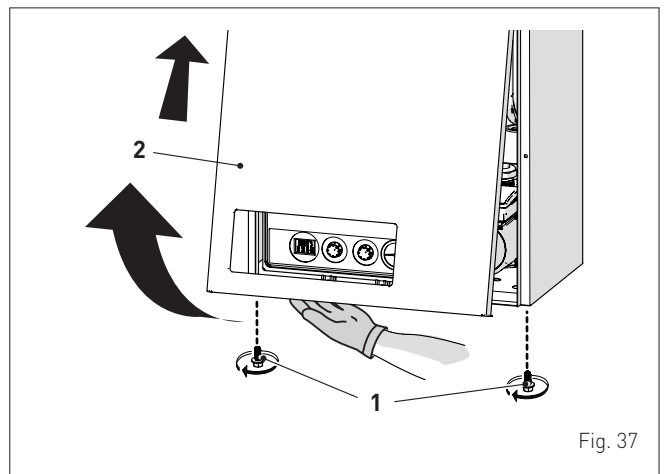


Fig. 37

Domestic hot water circuit:

- open the isolation valves of the domestic hot water circuit (if present)
- open one or more than one hot water valve to fill and bleed the domestic hot water circuit
- once bleeding has been completed, close the hot water valves.

Heating circuit:

- open the isolation and air bleeding valves in the highest points of the system
- loosen the automatic bleed valve (3)
- open the isolation valves of the heating circuit (if present)
- open the filling valve (4) and fill the heating system until a pressure of **1-1.2 bar** is shown on the pressure gauge (5)
- close the filling valve (4)
- check that there is no air in the system by bleeding all the radiators and the circuit on the high points of the system
- remove the front plug (6) of the pump and use a screwdriver to check that the impeller is not blocked
- replace the plug (6)

6.14.2 EMPTYING operations

Domestic hot water circuit:

- close the domestic hot water circuit isolation valve (prearranged in installation)
- open one or more than one hot water valve to fill and bleed the domestic hot water circuit.

Boiler:

- loosen the automatic bleed valve (3)
- close the heating circuit isolation valves (prearranged in installation)
- check that the filling valve (4) is shut-off
- connect a rubber hose to the boiler drain valve (7) and open it
- when it has fully emptied, close the drain valve (7)
- close the automatic bleed valve (3).

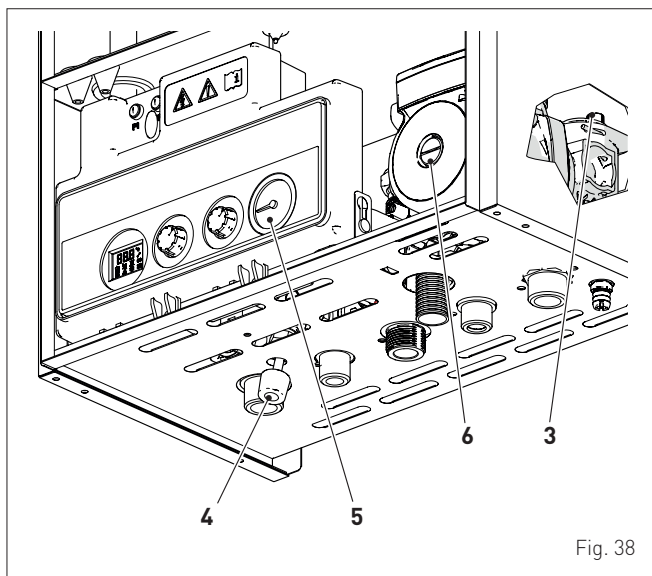


Fig. 38

NOTE: to completely remove all air from the system, it is recommended that this operation is repeated a number of times.

- check the pressure on the pressure gauge (5) and if necessary top up until the correct pressure reading appears
- close the automatic bleed valve (3).

Refit the front panel of the boiler hooking it on at the top, pushing it forwards and securing it with the screw (1) which was removed previously.

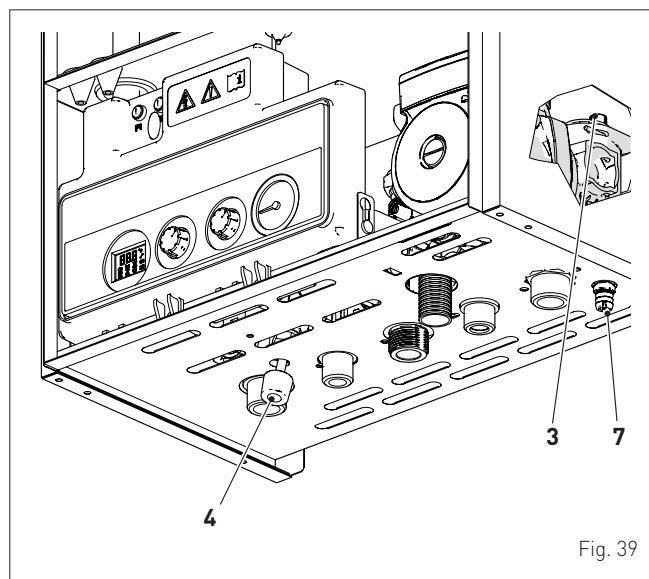


Fig. 39

7 COMMISSIONING

7.1 Preliminary operations



WARNING

- Should it be necessary to access the areas in the bottom part of the appliance, make sure that the system components and pipes are not hot (risk of burning).
- Before replenishing the heating system, put on protective gloves.

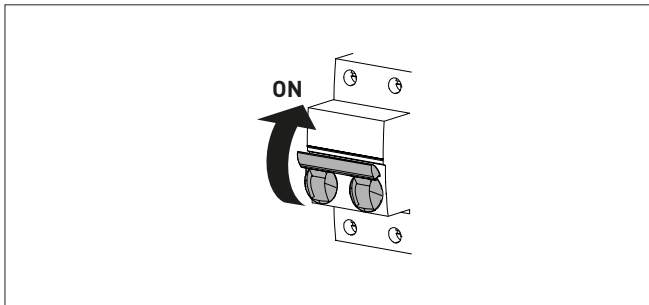
Before commissioning the appliance, check that:

- the type of gas is correct for the appliance
- the gas isolation valves for the heating system and the water system are open
- the system pressure as shown on the pressure gauge when the system is cold, is between **1 and 1.2 bar**
- the pump impeller rotates freely.

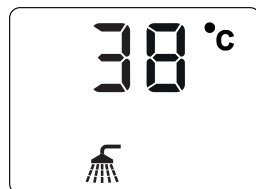
7.2 Before commissioning

After having carried out the preliminary operations, perform the following to start the boiler:

- set the main system switch to "ON"



- the display is backlit and shows:
 - the type of gas, "nG" (methane G20) or "LPG"
 - the firmware version
 - the heat output and the correct representation of the symbols
- lastly, the display shows the delivery temperature (e.g. 18°C), if it's in central heating mode, or the DHW output temperature (e.g. 38°C) if it's in DHW mode



- turn the multifunctional heating dial to select the ("SUMMER mode")
- open one or more than one hot water tap. The boiler will work at maximum power until the taps are closed. The temperature of the domestic hot water detected at that moment will appear on the display.

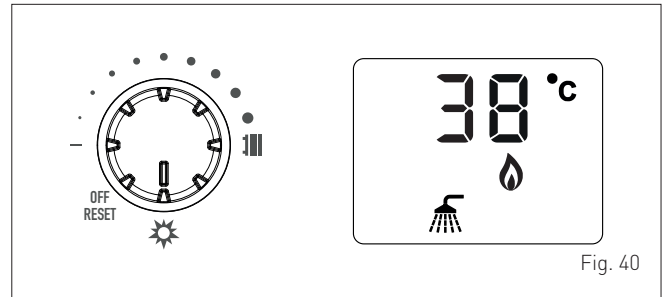


Fig. 40

- if there is a fault, the message "E" will appear on the display, followed by the fault code (e.g. "01" - no flame detected)



CAUTION

In the event of a lockout, to reset the start conditions, turn the multifunctional heating dial to **RESET**; wait until the "RES" message appears on the display, then turn the dial back to the previous position. This operation can be carried out no more than 5 times.

- close the taps opened previously and check that the appliance shuts down
- to select "WINTER mode", turn the multifunctional heating dial to the desired setpoint. This sets the delivery temperature of the boiler. The value can be set to between 20°C and 80°C

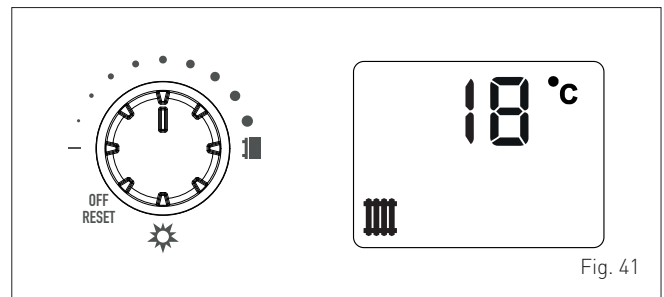


Fig. 41

- adjust the room thermostat and check that the boiler starts and operates correctly



CAUTION

To check that the pressures in the network and at the nozzles are correct, it is necessary to carry out the procedure described in section "**Chimney sweep function and gas valve calibration**".

7.3 Parameter setting and display


CAUTION

Displaying and setting the parameters can **ONLY** be carried out by the authorised technical support centre or by professionally qualified personnel.

To go into the parameter menu:

- remove the two screws (1), pull the front panel (2) forwards and release it from the top by lifting it

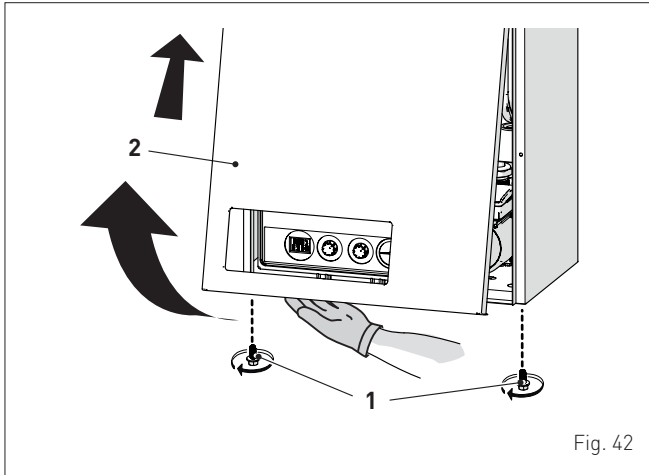



Fig. 42

- turn dial  to OFF

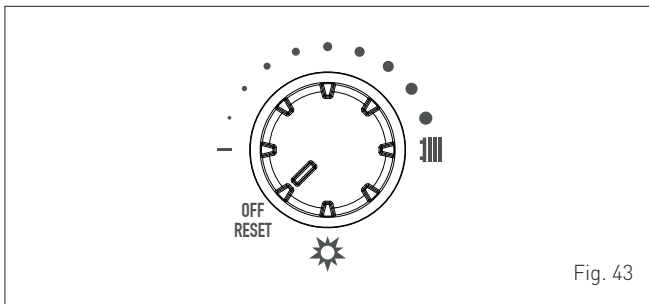
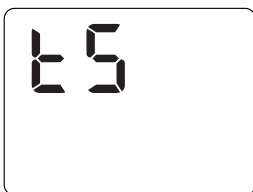
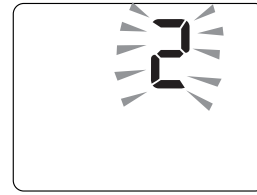


Fig. 43

- press **+** and **-** at the same time for at least 5 seconds until the screen displays "tS0.1" (index number of 1st parameter)



- press button **+**, for at least 1 second, to scroll up the list of parameters, or button **-**, for at least 1 second, to scroll down the list
- once the required parameter has been reached, press buttons **+** and **-** for 1 second to confirm and thereby access the set value which will flash on the display and can then be modified



- to modify the value, within the permitted range, hold down, for at least 1 second, button **+** to increase it or button **-** to reduce it
- once the required value has been reached, press buttons **+** and **-** at the same time for 1 second to confirm and go back to the list of parameters
- continue with modifying any other parameters.

When all the parameter modifications have been made, exit the parameter menu by pressing **+** and **-** at the same time for at least 5 seconds until the initial screen is displayed, or wait 5 minutes to automatically exit the menu.



7.4 List of parameters

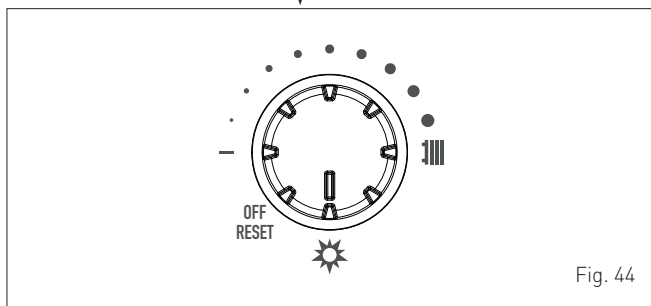
Type	No.	Description	Range	U.M.	Step	Default
CONFIGURATION						
tS	0.1	Hydraulic system	0 = monothermic	-	-	0
tS	0.2	Type of gas	0 = G20 1 = G30/G31	-	1	0
tS	0.3	DHW Configuration (ACS)	0 = Flow switch 1 = flow meter	-	1	1
tS	0.4	Climatic curve selection (K coeff.)	1,0 .. 3,0	-	0,1	2.0
tS	0.5	Anti frequent cycles function - Central heating reignition temperature	0 .. +10	min	1	3
tS	0.6	Hot water tank set-point type (not used)	1	-	-	1
tS	0.7	Boiler type	1 = sealed	-	-	1
DOMESTIC HOT WATER - HEATING						
tS	0.8	Temperature Mode (ACS)	0 = fixed at 67°C 1 = ACS setpoint set	-	1	0
tS	0.9	Ignition power	0 .. 40	%	1	40
tS	1.0	Heating Maximum Output	0 .. 100	%	1	77
tS	1.1	Maximum Power Domestic Hot Water	0 .. 100	%	1	100
tS	1.2	Minimum Central Heating Power	0 .. 100	%	1	0
tS	1.3	Minimum Domestic Hot Water Power	0 .. 100	%	1	0
tS	1.4	Minimum Central Heating T.set	20 .. 40	°C	1	20
tS	1.5	Maximum Central Heating T.set	40 .. 80	°C	1	80
tS	1.6	Maximum Domestic Hot Water T.set	60	°C	1	60
tS	1.8	Domestic hot water modulation with Flow meter	0 = modulation with Flow switch 1 = modulation with Flow meter	-	1	1

7.5 Display alarms/faults that have occurred

This function allows the displaying, with the alarm index number, of which malfunctions have occurred over time and been saved.

To activate this function:

- turn dial  to select the  symbol ("SUMMER mode")



- press **+** and **-** at the same time for at least 5 seconds until the screen displays "0.1" (index number of 1st error). The order of the errors shown goes from the most recent to the most distant



- press **+** and **-** at the same time for at least 5 seconds to exit **Display alarms/faults that have occurred**.

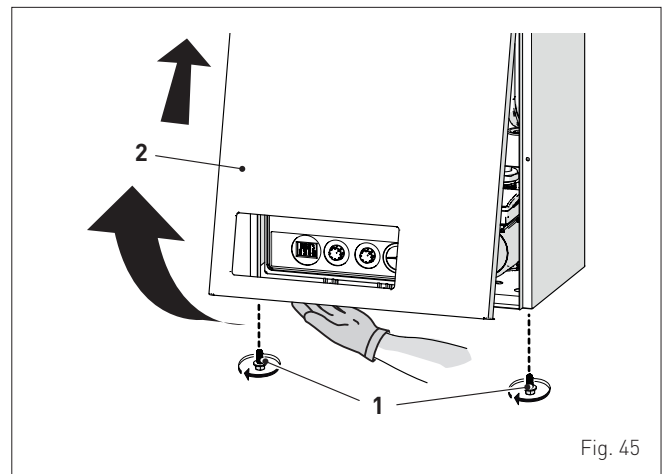
7.6 Checks and adjustments

7.6.1 Chimney sweep function and gas valve calibration

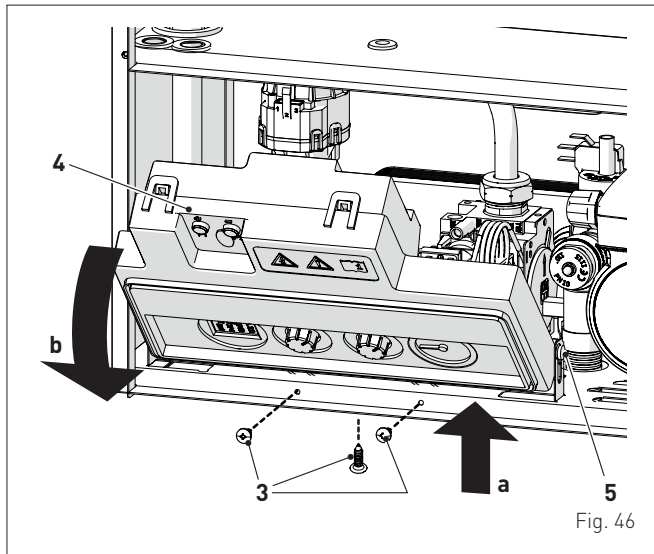
The chimney sweep function makes the boiler operate at maximum power (**Hi** on the display) or minimum power (**Lo** on the display).

The chimney sweep function is used by the qualified maintenance technician to check that the gas pressure at the nozzles is correct (the front panel (2) **MUST** be open) and to detect the combustion parameters (the front panel (2) **MUST** be closed). This function lasts 15 minutes and is activated by proceeding as follows:

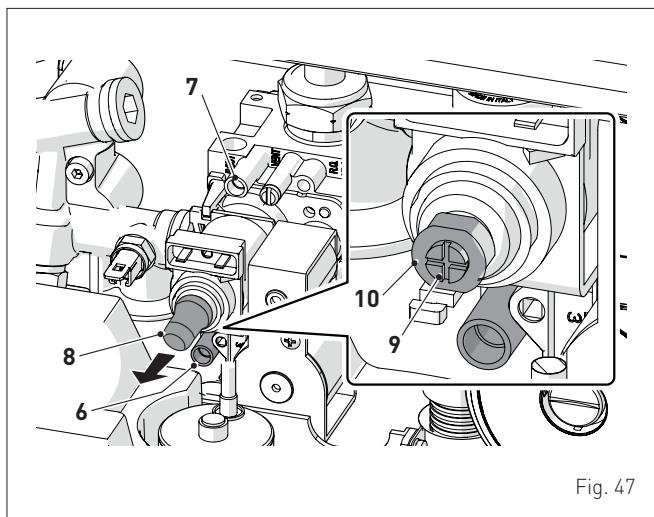
- if the panel (2) has not already been removed, remove the two screws (1), pull the front panel (2) forwards and release it from the top by lifting it



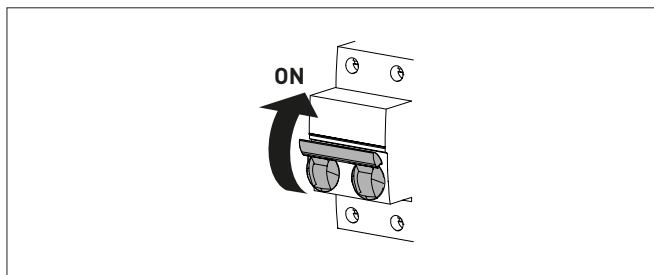
- remove the screws (3) securing the control panel (4)
- move the panel (4) upwards (a) but keeping it in the side guides (5) to the end of travel
- bring it forwards and down (b) until it is horizontal



- loosen the screw of the "downstream pressure" point (7) and connect a pressure gauge. Remove the transparent cap (8) of the gas valve

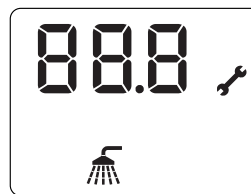


- power the boiler by setting the main switch to "ON"

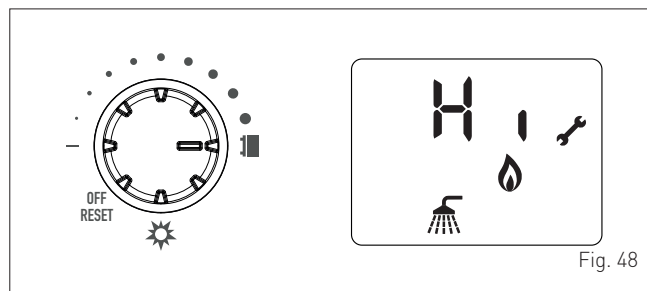


To activate the "chimney sweep function":

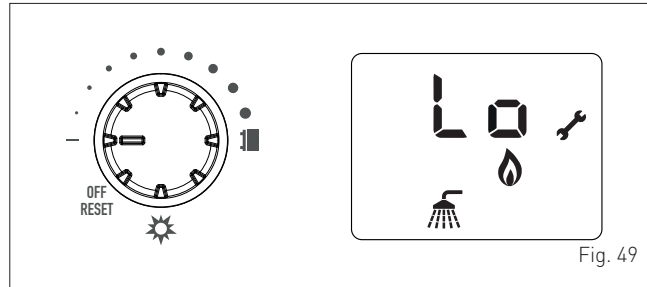
- turn dial to select the symbol ("CHIMNEY SWEEP")
- continually turn dial to the minimum setpoint value and immediately afterwards to the maximum setpoint value. The display will show symbols and





- open one or more of the hot water taps and start up the boiler

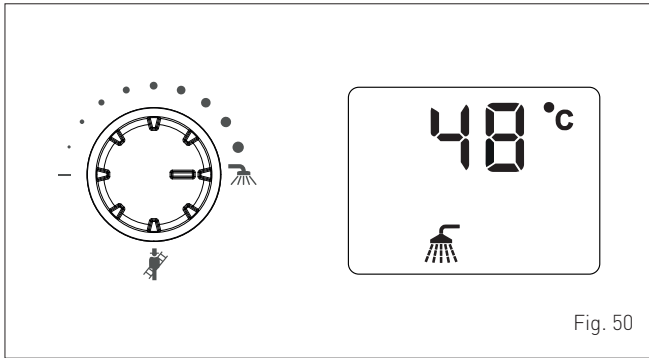


- verify on the pressure gauge that the downstream pressure value is correct by referring to the **Technical features** table (depending on the boiler model and the type of gas used); if it is not, turn the screw (10) to increase or decrease the pressure at the nozzles using a socket spanner: turn it clockwise to increase the pressure and anti-clockwise to decrease it. After doing this, record the combustion data and measure the combustion performance
- turn the knob up to the minimum set-point value to make the boiler work at minimum power "Lo"



- verify on the pressure gauge that the downstream pressure value is correct by referring to the **Technical features** table (depending on the boiler model and the type of gas used); if it is not, turn the screw (9) to increase or decrease the pressure at the nozzles using a Phillips-head screwdriver: turn it clockwise to increase the pressure and anti-clockwise to decrease it.

- to exit "Chimney sweep Procedure" move dial  anticlockwise from the  "CHIMNEY SWEEP" position to the maximum setpoint value, or wait for the timer to end (~ 15 min). The display will show the DHW temperature



- after completing the gas valve verification/calibration operations, close all taps opened previously and check that the appliance stops
- disconnect the pressure gauge and carefully shut the pressure point (7)
- close the gas valve
- loosen the screw of the "supply pressure" point (6) and connect a pressure gauge then open the gas valve
- **open one or more hot water taps**
- set the boiler to "Chimney sweep" mode "Hi" and verify that the supply pressure matches the value shown in the "**Gas supply pressure**" table; if not, adjust the pressure value by regulating the pressure reducer (if present) upstream of the gas delivery line
- after completing the supply pressure verification operation, close all water taps opened previously and check that the appliance stops
- close the gas valve
- disconnect the pressure gauge, carefully shut the pressure point (6), bring the control panel back to its original position and mount the front panel (2) back on.



CAUTION

This procedure **MUST BE EFFECTED** after replacing the gas valve, following a malfunction, or to verify the correct calibration of the gas pressure at the nozzles.

Gas supply pressure

Type of gas	G20	G30	G31
Pressure (mbar)	20	28-30	37

Installation with SPLIT PIPE SYSTEM smoke outlet

Model	Heat Output	Pressure at nozzles (mbar)		
		G20	G30	G31
GO 18/25-BF	Max	12,6 ÷ 13,0	27,2 ÷ 27,6	35,4 ÷ 35,8
	min	0,9 ÷ 1,2	2,2 ÷ 2,5	4,1 ÷ 4,4

Installation with CONCENTRIC smoke outlet

Model	Heat Output	Pressure at nozzles (mbar)		
		G20	G30	G31
GO 18/25-BF	Max	13,1 ÷ 13,5	27,2 ÷ 27,6	35,4 ÷ 35,8
	min	1,5 ÷ 1,8	3,1 ÷ 3,4	3,4 ÷ 3,7

- Connect the flue gas analyser to the take-off point
- open one or more of the hot water taps and start up the boiler
- determine the combustion data and, if necessary, take a reading of the combustion efficiency as provided for by the legislation in force.

After taking the readings, close the cocks which were opened previously and disconnect the flue gas analyser.

7.7 Gas conversion

GO BF models can be converted from operation with G20 (methane) to operation with G30/G31 (LPG) by installing the "Nozzle kit for G30/G31 (LPG) - code 5144716 to be ordered separately from the boiler.

After replacing the nozzles it is necessary to set parameter **tS 0.2 = 1**.



CAUTION

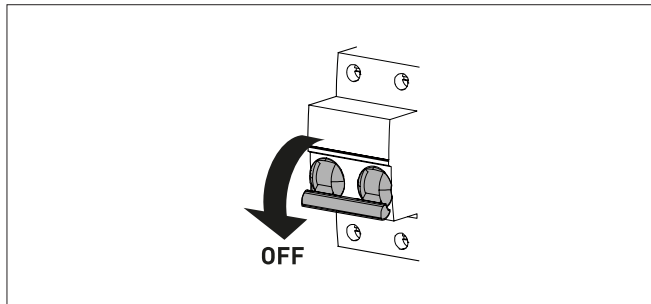
The maintenance interventions described must **ONLY** be carried out the professionally qualified personnel.



WARNING

Before carrying out any interventions described:

- set the main system switch to "OFF"
- close the gas valve
- make sure that no hot parts inside the appliance are touched.



To carry out the conversion:

- remove the screws (1), pull the front panel (2) forwards and release it from the top by lifting it

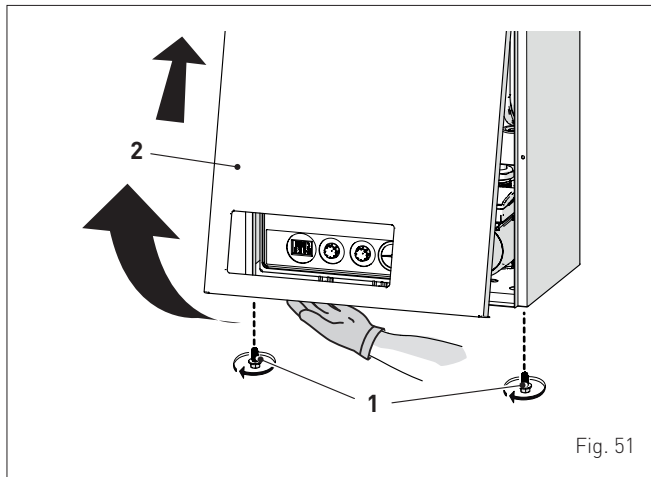


Fig. 51

- remove the screws (3) securing the control panel (4)
- move the panel (4) upwards (a) but keeping it in the side guides (5) to the end of travel
- bring it forwards and down (b) until it is horizontal

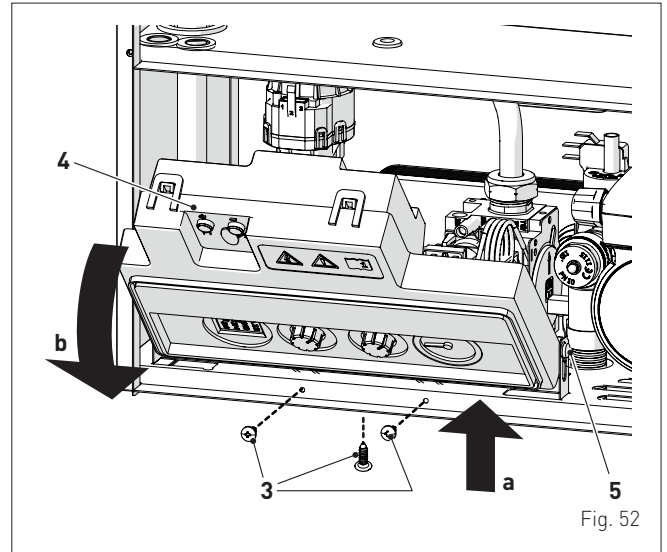


Fig. 52

- unscrew the four screws (6) and remove the front door (7) of the combustion chamber, working carefully so as not to damage the insulation

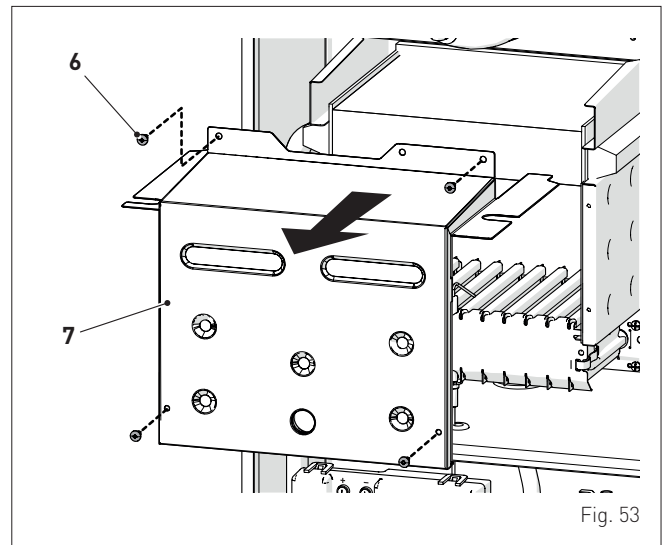
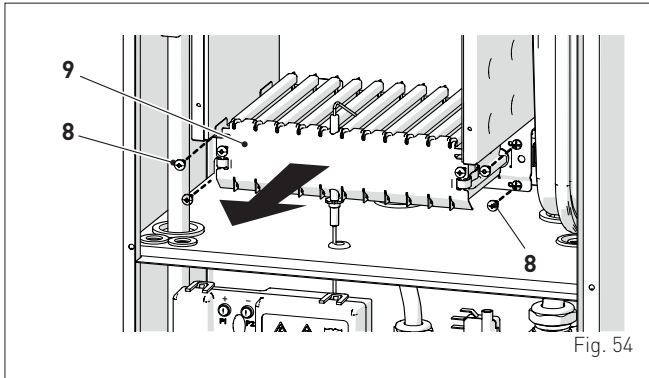


Fig. 53

- unscrew the four screws (8) connecting the nozzle manifold to the burner (9)
- remove the burner (9), being careful when taking the ignition/detection electrode cable out of the silicone cable gland. Replace the nozzles with the ones supplied with the accessory kit, inserting the copper sealing gaskets supplied with the kit



- reposition the burner (9), securing it with the four screws (8)
- check that the insulation of the front panel (7) of the combustion chamber is intact. If not, replace it
- refit the front door of the combustion chamber (7), securing it with the four screws (6)

**CAUTION**

- **The position of the electrode is essential for the correct detection of the ionisation current.**
- Verify the measurements of the electrodes, as explained in the paragraph "**Checking the ignition/detection electrode**".

**CAUTION**

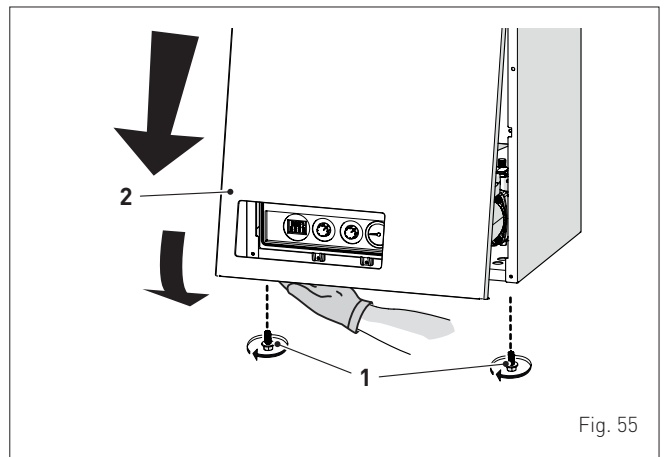
If the gas supply is changed from G20 to G30 or G31, mark the box on the TECHNICAL DATA PLATE.

G30 - 30 mbar **X** ←

Or:

G31 - 37 mbar **X** ←

- the boiler leaves the factory adjusted for operation with methane (G20). If you want to change it to LPG (G30/G31), you must set parameter tS 0.2 = 1, for the procedure to change a parameter, see section "**Parameter setting and display**"
- perform the "**Chimney sweep function and gas valve calibration**" procedure and then mount the front panel (2) back on, locking it with the two screws (1).



8 MAINTENANCE

8.1 Adjustments

For the appliance to operate correctly and efficiently it is recommended that the User calls upon the services of a Professionally Qualified Technician to carry out **ANNUAL** maintenance.



CAUTION

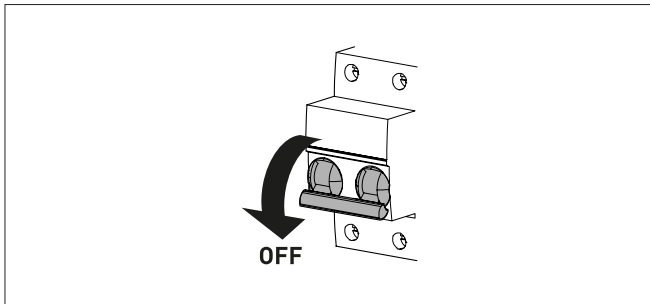
- The maintenance interventions described must **ONLY** be carried out the professionally qualified personnel **who MUST wear** suitable protective safety equipment.
- Make sure that the system components and pipes are not hot (risk of burning).



WARNING

Before carrying out any interventions described:

- set the main system switch to "OFF"
- close the gas valve
- make sure that no hot parts inside the appliance are touched.



8.2 External cleaning

8.2.1 Cleaning the cladding

When cleaning the cladding, use a cloth dampened with soap and water or alcohol for stubborn marks.



PROHIBITION

Do not use abrasive products.

8.3 Cleaning the inside of the appliance

8.3.1 Cleaning the heat exchanger

To clean the heat exchanger:

- remove the screws (1), pull the front panel (2) forwards and release it from the top by lifting it

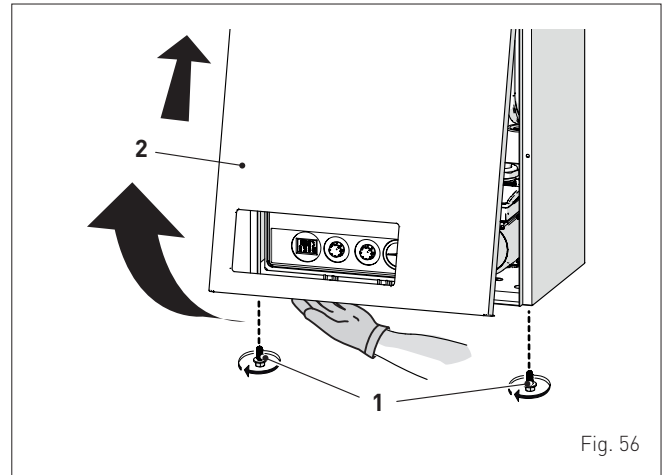


Fig. 56

- unscrew the four screws (3) and remove the front door (4) of the combustion chamber, working carefully so as not to damage the insulation

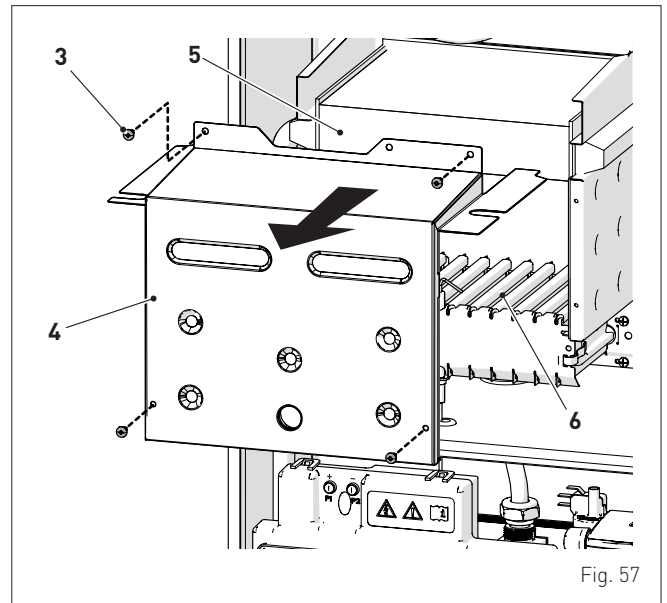


Fig. 57

- if there is any dirt on the heat exchanger (5) fins, protect the burner elements (6) covering them with a sheet of newspaper or a cloth and brush the heat exchanger (5) clean.

8.3.2 Cleaning the burner

The burner does not require any particular maintenance simply dust it with a soft brush.

8.3.3 Checking the ignition/detection electrode

Check the state of the ignition/detection electrode and replace if necessary. Check the measurements as per the drawing whether the ignition/detection electrode is replaced or not.

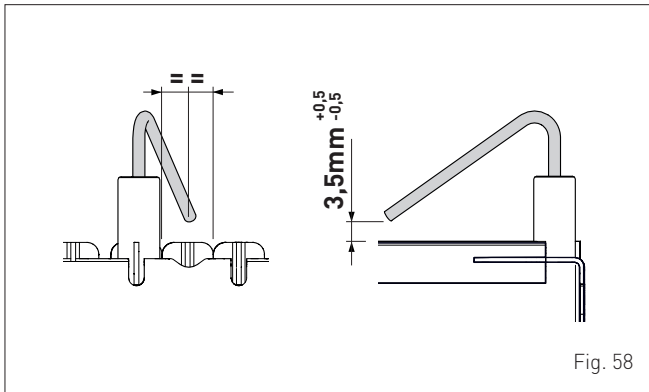


Fig. 58



CAUTION

The position of the electrode is essential for the correct detection of current ionization.

8.3.4 Final operations

After having cleaned the heat exchanger and the burner:

- remove any carbon residue using a vacuum cleaner
- check that the insulation of the front panel (4) of the combustion chamber is intact. If not, replace it
- refit panel (4), securing it with the relevant fastening screws.

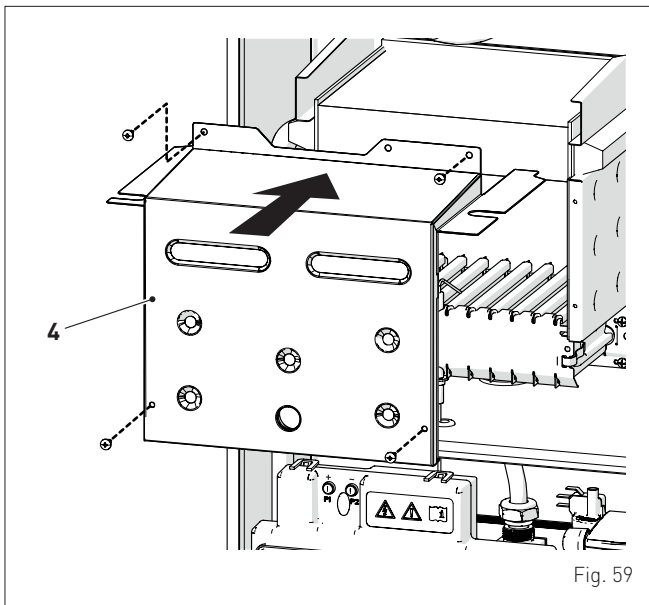


Fig. 59

8.4 Checks

8.4.1 Checking the smoke duct

It is recommended that the user checks that the combustion air inlet duct and smoke outlet duct are integral and airtight.

8.4.2 Checking the expansion vessel pressure

It is recommended that the expansion vessel on the water side is drained and that the prefilling pressure is not less than **1 bar**. If this is not the case, pressurize it to the correct value (see section "Expansion vessel").

Once the checks described above have been completed:

- refill the boiler as described in section "REFILL operations"
- start the boiler up and carry out a smoke analysis and/or measure the combustion efficiency
- refit the front panel securing it with the two screws which were removed previously

8.5 Unscheduled maintenance

When a replacement is made:

- the nozzles for gas conversion
- the electronic board following a fault
- the gas valve following a fault.

Check that the parameter settings are correct.

To go into "Parameter setting and display", please refer to the instructions in the relevant section.

After setting the parameters indicated in the table, it is necessary to perform the "Chimney sweep function and gas valve calibration" phase described in the relevant paragraph entirely.

8.6 Malfunction codes and possible solutions

LIST OF MALFUNCTION/FAULT ALARMS

Type	No.	Fault	Solution
E	01	Fault in the flame detection circuit	<ul style="list-style-type: none"> - Check the integrity of the electrode and check that it is not grounded - Check gas availability and pressure - Check the integrity of the gas valve and the card
E	02	Safety thermostat intervention	<ul style="list-style-type: none"> - Check the sensor or thermostat connections - Deaerate the system - Check the bleed valve - Replace the sensor or the thermostat - Check that the pump impeller is not blocked
E	04	Low water pressure in system	<ul style="list-style-type: none"> - Restore pressure - Check for any leaks in the system
E	05	Air pressure switch intervention	<ul style="list-style-type: none"> - Check the air pressure switch and fan - Check any blockage of the silicone pipe between the fan and the air pressure switch and check the correct positioning of the pipe on pressure switch point P2 - Check the correct usage of the segmented air diaphragm - Check any blockage of the flue gas outlet and air inlet ducts
E	06	Domestic hot water sensor fault	<ul style="list-style-type: none"> - Check connections - Check the sensor is working
E	07	Delivery sensor fault	<ul style="list-style-type: none"> - Check connections - Check the sensor is working
E	09	No water circulating in the system	<ul style="list-style-type: none"> - Check the rotation of the pump rotor - Check the electrical connections - Replace the pump
E	11	Parasite flame fault	<ul style="list-style-type: none"> - Check that the electrode is intact or that it is not earthed
E	12	Gas valve modulator disconnected	<ul style="list-style-type: none"> - Check the electrical connection
E	28	Maximum number of consecutive resets reached	<ul style="list-style-type: none"> - Wait 1 hour and try unblocking the board again - Contact the Technical Assistance Centre

Type	No.	Fault	Solution
E	37	Fault due to low network voltage	<ul style="list-style-type: none"> - Check the voltage - Contact your network provider
E	40	Incorrect network frequency detected	<ul style="list-style-type: none"> - Contact your network provider
E	41	Flame loss more than 6 consecutive times	<ul style="list-style-type: none"> - Check the ignition/detection electrode - Check the gas supply (open valve) - Check mains gas pressure
E	42	Button fault	<ul style="list-style-type: none"> - Check that buttons are working
E	43	Open Therm communication fault	<ul style="list-style-type: none"> - Check the OT electric connection
E	44	Gas valve timeout fault without flame	<ul style="list-style-type: none"> - Check gas valve and board
E	72	The ΔT requested at start-up has not been reached	<ul style="list-style-type: none"> - Check the correct position of the delivery sensor
E	80	Fault on the gas valve control logic line/valve cable damaged	<ul style="list-style-type: none"> - Check the gas valve, board, electrode and valve cable
E	88	Internal error (board component protection)	<ul style="list-style-type: none"> - Check the board is working - Replace board
	888	Over temperature	<ul style="list-style-type: none"> - Check the delivery probe - Check flue gas outlet - Check system pump
E	98	SW error, board start-up	<ul style="list-style-type: none"> - Contact the Technical Assistance Centre
E	99	Generic error	<ul style="list-style-type: none"> - Contact the Technical Assistance Centre
-	-	Frequent relief valve intervention	<ul style="list-style-type: none"> - Check circuit pressure - Check expansion vessel
-	-	Limited production of domestic hot water	<ul style="list-style-type: none"> - Check the diverter valve - Check that plate heat exchanger is clean - Check domestic hot water circuit valve

ПРЕДУПРЕЖДЕНИЯ И ПРАВИЛА ТЕХНИКИ БЕЗОПАСНОСТИ


ВНИМАНИЕ!

- Сняв упаковку, немедленно удостоверьтесь в целостности и комплектности поставки. В случае обнаружения повреждений или несоответствий обратитесь к Продавцу оборудования.
- Аппарат должен использоваться исключительно по назначению. Компания **Sime** не несет ответственности за ущерб, причиненный людям, животным или предметам вследствие неправильного монтажа, регулировки, технического обслуживания или использования оборудования не по назначению.
- При обнаружении утечек воды отключите аппарат от сетевого электропитания, перекройте водоснабжение и в обязательном порядке вызовите квалифицированных специалистов.
- Периодически проверяйте рабочее давление в остывшей системе. Оно должно составлять **1-1,2 бар**. В противоположном случае добавьте воды в систему и вызовите квалифицированного специалиста.
- При планируемом длительном простое оборудования выполните следующие действия:
 - *установите главный выключатель системы в положение "OFF" (выкл.);*
 - *перекройте топливные и водопроводные краны.*
- Для обеспечения исправности и оптимальной производительности оборудования **Sime** мы рекомендуем **ЕЖЕГОДНО** производить технический осмотр и обслуживание котла.
- Поскольку подключение питания системы относится к типу "Y", замена кабеля питания может производиться только производителем или сервисной службой.
- Концентрация CO в продуктах сгорания всегда должна соответствовать требованиям к установке в стране, действующим в стране, в которой установлен прибор.


ВНИМАНИЕ!

- **Мы настоятельно рекомендуем всем операторам** внимательно прочесть настоящее руководство для того, чтобы использовать котел правильно и в условиях полной безопасности.
- **Настоящее руководство** является неотъемлемой частью оборудования. Его необходимо бережно хранить для любых последующих консультаций. В случае передачи котла другому пользователю данное руководство необходимо предоставить вместе с аппаратом.
- **Монтаж и техническое обслуживание** аппарата должны быть доверены только авторизованному установщику или квалифицированному персоналу, который обязан действовать согласно инструкциям, изложенным в настоящем руководстве, и по завершении работ выдать декларацию о соответствии техническим стандартам и законодательным требованиям, действующим в стране использования устройства.
- **В случае необходимости ремонта прибора** он должен производиться только квалифицированными специалистами с использованием оригинальных запчастей. Несоблюдение указанных требований может нарушить безопасность использования прибора и влечет за собой немедленное аннулирование гарантии.
- Литейная компания **Fonderie SIME S.p.A.** оставляет за собой право в любой момент и без предупреждения вносить изменения в свои изделия с целью их улучшения, не нарушая их основных характеристик. Все имеющиеся в этом документе иллюстрации и/или фотографии могут быть представлены с помощью опциональных принадлежностей, которые варьируются в зависимости от страны использования оборудования.
- **Установщик обязан проинформировать Пользователя** о принципах действия прибора и правилах техники безопасности. Кроме того, по окончании монтажа он должен передать Пользователю руководство по эксплуатации и техобслуживанию изделия.

ЗАПРЕТЫ**ЗАПРЕЩЕНО**

- Использование устройства детьми возрастом менее 8 лет. Устройство может использоваться детьми возрастом не менее 8 лет, а также лицами со сниженными физическими, чувствительными или умственными способностями, не обладающими необходимыми навыками или знаниями, под присмотром, или после получения ими инструкций относительно безопасного использования устройства и осознания связанных с ним опасностей.
- Игра детей с устройством.
- Выполнение операций по очистке и уходу, которые должны осуществляться пользователем, детьми без присмотра.
- Запрещено включать электрические приборы или устройства, такие как выключатели, бытовые приборы и т.п. при ощущении запаха топлива или гари. В этом случае:
 - *тщательно проветрите помещение, открыв двери и окна;*
 - *перекройте отсечной кран подачи топлива;*
 - *в срочном порядке вызовите квалифицированных специалистов.*
- Запрещено прикасаться к аппарату без обуви или мокрыми частями тела.
- Запрещено выполнять какие бы то ни было работы на котле, не установив главный выключатель системы в положение "OFF" (выкл.) и не перекрыв газ.
- Запрещено вносить изменения в конструкцию устройств безопасности и регулировки без соответствующего разрешения и инструкций производителя котла.

**ЗАПРЕЩЕНО**

- Вносить какие-либо изменения в конструкцию трубы слива конденсата (если таковая имеется) или заглушать ее.
- Запрещено тянуть, выдергивать и скручивать электрические провода, выходящие из аппарата, даже если последний отключен от сети электропитания.
- Устанавливать котел в местах, не защищенных от атмосферных воздействий. Котлы также могут функционировать и в частично защищённых местах, в соответствии с EN 15502, с температурой окружающей среды не более 60 °C и не менее - 5 °C. Рекомендуется устанавливать котлы под скатом крыши, на балконе или в защищённой нише, однако, в любом случае, они не должны подвергаться прямому воздействию атмосферных явлений (дождь, град, снег). В стандартном исполнении котлы оснащены функцией для предотвращения замерзания.
- Запрещено закрывать, даже частично, воздухозаборники вытяжной вентиляции в помещении, где установлен котел.
- Запрещено обесточивать аппарат и перекрывать подачу топлива при опускании наружной температуры ниже НУЛЯ (опасность замерзания).
- Запрещено хранить и оставлять воспламеняющиеся вещества в помещении, где установлен котел.
- Запрещено выбрасывать в окружающую среду упаковочные материалы в виду их потенциальной опасности. Утилизация должна осуществляться в соответствии с нормами, действующими в стране использования устройства.
- Вносить какие-либо изменения в конструкцию опломбированных частей или производить с ними какие-либо операции.

Уважаемый покупатель,
Благодарим вас за покупку котла **Sime GO BF** — низкотемпературного модулирующего устройства последнего поколения, с техническими и эксплуатационными характеристиками, способными удовлетворить ваши потребности в отоплении и немедленном снабжении горячей водой, в условиях максимальной безопасности и с низкими эксплуатационными расходами.

Действительно для ЕАС

- При условии соблюдения предписаний относительно транспортировки, хранения, монтажа и эксплуатации, ожидаемый срок службы изделия составляет 10 лет с момента установки.
- Срок хранения: 5 лет с даты производства.
- Хранить приборы необходимо в закрытых помещениях с естественной циркуляцией воздуха в стандартных условиях (неагрессивная и беспылевая среда, перепад температуры от $-10\text{ }^{\circ}\text{C}$ до $+40\text{ }^{\circ}\text{C}$, влажность воздуха до 80 %, без ударов и вибраций).

АССОРТИМЕНТ

МОДЕЛЬ	КОД
GO 18/25- BF (G20)	8119628
GO 18/25- BF (G30/G31)	8119629

ПРИМЕЧАНИЕ: Некоторые модели могут быть НЕ доступны в некоторых странах.

СООТВЕТСТВИЕ ЕВРОПЕЙСКИМ НОРМАТИВАМ

Наша компания заявляет, что котлы **GO BF** соответствуют основным требованиям следующих директив:

- Регламент (ЕС) 2016/426
- Директивы 92/42/СЕЕ о КПД
- Директива 2014/35/UE (ТРТС 004/2011) о низком напряжении
- Директива 2014/30/UE (ТРТС 020/2011) об электромагнитной совместимости

СТРУКТУРА РУКОВОДСТВА

Руководство составлено в соответствии с приведенной далее структурой.

ИНСТРУКЦИИ ПО ЭКСПЛУАТАЦИИ . . . 45
ОПИСАНИЕ АППАРАТА 51
ИНСТРУКЦИИ ПО УСТАНОВКЕ И ТЕХОБСЛУЖИВАНИЮ 59
ПРЕДУПРЕЖДАЮЩИЕ ЗНАКИ

ВНИМАНИЕ

Этим знаком обозначаются действия, неправильное выполнение которых может привести к травмам и стать причиной отказа компонентов котла или повреждения его материалов. Их выполнение требует предельной осторожности и соответствующей подготовки.


ОПАСНОСТЬ, СВЯЗАННАЯ С ЭЛЕКТРИЧЕСТВОМ

Этим знаком обозначаются действия, неправильное выполнение которых может стать причиной поражения электрическим током. Их выполнение требует предельной осторожности и соответствующей подготовки.


ЗАПРЕЩЕНО

Этим знаком обозначаются ЗАПРЕЩЕННЫЕ ДЕЙСТВИЯ.


ПРЕДУПРЕЖДЕНИЕ!

Полезная и важная информация.

ИНСТРУКЦИИ ПО ЭКСПЛУАТАЦИИ

ОГЛАВЛЕНИЕ

1	УПРАВЛЕНИЕ КОТЛОМ GO 18/25- ВФ	46	3	ТЕХНИЧЕСКОЕ ОБСЛУЖИВАНИЕ	49
1.1	Панель управления	46	3.1	Уход	49
1.2	Предварительные проверки	47	3.2	Наружная чистка	49
1.3	Включение	47	3.2.1	Чистка панелей корпуса	49
1.4	Регулирование температуры на нагнетании отопления	47	4	ВЫБРОС	49
1.5	Регулирование температуры ГВС	47	4.1	Утилизация прибора (Европейская директива 2012/19/UE)	49
1.6	Коды неисправностей / поломок	48			
2	ВЫКЛЮЧЕНИЕ	48			
2.1	Временное выключение	48			
2.2	Выключение на длительное время	49			

1 УПРАВЛЕНИЕ КОТЛОМ GO 18/25- BF

1.1 Панель управления

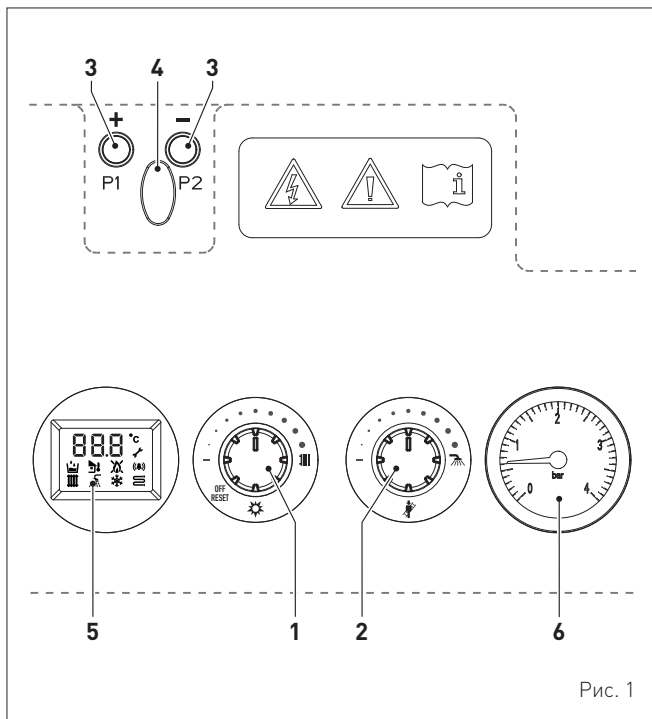


Рис. 1

1 МНОГФУНКЦИОНАЛЬНАЯ РУЧКА-РЕГУЛЯТОР СИСТЕМЫ ОТОПЛЕНИЯ

Ручка-регулятор системы отопления в процессе нормального функционирования позволяет:

выбирать «режим ЗИМА» (Система отопления и ГВС) и задавать уставку.

выбирать «режим ЛЕТО» (только ГВС).

OFF выключенный котел с исключением всех запросов пара. Однако, остаются активными функции: защиты от замерзания, защиты от заедания насоса и трехходового клапана.

RESET разблокирование системы после остановки из-за постоянной блокировки. Для сброса необходимо повернуть ручку на «OFF/Reset»; затем подождите, пока на дисплее появится надпись «RES», и поверните ручку обратно в предыдущее положение.

2 МНОГФУНКЦИОНАЛЬНАЯ РУЧКА-РЕГУЛЯТОР ГВС

Ручка-регулятор ГВС в процессе нормального функционирования позволяет:

задавать уставку ГВС.

установить «функцию трубочист».

3 РАБОЧИЕ КНОПКИ

+ - Кнопки **+** и **-** (рабочие кнопки) предусмотрены для квалифицированного персонала, который посредством соответствующих операций, описанных в специальных разделах, может осуществлять процедуры конфигурации, калибровки и настройки системы, котла-системы.

4 РАБОЧИЙ РАЗЪЕМ

Заглушка разъема для программирования.



ПРЕДУПРЕЖДЕНИЕ!

Кнопки **+**, **-** и разъем **HE** доступны для пользователя, а только для Технического квалифицированного персонала.

5 ДИСПЛЕЙ



“ЗАЩИТА ОТ ЗАМЕРЗАНИЯ”. Данный символ присутствует в режиме функционирования Защиты от замерзания. При включении котла, будет также присутствовать символ или символ , в зависимости от типа защиты от замерзания (соответственно ГВС или система отопления).



“ГВС”. Данный символ присутствует, когда котел греет воду для ГВС; во время настройки уставки температуры воды для ГВС символ мигает.



“СИСТЕМА ОТОПЛЕНИЯ”. Данный символ горит ровным светом, когда котел греет воду для отопления; во время настройки уставки температуры воды для отопления символ мигает.



“НАЛИЧИЕ ПЛАМЕНИ”. Данный символ горит ровным светом при функционировании горелки, когда системой определяется наличие пламени.



“БЛОКИРОВКА» В СВЯЗИ С ОТСУТСТВИЕМ ПЛАМЕНИ. Данный символ горит ровным светом, когда системой HE определяется наличие пламени.



“АВАРИЙНЫЙ СИГНАЛ”. Указывает на выявление неисправности. Присутствие дополнительного символа указывает вызвавшую ее причину (см. параграф “Коды аномалий и возможные меры устранения”).



“ТЕМПЕРАТУРА”. Отображается значение температуры, выраженное в градусах Цельсия.



“ДАТЧИК НАРУЖНОЙ ТЕМПЕРАТУРЫ”. Данный символ присутствует при определении платой подсоединенного датчика наружной температуры. Для изменения кривой датчика наружной температуры поверните многофункциональную ручку отопления .



“ДАВЛЕНИЕ ВОДЫ”. Данный символ присутствует одновременно с символом и сигнализирует на отсутствие давления воды в контуре отопления.



“ТРУБОЧИСТ”. Данный символ присутствует одновременно с символом и сигнализирует на необходимость активации функции «Трубочист».



“ИЗБЫТОЧНАЯ ТЕМПЕРАТУРА”. Данный символ мигает при достижении температурой чрезмерно высокого и потенциально опасного уровня.

6 МАНОМЕТР

1.2 Предварительные проверки



ВНИМАНИЕ

- При возникновении необходимости в доступе к зонам, расположенным в нижней части прибора, следует убедиться, что температура компонентов или труб системы не является высокой (опасность ожогов).
- Перед началом работ по доливке системы отопления надеть защитные перчатки.

Первый запуск котла **GO BF** должен быть произведен квалифицированным специалистом. После этого котел может работать автоматически. Тем не менее, у пользователя может возникнуть необходимость самостоятельно запустить котел, не обращаясь к доверенному специалисту, например, по возвращении из отпуска. В этом случае выполните следующие проверки и действия:

- убедитесь, что отсечные краны на подаче топлива и в водопроводной системе открыты
- проверьте по манометру (1) значение давления в системе отопления: в холодной системе оно должно находиться в диапазоне **1-1,2 бар**. В противном случае откройте кран наполнения (2) и добавляйте воду в систему отопления, пока на манометре (1) не установится значение **1-1,2 бар**
- закройте кран наполнения (2).

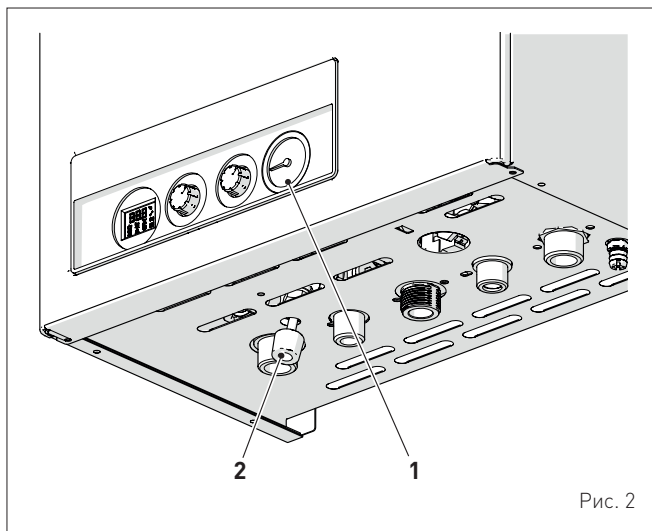
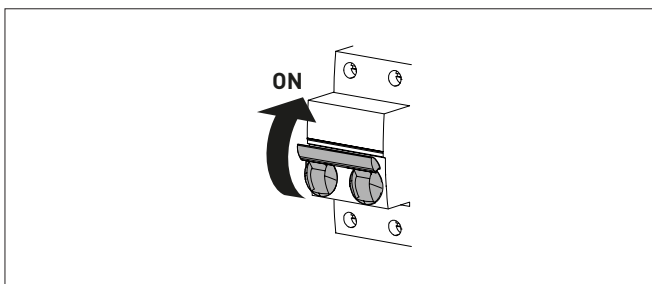


Рис. 2

1.3 Включение

Завершив подготовительные работы, прежде чем запустить котел:

- установите главный выключатель системы в положение "ON" (вкл.)



- поверните многофункциональную ручку-регулятор системы отопления до выбора символа ("режим ЛЕТО")

- откройте один или несколько кранов горячей воды. Котел будет работать на максимальной мощности до тех пор, пока краны не будут закрыты. На дисплее отобразится текущее значение температуры ГВС.

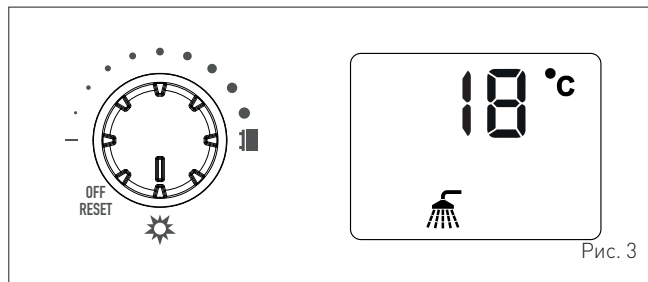


Рис. 3

После установки котла в «режим ЛЕТО» , для перехода в «режим ЗИМА» (отопление и ГВС) поверните многофункциональную ручку-регулятор ГВС до половины регулируемого диапазона. На дисплее отобразится текущее значение температуры воды в системе отопления. В этом случае в комнатном/ных термостате/ах необходимо установить желаемую температуру, а при наличии в системе программируемого термостата проверить, включен ли он, и отрегулировать его необходимым образом.

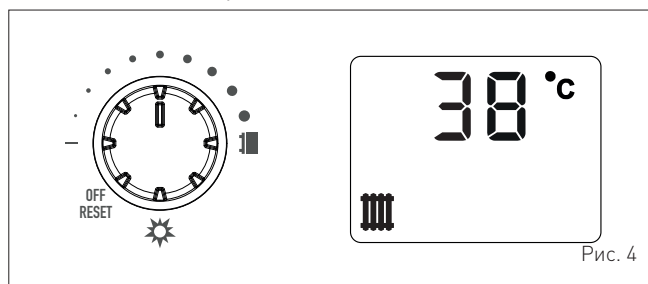


Рис. 4

1.4 Регулирование температуры на нагнетании отопления

В случае необходимости увеличения или уменьшения температуры на нагнетании котла, поверните ручку-регулятор до желаемой уставки. Возможна регулировка от 20 до 80°C.

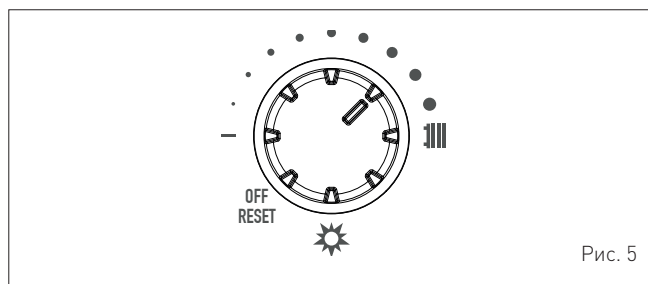


Рис. 5

1.5 Регулирование температуры ГВС

В случае необходимости увеличения или уменьшения температуры ГВС, поверните ручку-регулятор до желаемой уставки. Возможна регулировка от 37 до 60°C.

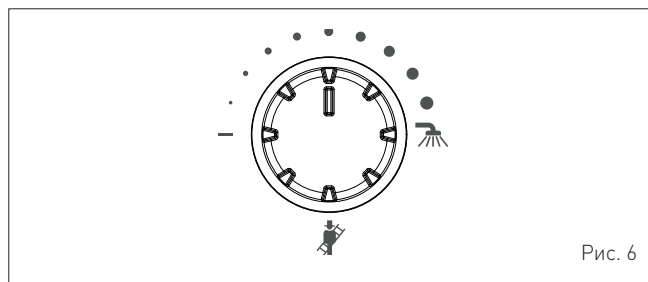


Рис. 6

1.6 Коды неисправностей / поломок

При обнаружении неисправностей/поломок во время работы котла, на дисплее будет отображена надпись "E" и код неисправности.

В случае аварийного сигнала "04" (Низкое давление воды в системе):

- проверьте по манометру (1) значение давления в системе отопления: в холодной системе оно должно находиться в диапазоне **1-1,2 бар**. В противном случае откройте кран наполнения (2) и добавляйте воду в систему отопления, пока на манометре (1) не установится значение **1-1,2 бар**
- закройте кран наполнения (2)
- поверните ручку-регулятор III на OFF / RESET, а затем вновь на желаемое значение регулировки. Таким образом восстанавливаются нормальные условия функционирования.

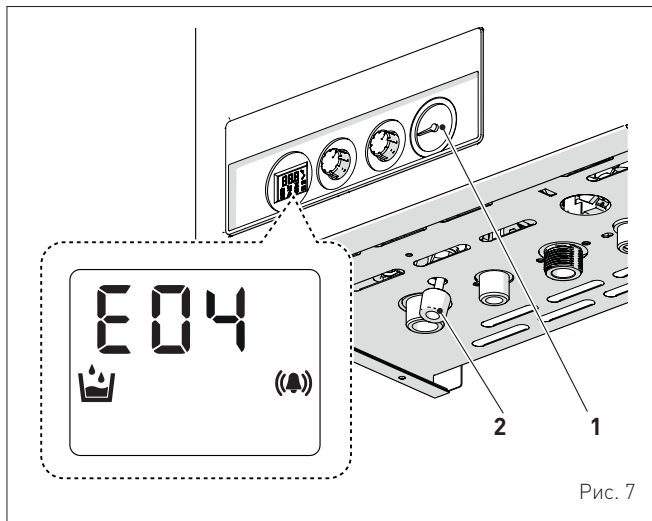


Рис. 7

В случае аварийного сигнала "E01" (Пламя не обнаружено):

- поверните ручку-регулятор III на OFF / RESET, а затем вновь на желаемое значение регулировки. Таким образом восстанавливаются нормальные условия функционирования.

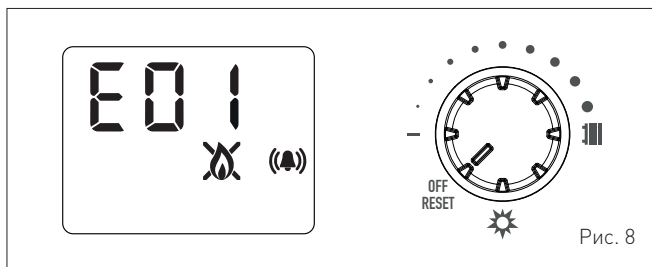
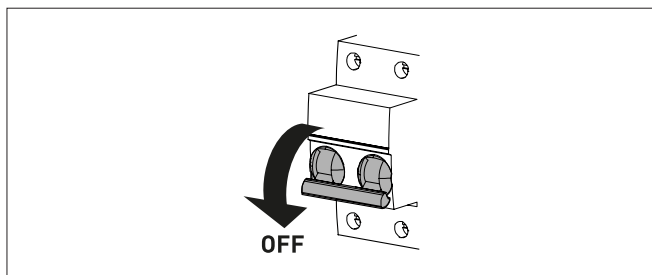


Рис. 8

Если неисправность не устраняется, попытайтесь произвести **СБРОС ЕЩЕ ОДИН РАЗ**, после чего:

- тщательно закройте отсечной топливный кран
- установите главный выключатель системы в положение "OFF" (выкл.)
- вызовите Уполномоченный технический персонал.



ПРЕДУПРЕЖДЕНИЕ!

В случае срабатывания аварийного сигнала, описание которого отсутствует, следует связаться с авторизованным техническим персоналом.

2 ВЫКЛЮЧЕНИЕ

2.1 Временное выключение

При планируемом неиспользовании котла в течение длительного времени выполните следующие действия:

- позиционируйте ручку III на OFF / RESET. На дисплее отобразится "--". В случае подсоединения датчика наружной температуры, на дисплее будет отображена иконка и значение выявленной внешней температуры.

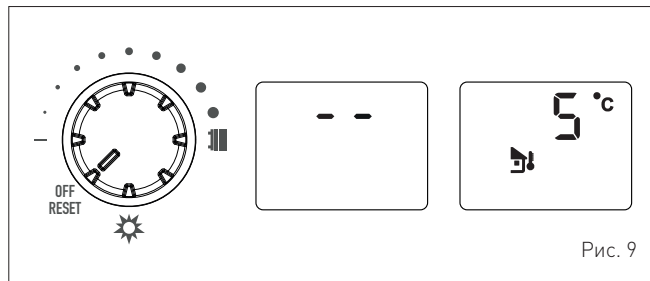


Рис. 9



ОПАСНОСТЬ, СВЯЗАННАЯ С ЭЛЕКТРИЧЕСТВОМ

Электрическое питание котла остается включенным.

В случае временных отлучек (на выходные или на время коротких путешествий) при наружной температуре выше НУЛЯ:

- позиционируйте ручку III на OFF / RESET
- установите главный выключатель системы в положение "OFF" (выкл.)
- закройте газовый кран.

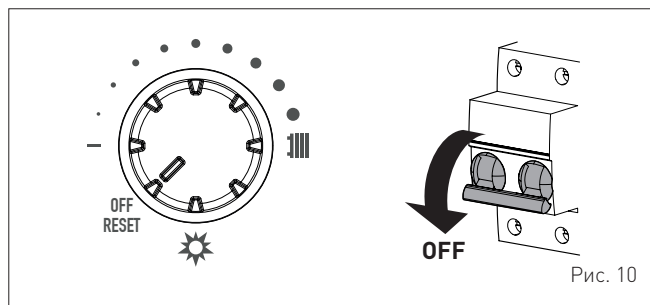


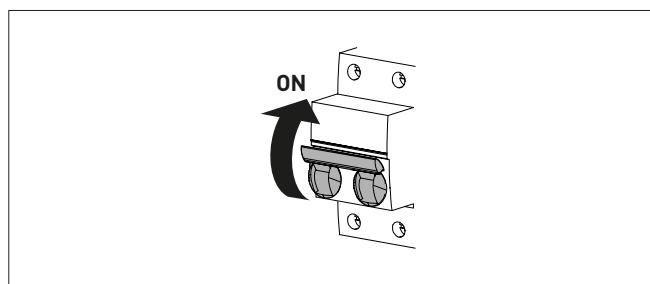
Рис. 10



ПРЕДУПРЕЖДЕНИЕ!



Котел оснащен функцией защиты от замерзания, поэтому при вероятности того, что наружная температура будет опускаться ниже НУЛЯ:

- позиционируйте ручку III на OFF / RESET
- оставьте главный выключатель системы в положении "ON" (электрическое питание котла включено)
- оставьте открытым газовый кран.



2.2 Выключение на длительное время

При планируемом неиспользовании котла в течение длительного времени выполните следующие действия:

- позиционируйте ручку  на OFF / RESET. На дисплее отобразится "--". В случае подсоединения датчика наружной температуры, на дисплее будет отображена иконка  и значение выявленной внешней температуры.

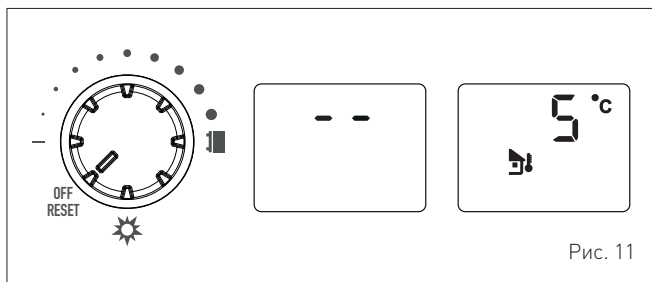
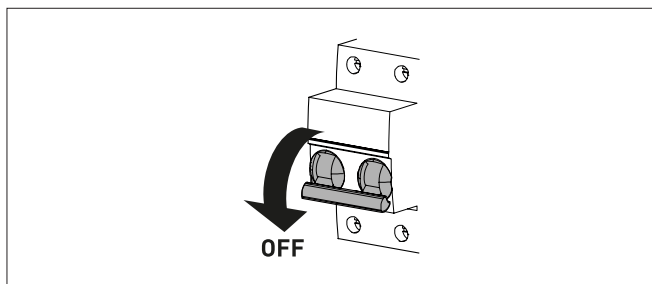


Рис. 11

- установите главный выключатель системы в положение "OFF" (выкл.)



- закройте газовый кран
- закройте отсечные краны в системах отопления и ГВС
- **опорожните системы отопления и ГВС, если существует вероятность замерзания.**



ПРЕДУПРЕЖДЕНИЕ!

Вызовите Уполномоченный технический персонал, если процедуру не удается выполнить.

3 ТЕХНИЧЕСКОЕ ОБСЛУЖИВАНИЕ

3.1 Уход

Для обеспечения эффективной и исправной работы котла рекомендуется заключить договор на **ЕЖЕГОДНОЕ** техническое обслуживание с квалифицированным специалистом.



ПРЕДУПРЕЖДЕНИЕ!

Работы по техническому обслуживанию должны быть выполнены **ТОЛЬКО** квалифицированным персоналом, действующим в соответствии с ИНСТРУКЦИЕЙ ПО МОНТАЖУ И ТЕХНИЧЕСКОМУ ОБСЛУЖИВАНИЮ.

3.2 Наружная чистка



ВНИМАНИЕ

- При возникновении необходимости в доступе к зонам, расположенным в нижней части прибора, следует убедиться, что температура компонентов или труб системы не является высокой (опасность ожогов).
- Перед началом работ по техобслуживанию надеть защитные перчатки.

3.2.1 Чистка панелей корпуса

Для чистки панелей корпуса используйте смоченную в мыльном растворе ткань. Для устранения стойких пятен можно использовать раствор воды со спиртом.



ЗАПРЕЩЕНО

использовать абразивные вещества.

4 ВЫБРОС

4.1 Утилизация прибора (Европейская директива 2012/19/UE)



Прибор, а также электрические и электронные устройства, поступающие из частных домашних хозяйств или классифицируемые как бытовые отходы, по окончании срока службы должны быть переданы, в соответствии с законом (согласно Директиве 2012/19/EU), специальным организациям, занятым сбором и утилизацией отходов. Это изделие было разработано и изготовлено таким образом, чтобы свести к минимуму его воздействие на окружающую среду и здоровье, тем не менее оно содержит комплектующие, которые при неправильном обращении могут быть вредными как для окружающей среды, так и для здоровья людей. Воспроизведенный здесь символ (перечеркнутый мусорный бак), который также присутствует на вашем приборе, означает, что с прибором по истечении срока его службы следует обращаться в соответствии с законом и передать для утилизации как отходы электрического и электронного оборудования. Прежде чем передавать прибор на утилизацию, ознакомьтесь с действующими положениями, установленными законодательством страны, в которой используется прибор, и получите информацию об уполномоченных центрах сбора отходов, связавшись с конкретными отделениями в вашем месте установки оборудования.



ЗАПРЕЩЕНО

Утилизация продукции должна осуществляться вместе с бытовыми отходами.

ОПИСАНИЕ АППАРАТА

ОГЛАВЛЕНИЕ

5	ОПИСАНИЕ АППАРАТА	52	5.7	Принципиальная гидравлическая схема	55
5.1	Основные характеристики	52	5.8	Датчики	55
5.2	Устройства контроля и безопасности	52	5.9	Расширительный бак	55
5.3	Символы, имеющиеся на приборе	52	5.10	Циркуляционный насос	56
5.4	Идентификация товара	52	5.11	Панель управления	56
5.5	Конструкция	53	5.12	Электрическая схема	57
5.6	Технические характеристики	54			

5 ОПИСАНИЕ АППАРАТА

5.1 Основные характеристики

GO BF это навесные низкотемпературные котлы, которые компания **Sime** разработала для отопления и горячего водоснабжения (ГВС). Основные конструкторские решения, примененные компанией **Sime** в котлах **GO BF**:

- атмосферная горелка с медным теплообменником для контура отопления и теплообменник с функцией ускоренного производства горячей воды для контура ГВС
- герметичная камера сгорания, соответствующая типу "С" или "В" в зависимости от помещения, в котором установлен котел, и конфигурации системы отвода газовых дымов и забора воздуха горения, предусмотренной при монтаже
- микропроцессорная плата управления и контроля, которая не только эффективно управляет отоплением и ГВС, но и обеспечивает возможность подключения к комнатным термостатам или пульту дистанционного управления (через протокол Open Therm) и датчику наружной температуры. В последнем случае температура в котле изменяется в зависимости от наружной температуры в соответствии с заданной климатической кривой, обеспечивая значительную экономию энергоносителей.

Другие особенности котлов **GO BF**:

- функция защиты от замерзания ГВС, активируемая автоматически, если температура, определяемая датчиком ГВС, опускается ниже 4 °С. Циркуляционный насос и горелка запускаются. При достижении температуры 35 °С, горелка выключается, а циркуляционный насос остается в режиме функционирования в течение около 150 с (последующая циркуляция), после чего функция защиты от замерзания блокируется
- функция защиты от замерзания системы отопления, активируемая автоматически на двух уровнях:
 - если температура, определяемая датчиком на нагнетании, опускается ниже 7 °С, запускается только циркуляционный насос. При достижении температуры 10 °С, горелка выключается
 - если же температура вместо повышения, опускается ниже 5 °С, также и горелка включается. При достижении температуры 42 °С, горелка выключается, а циркуляционный насос остается в режиме функционирования в течение около 150 с (последующая циркуляция), после чего функция защиты от замерзания блокируется
- функция защиты от блокировки насоса и переключательного клапана, которая включается автоматически через каждые 24 часа простоя котла
- функция "Трубочист", которую можно включить на 15 минут для измерения параметров и КПД сгорания и проверки давления газа на сопла
- отображение на дисплее рабочих параметров и данных самодиагностики с кодом ошибки в случае неисправности/поломки, что значительно облегчает ремонт и восстановление рабочих условий аппарата.

5.2 Устройства контроля и безопасности

Котлы **GO BF** оборудованы следующими устройствами контроля и безопасности:

- предохранительным термостатом 100°С
- предохранительным клапаном 3 бар
- реле давления воды в контуре отопления
- датчиком на нагнетании отопления
- датчиком ГВС
- реле давления воздуха.



ЗАПРЕЩЕНО

Запрещено запускать в работу аппарат при наличии неисправных или самостоятельно отремонтированных устройств безопасности.



ВНИМАНИЕ

Замена устройств безопасности может быть выполнена исключительно квалифицированным персоналом, который обязан использовать только оригинальные запасные части производства **Sime**.

5.3 Символы, имеющиеся на приборе

На приборе имеются следующие символы:

СИМВОЛ	ОПИСАНИЕ
	Указывает на наличие в приборе особо опасных зон.
	Указывает на наличие в приборе электрических частей, находящихся под напряжением.
	Указывает на наличие сведений, относящихся к прибору, например, содержащихся в руководстве по его эксплуатации и техобслуживанию.
	Указывает на то, что персонал, которому поручено осуществлять техобслуживание прибора, должен руководствоваться положениями, содержащимися в руководстве по его эксплуатации и техобслуживанию.
	Указывает на необходимость прочитать руководство по эксплуатации и техобслуживанию прибора.
	Указывает на то, что прибор должен быть подсоединен к контуру заземления.

5.4 Идентификация товара

Для идентификации котлов **GO BF** используются:

- 1 Этикетка на упаковке:** содержит артикул, серийный номер и штрих-код котла
- 2 Паспортная табличка:** Расположена на боковине устройства и содержит технические и эксплуатационные характеристики устройства и другие данные, требуемые законодательством, действующим в стране использования устройства.

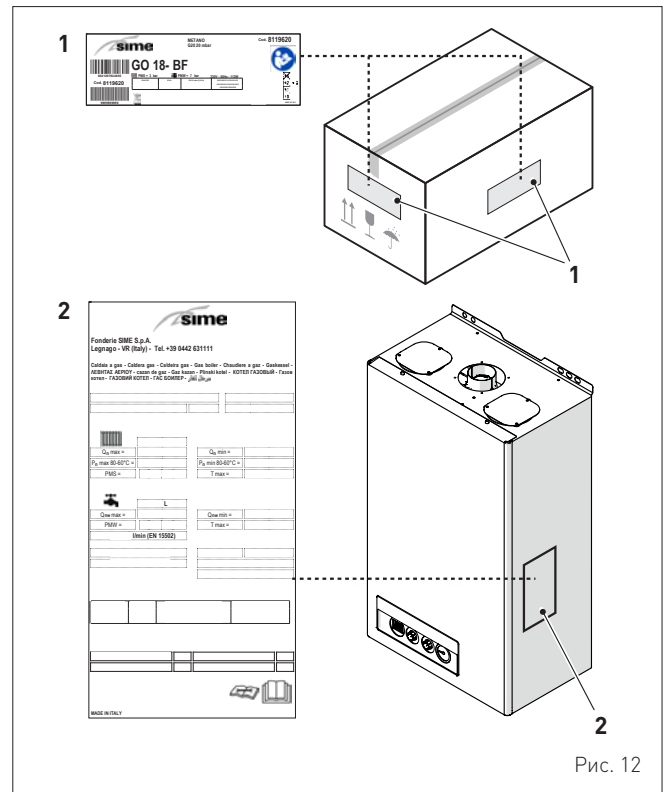


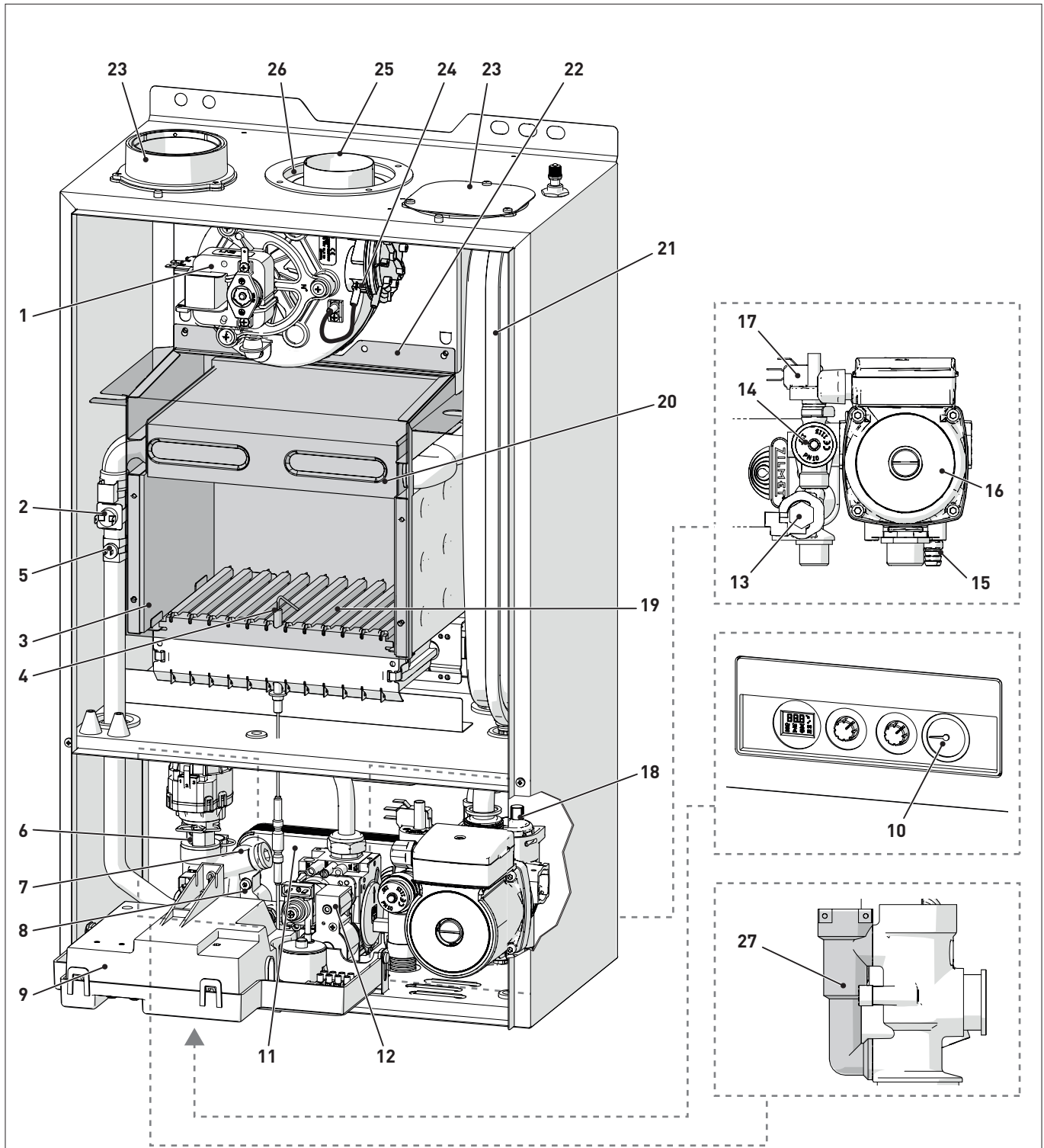
Рис. 12



ПРЕДУПРЕЖДЕНИЕ!

Умышленное повреждение, удаление, утрата этикеток или паспортных табличек и любые другие действия, делающие невозможной надежную идентификацию товара, затрудняют работы по монтажу и техническому обслуживанию.

5.5 Конструкция



- | | | |
|------------------------------------------|------------------------------------|----------------------------------------------------------|
| 1 Вентилятор | 11 Вторичный теплообменник | 21 Расширительный бак |
| 2 Предохранительный термостат | 12 Газовый клапан | 22 Передняя панель камеры сгорания |
| 3 Камера сгорания | 13 Расходомер | 23 Забор воздуха горения (раздельные трубопроводы) |
| 4 Электрод розжига / обнаружения пламени | 14 Предохранительный клапан | 24 Реле давления воздуха |
| 5 Зонд нагнетания контура отопления | 15 Слив котла | 25 Система отвода газовых дымов и забора воздуха горения |
| 6 Переключательный клапан | 16 Насос системы отопления | 26 Забор воздуха горения (концентрические трубопроводы) |
| 7 Узел наполнения системы | 17 Реле давления воды | 27 Ву-pass (Байпас) |
| 8 Датчик ГВС | 18 Автоматический воздушный клапан | |
| 9 Панель управления | 19 Горелка | |
| 10 Манометр | 20 Первичный теплообменник | |

Рис. 13

5.6 Технические характеристики

ОПИСАНИЕ		GO 18/25- BF
СЕРТИФИКАТЫ		
Страны назначения		AZ - RU - SR
Топливо		G20; G30/G31
Номер PIN		1010M
Категория		I2H3+
Тип		B22P - B52P - C12 - C12X - C32 - C32X - C42 - C42X - C52 - C52X - C62 - C62X - C82 - C82X - C92 - C92X
Класс NOx		4 (< 100 mg/kWh)
Номинальная полезная санитарная мощность	кВт	23,5
ЭКСПЛУАТАЦИОННЫЕ ПОКАЗАТЕЛИ В РЕЖИМЕ ОТОПЛЕНИЯ		
ТЕПЛОВАЯ НАГРУЗКА		
Номинальная тепловая нагрузка	кВт	20,5
Минимальная тепловая нагрузка (G20)	кВт	9,2
Минимальная тепловая нагрузка (G30/G31)	кВт	9,2
ТЕПЛОВАЯ МОЩНОСТЬ		
Номинальная полезная тепловая мощность (80-60°C)	кВт	18,5
Минимальная полезная тепловая мощность (80-60°C) (G20)	кВт	7,6
Минимальная полезная тепловая мощность (80-60°C) (G30/G31)	кВт	7,6
КПД		
Макс. КПД (80-60°C)	%	90,4
Мин. КПД (80-60°C)	%	83,1
КПД при 30 % нагрузки (50-37°C)	%	86,1
Энергетическая эффективность (CEE 92/42)		★★★
Потери при остановке при 50 °C	W	74
ЭКСПЛУАТАЦИОННЫЕ ПОКАЗАТЕЛИ В РЕЖИМЕ ГВС		
Номинальная тепловая нагрузка	кВт	25,5
Минимальная тепловая нагрузка (G20)	кВт	9,2
Минимальная тепловая нагрузка (G30/G31)	кВт	9,2
Удельный расход ГВС ΔT 30°C (EN 13203)	л/мин	10,6
Постоянный расход ГВС (ΔT 25°C / ΔT 35°C)	л/мин	13,1 / 9,3
Минимальный расход ГВС	л/мин	2,2
Макс. / мин. давление	бар / кПа	7 / 0,4 / 700 / 40
ЭЛЕКТРИЧЕСКИЕ ХАРАКТЕРИСТИКИ		
Напряжение электропитания	V	230
Частота	Hz	50
Потребляемая мощность	W	112
Класс электрической защиты	IP	X5D
ХАРАКТЕРИСТИКИ СГОРАНИЯ		
Температура дымовых газов при макс. / мин. тепловой нагрузке (80-60°C) с отдельными дымоходами (*)	°C	143,5 / 109,7
Температура дымовых газов при макс. / мин. тепловой нагрузке (80-60°C) с концентрическими дымоходами (**)	°C	108,4 / 84,7
Макс. / мин. массовый расход дымовых газов	g/s / kg/h	16,9 / 17,2 / 60,84 / 61,92
CO ₂ при макс. / мин. нагрузке (G20) с отдельными трубопроводами для отвода дыма и забора воздуха (*)	%	5,9 / 1,9
CO ₂ на макс. / мин. расход (G30/G31) с отдельными дымоходами (*)	%	7,1 / 2,2
CO ₂ на макс. / мин. расход (G20) с концентрическими дымоходами (**)	%	6,3 / 2,0
CO ₂ на макс. / мин. расход (G30/G31) с концентрическими дымоходами (**)	%	7,3 / 2,3
Замеренный Nox	мг/кВт ч	78
СОПЛА - ГАЗ		
Кол-во сопел	шт.	11
Диаметр сопел (G20)	мм	1,3
Диаметр сопел (G30/G31)	мм	0,8
Расход газа при макс. / мин. нагрузке (G20)	м ³ /h	2,70 / 0,97
Расход газа при макс. / мин. нагрузке (G30)	kg/h	2,01 / 0,72
Расход газа при макс. / мин. нагрузке (G31)	kg/h	1,98 / 0,71
Давление подачи газа (G20)	мбар / кПа	20 / 2
Давление подачи газа (G30/G31)	мбар / кПа	29 / 37 / 2,9 / 3,7
ПОКАЗАТЕЛИ ТЕМПЕРАТУРЫ / ДАВЛЕНИЯ		
Макс. рабочая температура	°C	85
Диапазон регулирования температуры в режиме отопления	°C	20 ÷ 80
Диапазон регулирования температуры в режиме ГВС	°C	37 ÷ 60
Макс. рабочее давление	бар / кПа	3 / 300
Объем котловой воды	л	3,05

(*) С минимальной длиной дымохода

(**) С максимальной длиной дымохода

Низшая теплотворная способность (Hi):

G20 Hi. 9,45 кВт/м³ (15°C, 1013 мбар) - **G30 Hi.** 12,68 кВт/кг (15°C, 1013 мбар) - **G31 Hi.** 12,87 кВт/кг (15°C, 1013 мбар)

5.7 Принципиальная гидравлическая схема

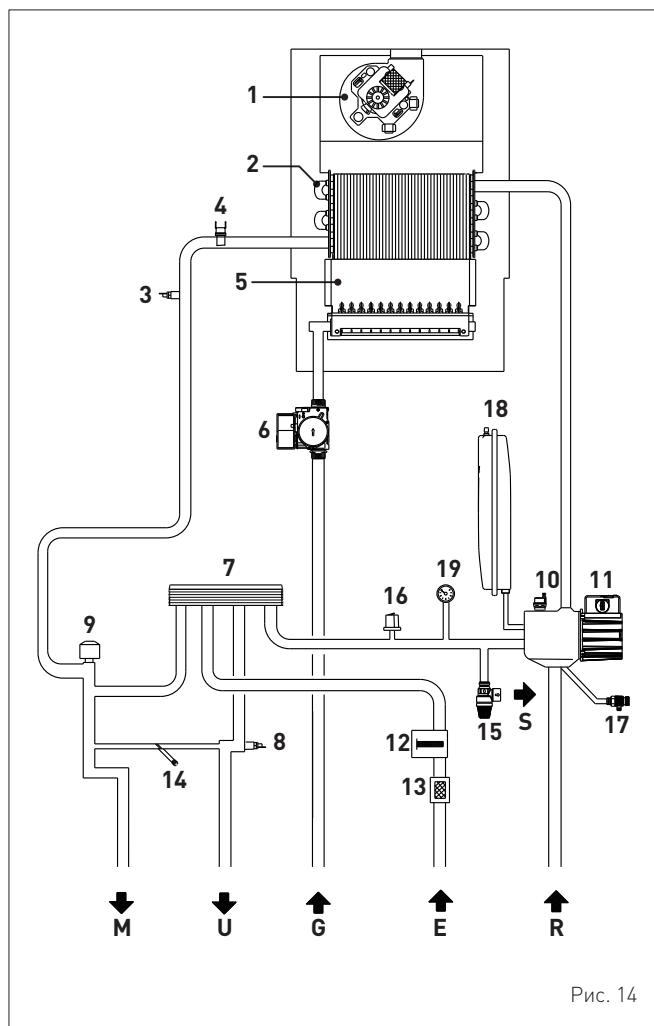


Рис. 14

УСЛОВНЫЕ ОБОЗНАЧЕНИЯ:

- M Нагнетание отопления
- R Возврат отопления
- U Выход ГВС
- E Вход ГВС
- SVI Предохранительный клапан системы нагнетания
- G Подача газа

- 1 Вентилятор
- 2 Теплообменник (монотермический)
- 3 Предохранительный термостат
- 4 Зонд нагнетания
- 5 Камера сгорания
- 6 Газовый клапан
- 7 Теплообменник ГВС
- 8 Датчик температуры ГВС
- 9 Переключательный клапан
- 10 Автоматический воздушный клапан
- 11 Насос
- 12 Расходомер в системе ГВС
- 13 Фильтр в системе ГВС
- 14 Узел наполнения системы отопления
- 15 Предохранительный клапан системы отопления
- 16 Реле давления воды
- 17 Слив котла
- 18 Расширительный бак системы отопления
- 19 Манометр для измерения давления воды

5.8 Датчики

Установленные датчики имеют следующие характеристики:

- зонд нагнетания контура отопления NTC R25°C; номинальное сопротивление 10 кОм при 825/85°C: 3435
- датчик температуры ГВС NTC R25°C; номинальное сопротивление 10 кОм при 825/85°C: 3435
- датчик наружной температуры NTC R25°C; номинальное сопротивление 10 кОм при 825/85°C: 3435

Соотношение измеренной температуры/сопротивления

Примеры показаний:

$TR=75^{\circ}C \rightarrow R=1925\Omega$

$TR=80^{\circ}C \rightarrow R=1669\Omega$

TR	0°C	1°C	2°C	3°C	4°C	5°C	6°C	7°C	8°C	9°C	сопротивления R (Ω)
0°C	27279	26135	25044	24004	23014	22069	21168	20309	19489	18706	
10°C	17959	17245	16563	15912	15289	14694	14126	13582	13062	12565	
20°C	12090	11634	11199	10781	10382	9999	9633	9281	8945	8622	
30°C	8313	8016	7731	7458	7196	6944	6702	6470	6247	6033	
40°C	5828	5630	5440	5258	5082	4913	4751	4595	4444	4300	
50°C	4161	4026	3897	3773	3653	3538	3426	3319	3216	3116	
60°C	3021	2928	2839	2753	2669	2589	2512	2437	2365	2296	
70°C	2229	2164	2101	2040	1982	1925	1870	1817	1766	1717	
80°C	1669	1622	1577	1534	1491	1451	1411	1373	1336	1300	
90°C	1266	1232	1199	1168	1137	1108	1079	1051	1024	998	
100°C	973										

5.9 Расширительный бак

Установленный в котлах расширительный бак имеет следующие характеристики:

(*) Условия:

Средняя рабочая температура 70°C (с высокотемпературной системой 80/60°C)

Температура перед наполнением системы отопления 10°C.



ПРЕДУПРЕЖДЕНИЕ!

- Для систем отопления, содержание воды в которых превышает максимальную емкость котла (указанную в таблице) необходимо предусмотреть дополнительный расширительный бак.
- Разность уровней предохранительного клапана и самой высокой точки системы отопления не должна превышать 6 метров. При большей разности необходимо увеличить предварительное давление расширительного бака и системы отопления в охлажденном состоянии на 0,1 бар на каждый дополнительный метр разности.

5.10 Циркуляционный насос

Ниже помещен график отношения подачи-напора (характеристики насоса) в системе отопления.

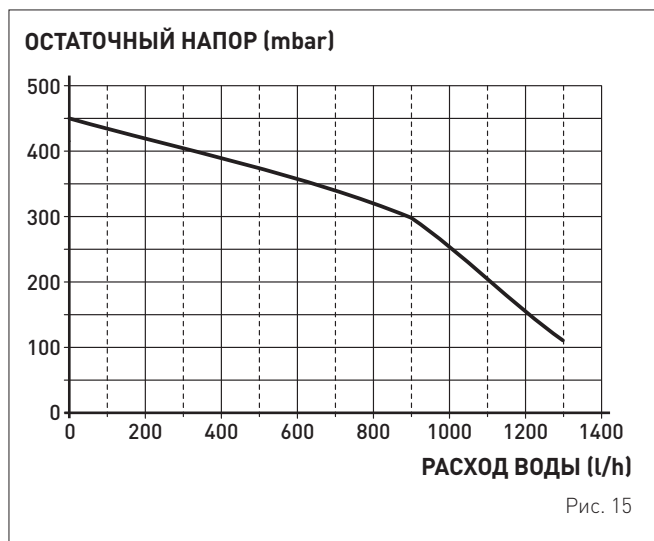


Рис. 15

5.11 Панель управления

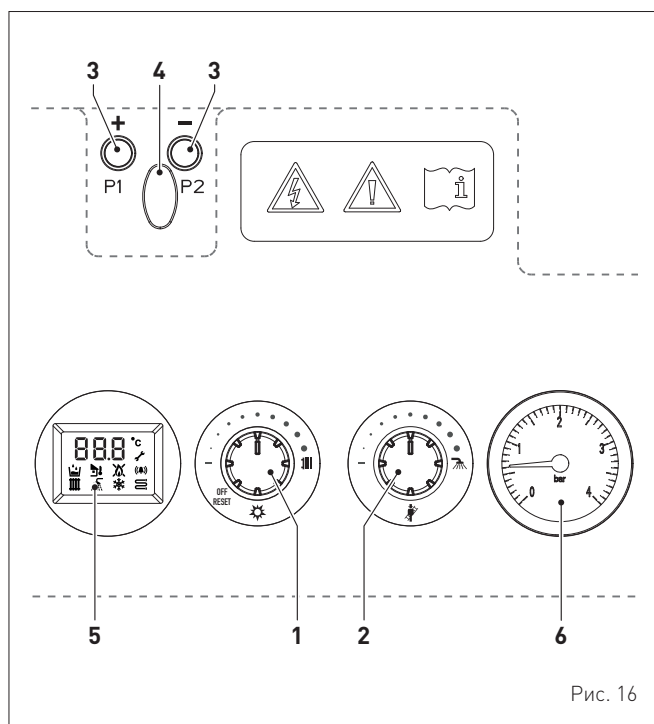


Рис. 16

1 МНОГФУНКЦИОНАЛЬНАЯ РУЧКА-РЕГУЛЯТОР СИСТЕМЫ ОТОПЛЕНИЯ

Ручка-регулятор системы отопления в процессе нормального функционирования позволяет:

выбирать «режим ЗИМА» (Система отопления и ГВС) и задавать уставку.

выбирать «режим ЛЕТО» (только ГВС).

OFF выключенный котел с исключением всех запросов пара. Однако, остаются активными функции: защиты от замерзания, защиты от заедания насоса и трехходового клапана.

RESET разблокирование системы после остановки из-за постоянной блокировки. Для сброса необходимо повернуть ручку на "OFF/Reset"; затем подождите, пока на дисплее появится надпись "RES", и поверните ручку обратно в предыдущее положение.

2 МНОГФУНКЦИОНАЛЬНАЯ РУЧКА-РЕГУЛЯТОР ГВС

Ручка-регулятор ГВС в процессе нормального функционирования позволяет:

задавать уставку ГВС.

установить «функцию трубочист».

3 РАБОЧИЕ КНОПКИ

+ - Кнопки **+** и **-** (рабочие кнопки) предусмотрены для квалифицированного персонала, который посредством соответствующих операций, описанных в специальных разделах, может осуществлять процедуры конфигурации, калибровки и настройки системы, котла-системы.

4 РАБОЧИЙ РАЗЪЕМ

Заглушка разъема для программирования.



ПРЕДУПРЕЖДЕНИЕ!

Кнопки **+**, **-** и разъем **НЕ** доступны для пользователя, а только для Технического квалифицированного персонала.

5 ДИСПЛЕЙ



“ЗАЩИТА ОТ ЗАМЕРЗАНИЯ”. Данный символ присутствует в режиме функционирования Защиты от замерзания. При включении котла, будет также присутствовать символ или символ в зависимости от типа защиты от замерзания (соответственно ГВС или система отопления).



“ГВС”. Данный символ присутствует, когда котел греет воду для ГВС; во время настройки уставки температуры воды для ГВС символ мигает.



“СИСТЕМА ОТОПЛЕНИЯ”. Данный символ горит ровным светом, когда котел греет воду для отопления; во время настройки уставки температуры воды для отопления символ мигает.



“НАЛИЧИЕ ПЛАМЕНИ”. Данный символ горит ровным светом при функционировании горелки, когда системой определяется наличие пламени.



“БЛОКИРОВКА» В СВЯЗИ С ОТСУТСТВИЕМ ПЛАМЕНИ. Данный символ горит ровным светом, когда системой НЕ определяется наличие пламени.



“АВАРИЙНЫЙ СИГНАЛ”. Указывает на выявление неисправности. Присутствие дополнительного символа указывает вызвавшую ее причину (см. параграф “Коды аномалий и возможные меры устранения”).



“ТЕМПЕРАТУРА”. Отображается значение температуры, выраженное в градусах Цельсия.



“ДАТЧИК НАРУЖНОЙ ТЕМПЕРАТУРЫ”. Данный символ присутствует при определении платой подсоединенного датчика наружной температуры. Для изменения кривой датчика наружной температуры поверните многофункциональную ручку отопления .



“ДАВЛЕНИЕ ВОДЫ”. Данный символ присутствует одновременно с символом и сигнализирует на отсутствие давления воды в контуре отопления.



“ТРУБОЧИСТ”. Данный символ присутствует одновременно с символом и сигнализирует на необходимость активации функции «Трубочист».



“ИЗБИТОЧНАЯ ТЕМПЕРАТУРА”. Данный символ мигает при достижении температурой чрезмерно высокого и потенциально опасного уровня.

6 МАНОМЕТР

5.12 Электрическая схема

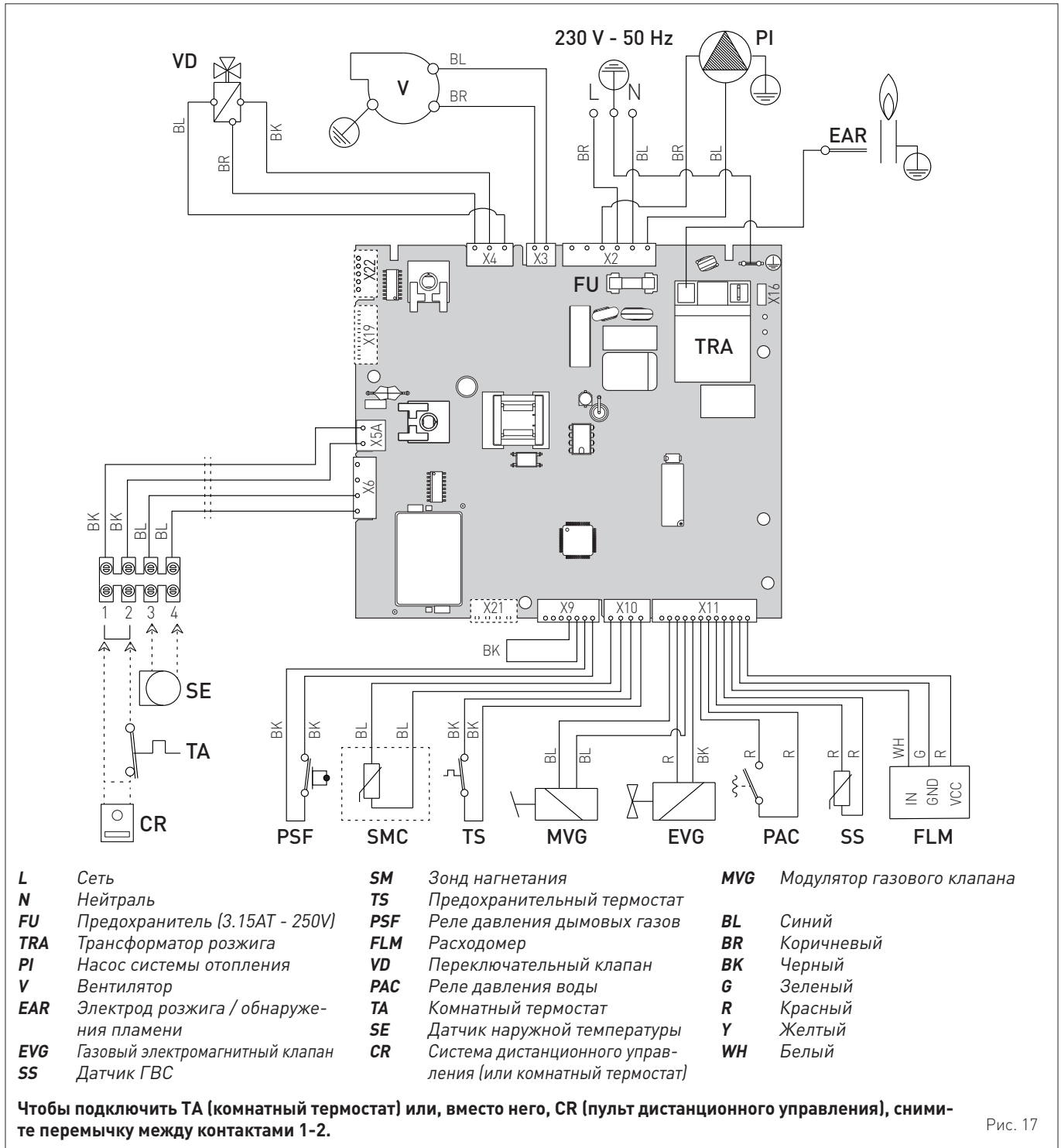


Рис. 17



ПРЕДУПРЕЖДЕНИЕ!
Обязательные требования:

- Установите всеполюсный автоматический выключатель, сетевой разъединитель, соответствующий требованиям европейских стандартов EN, который обеспечивает полное разъединение в условиях категории избыточного напряжения III (то есть, по меньшей мере, с расстоянием 3 мм между разомкнутыми контактами).
- Держите кабели питания всегда отдельно от сигнальных кабелей. чтобы избежать проблем с помехами, всегда используйте экранированные сигнальные кабели.
- Не нарушайте соединение L (фаза) - N (нейтраль).
- С помощью заземляющего кабеля подключите котел к надежной системе заземления.



ПРЕДУПРЕЖДЕНИЕ!
Обязательные требования:

- Поскольку подключение питания системы относится к типу "Y", замена кабеля питания может производиться только производителем или сервисной службой.



ПРЕДУПРЕЖДЕНИЕ!

Производитель не несет ответственности за ущерб, полученный вследствие неподключения аппарата к системе заземления и нарушения электрических схем.



ЗАПРЕЩЕНО

Для заземления котла используйте водопроводные трубы.

ИНСТРУКЦИИ ПО УСТАНОВКЕ И ТЕХОБСЛУЖИВАНИЮ

ОГЛАВЛЕНИЕ

6	МОНТАЖ	60	7	ЗАПУСК КОТЛА	71
6.1	Приемка товара	60	7.1	Предварительные работы	71
6.2	Габаритные размеры и вес	60	7.2	Первый запуск котла	71
6.3	Перемещение	60	7.3	Отображение и настройка параметров	72
6.4	Помещение для установки	61	7.4	Список параметров	73
6.5	Установка в новой системе или замена в уже существующий гидравлической системе	61	7.5	Визуализация аварийных сигналов/неисправностей	73
6.6	Очистка системы	61	7.6	Проверки и регулировки	73
6.7	Обработка воды в системе	62	7.6.1	Функция "Трубочист" и калибровка газового клапана	73
6.8	Монтаж котла	62	7.7	Смена типа питающего газа	76
6.9	Гидравлические подключения	62			
6.9.1	Гидравлические аксессуары (опция)	62	8	ТЕХНИЧЕСКОЕ ОБСЛУЖИВАНИЕ	78
6.10	Теплоизоляция трубопроводов	63	8.1	Уход	78
6.11	Питающий газ	63	8.2	Наружная чистка	78
6.12	Системы отвода дымовых газов и забора воздуха для горения	63	8.2.1	Чистка панелей корпуса	78
6.12.1	Коаксиальные трубопроводы (Ø 60/100мм и 80/125мм)	65	8.3	Внутренняя чистка	78
6.12.2	Раздельные трубопроводы (Ø 80 мм)	65	8.3.1	Чистка теплообменника	78
6.13	Электрические подключения	67	8.3.2	Чистка горелки	79
6.13.1	Датчик внешней температуры	68	8.3.3	Проверка электрода розжига / обнаружения пламени	79
6.13.2	Программируемый или комнатный термостат	68	8.3.4	Заключительные работы	79
6.13.3	ПРИМЕРЫ использования устройств управления/контроля в некоторых вариантах системы отопления	68	8.4	Проверки	79
6.14	Наполнение и опорожнение	69	8.4.1	Проверка трубопроводов системы отвода газовых дымов и забора воздуха горения	79
6.14.1	Процедура НАПОЛНЕНИЯ	69	8.4.2	Проверка нагнетания давления расширительного бака	79
6.14.2	Процедура ОПОРОЖНЕНИЯ	70	8.5	Внеочередное техобслуживание	79
			8.6	Коды аномалий и возможные меры устранения	80

6 МОНТАЖ



ПРЕДУПРЕЖДЕНИЕ!

Работы по установке прибора должны выполняться исключительно технической службой **Sime** или квалифицированным персоналом с **ОБЯЗАТЕЛЬНЫМ** использованием надлежащих средств защиты.

6.1 Приемка товара

Котлы **GO BF** поставляются в единой упаковке, помещенной в картонную коробку.

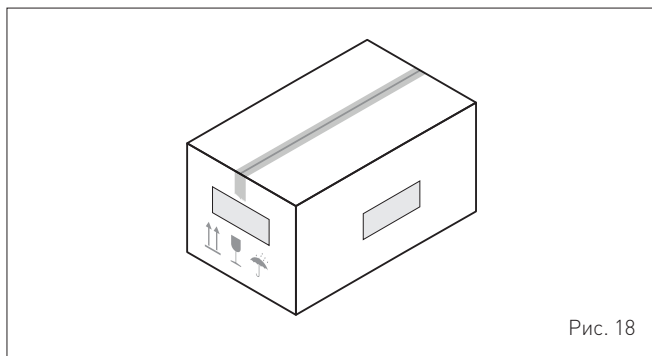


Рис. 18

В целлофановом пакете, который вы найдете внутри упаковки, содержатся следующие документы и материалы:

- инструкция по монтажу, эксплуатации и техническому обслуживанию
- бумажный шаблон для монтажа котла
- акт гидравлического испытания
- Паспорт
- Диафрагма
- упаковка с расширяющимися дюбелями

В целлофановом пакете, который вы найдете внутри упаковки, содержатся следующие документы и материалы:

- инструкция по монтажу, эксплуатации и техническому обслуживанию
- бумажный шаблон для монтажа котла
- акт гидравлического испытания
- Диафрагма
- упаковка с расширяющимися дюбелями



ЗАПРЕЩЕНО

Запрещено выбрасывать в окружающую среду и оставлять в досягаемости детей упаковочные материалы в виду их потенциальной опасности. Их необходимо утилизировать в соответствии с требованиями действующего законодательства.

6.2 Габаритные размеры и вес

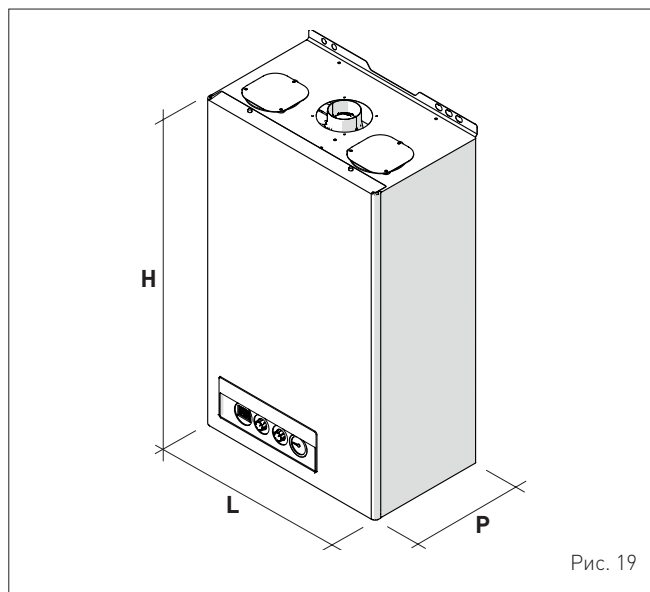


Рис. 19

Описание	GO BF
	18/25
L (мм)	420
P (мм)	255
H (мм)	700
Вес (кг)	28

6.3 Перемещение

После распаковки упаковки прибор переносится вручную, наклоняясь и поднимаясь за "твердые" части, такие как основание и конструкция, как показано на рисунке.

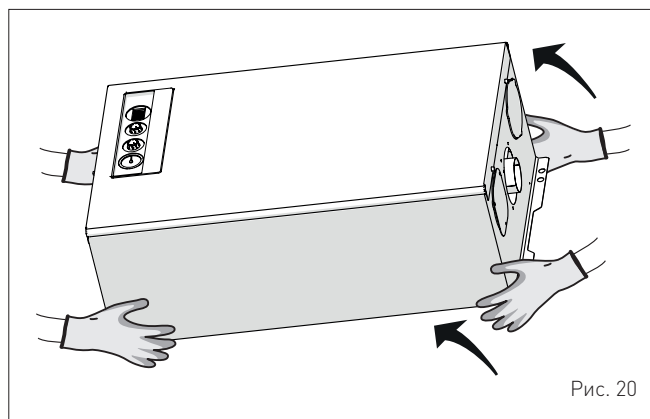


Рис. 20



ВНИМАНИЕ

При распаковке и перемещении аппарата используйте необходимые средства индивидуальной защиты. Соблюдать максимальный вес, поднимаемый человеком.

6.4 Помещение для установки

Помещение, предназначенное для установки котла, должно соответствовать требованиям технических стандартов и действующего законодательства. Оно должно быть оснащено вентиляционными отверстиями соответствующих размеров в случае, когда установка относится к «ТИПУ В». Кроме того, оно должно быть выполнено таким образом, при котором во время работы котла обеспечивался бы как можно более низкий уровень шума.

Минимальная температура в помещении НЕ должна опускаться ниже **-5 °C**.



ПРЕДУПРЕЖДЕНИЕ!

- Обязательно размещайте устройство в местах, защищенных от длительного воздействия солнечного света, плохой погоды, влажной и сырой среды.
- Перед установкой прибора монтажник **ДОЛЖЕН** убедиться в способности стены выдержать вес прибора.
- При монтаже необходимо учесть расстояния, необходимые для доступа к устройствам безопасности/регулировки и выполнения работ по техническому обслуживанию (см. Рис. 21).

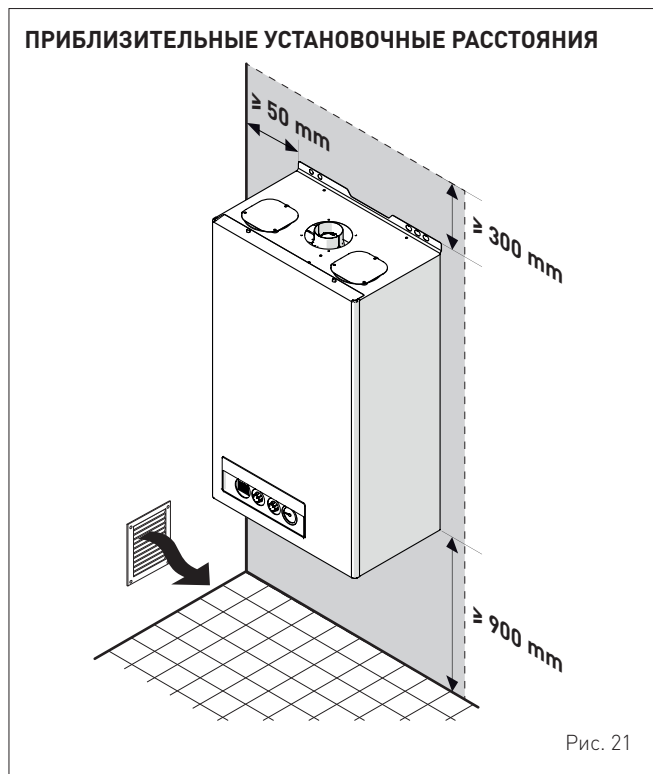


Рис. 21



ПРЕДУПРЕЖДЕНИЕ!

- Для котлов с коаксиальным дымоходом не требуется соблюдать минимальное расстояние от воспламеняющихся стен, так как при нормальной работе котла температура трубопровода никогда не достигает высоких значений (разница температур между стеной и окружающим воздухом никогда не превышает 60 K).
- Для котлов с раздвоенными впускным и выпускным трубопроводами при наличии воспламеняющихся стен и проходов установите изоляционную защиту между стеной и трубопроводом для отвода дымовых газов.

6.5 Установка в новой системе или замена в уже существующей гидравлической системе

В случае, когда котлы **GO BF** устанавливаются в новых системах или при замене существующих систем, рекомендуется производить следующие проверки:

- убедиться, что дымовая труба рассчитана на температуру дымовых газов, спроектирована и изготовлена в соответствии с требованиями действующего законодательства, является по возможности прямой, герметичной, изолированной, ничем не закупорена и частично не перекрыта и оборудована системой сбора и отвода конденсата
- убедиться, что электрическая проводка проложена и подключена в соответствии с требованиями соответствующих действующих норм и стандартов квалифицированным персоналом
- убедиться, что трубопровод подачи топлива и бак для сжиженного газа (при его наличии) изготовлены в соответствии с требованиями соответствующих действующих норм и стандартов
- убедиться, что расширительный бак способен принять весь объем расширения жидкости, содержащейся в системе отопления
- убедиться, что подача и напор насоса соответствуют характеристикам системы
- убедиться, что система промыта и очищена от грязи и накипи, что в ней нет воздуха и она полностью герметична. Очистке системы посвящен отдельный пункт инструкции
- убедиться, что в линии заполнения системы отопления имеется устройство, ответственность за приобретение и монтаж которого возлагается на установщика, которое препятствовало бы возврату воды, не являющейся питьевой, в сеть водоснабжения.



ПРЕДУПРЕЖДЕНИЕ!

Производитель не несет ответственности за ущерб, полученный вследствие неправильной конструкции системы отвода газовых дымов.

6.6 Очистка системы

Прежде чем установить котел в новую или уже существующую гидравлическую систему взамен старого теплового генератора, очень важно тщательно промыть и очистить систему от грязи, мусора, остатков монтажных материалов и т.д. Прежде чем демонтировать старый генератор в уже существующих системах рекомендуется:

- добавить средство против образования накипи в воду системы
- заставить систему с генератором активно работать в течение нескольких дней
- слить грязную воду и промыть систему чистой водой один или несколько раз.

Если старый тепловой генератор уже демонтирован или не может быть использован, установите вместо него насос, который обеспечит циркуляцию воды в системе, и повторите вышеописанную процедуру.

По окончании промывки перед установкой нового котла рекомендуется добавить в воду системы средство защиты от коррозии и накипи.



ПРЕДУПРЕЖДЕНИЕ!

- Более подробную информацию о типах и использовании добавок можно узнать у производителя котла.
- Напоминаем, что следует **ОБЯЗАТЕЛЬНО** установить Y-образный фильтр, не входит в комплект поставки прибора, на обратной линии (R) системы отопления.
- Рекомендуется установить дефлектор, не входящий в комплект поставки, перед Y-образным фильтром для сбора и отделения примесей в системе.

6.7 Обработка воды в системе

Для наполнения и добавления воды в систему (при необходимости) рекомендуется использовать воду, имеющую следующие характеристики:

- внешний вид: как можно более прозрачная
- pH: 6÷8
- жесткость: < 25°f.

Если характеристики воды отличаются от указанных, рекомендуется установить предохранительный фильтр в трубопроводе подачи воды и систему химической обработки для защиты от накипи и коррозии, которые могут поставить под угрозу исправную работу котла.

Если система работает только в низкотемпературном режиме, рекомендуется применять вещества, препятствующие размножению бактерий.

В любом случае необходимо соблюдать требования законодательства и технических стандартов, действующих в стране использования устройства.

6.8 Монтаж котла

Котлы **GO BF** поставляются в комплекте с бумажным шаблоном для их монтажа на прочной стене.

Чтобы установить котел:

- приложите бумажный шаблон (1) к стене (2), предназначенной для монтажа котла
- просверлите отверстия в отмеченных точках и вставьте в них расширяющиеся дюбели (3)
- навесьте котел на дюбели.

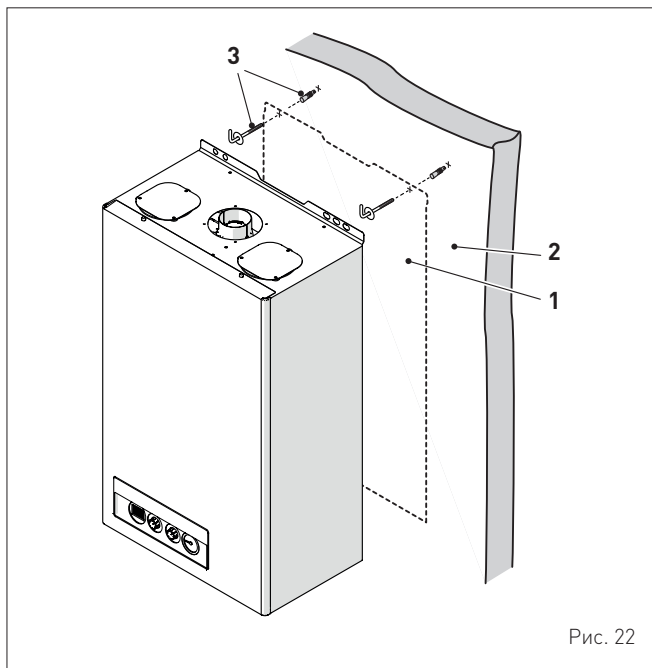


Рис. 22



ПРЕДУПРЕЖДЕНИЕ!

Котел необходимо навесить на высоте, удобной для работ по демонтажу и техническому обслуживанию.



ПРЕДУПРЕЖДЕНИЕ!

Важно, чтобы автомат горения был установлен строго вертикально и горизонтально. С помощью спиртового уровня или подходящего инструмента убедитесь, что он установлен строго вертикально и горизонтально. При необходимости вставьте подходящие распорки, чтобы установить устройство в правильное рабочее положение.

6.9 Гидравлические подключения

Ниже указаны характеристики и размеры гидравлических соединений.

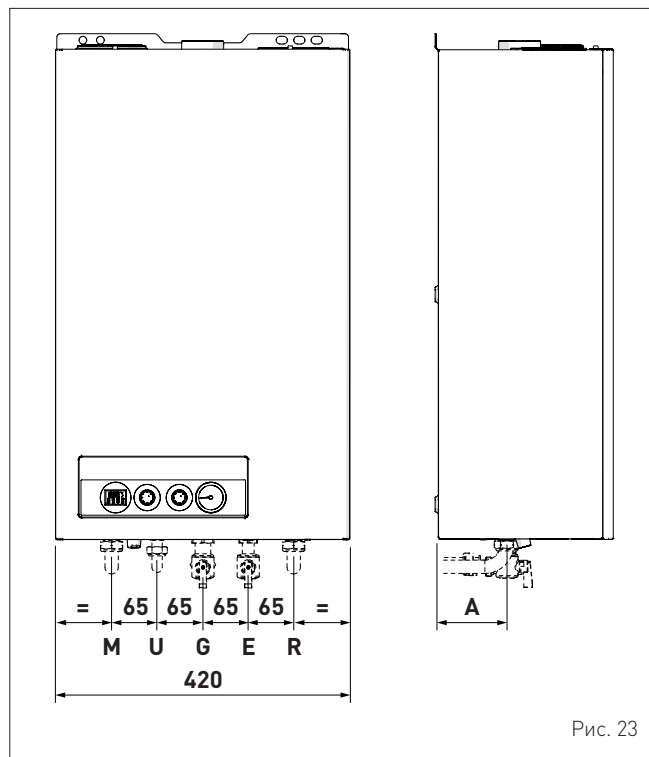


Рис. 23

Описание	GO BF
	18/25
M - Нагнетание отопления	Ø 3/4" G
R - Возврат отопления	Ø 3/4" G
U - Выход ГВС	Ø 1/2" G
E - Вход ГВС	Ø 1/2" G
G - Подача газа	Ø 3/4" G
A (mm)	101



ВНИМАНИЕ

Отводящую часть всех установленных предохранительных клапанов следует подсоединить к соответствующей системе сбора и отвода дымовых газов с помощью подходящих трубопроводов. Производитель не несет ответственность за затопление или повреждение электрооборудования, вызванное срабатыванием предохранительного клапана.

6.9.1 Гидравлические аксессуары (опция)

Чтобы упростить подключение котла к газовой и гидравлической системам, можно использовать перечисленные в таблице аксессуары. Последние поставляются по отдельному заказу.

ОПИСАНИЕ	КОД
Монтажная пластина	8075448
Комплект колен	8075428
Комплект кранов	8091806
Комплект запчастей других марок для настенных котлов	8093900
Комплект дозатора полифосфатов	8101700
Комплект зарядки дозатора	8101710

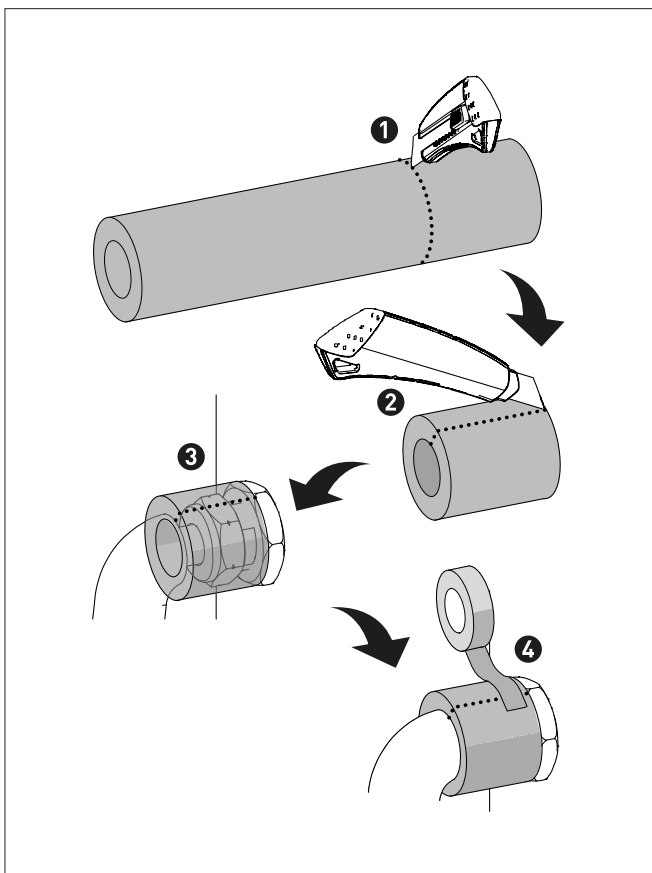
ПРИМЕЧАНИЕ: Инструкции по использованию каждого комплекта поставляются вместе с соответствующим аксессуаром или указаны на упаковке.

6.10 Теплоизоляция трубопроводов



ПРЕДУПРЕЖДЕНИЕ!

По окончании монтажных работ необходимо произвести теплоизоляцию открытых частей труб и фитингов, используя теплоизоляционную трубу надлежащих размеров.



6.11 Питающий газ

В соответствии с заводскими настройками котлы **GO BF** приспособлены для питания газом G20 или G30/G31. Модели, предназначенные для питания G20, можно переоборудовать для питания G30/G31 с помощью "специального комплекта сопел" (опция), поставляемого **Sime** по отдельному заказу. В случае изменения используемого типа газа, следует полностью выполнить процедуру "СМЕНА ТИПА ПИТАЮЩЕГО ГАЗА" котла.

Подключение котла к питающей газовой системе должно быть выполнено в соответствии с нормами и правилами установки, действующими в стране использования устройства.

Прежде чем приступить к подключению, необходимо удостовериться, что:

- тип подаваемого газа соответствует предусмотренному для котла
- все трубопроводы тщательно очищены
- трубопровод для подачи газа размерами, равными или превышающими размеры соединения котла (G 3/4"), с гарантией минимального динамического давления, указанного в главе "Проверки и регулировки".



ВНИМАНИЕ

По завершении монтажа проверьте герметичность всех соединений в соответствии с действующими нормами и правилами установки.



ПРЕДУПРЕЖДЕНИЕ!

На газопроводе рекомендуется установить соответствующий фильтр.



ПРЕДУПРЕЖДЕНИЕ!

В случае изменения типа подаваемого газа с G20 на G30 или G31, следует отметить специальный квадратик на ПАСПОРТНОЙ ТАБЛИЧКЕ.

G30 - 30 mbar



Или:

G31 - 37 mbar



6.12 Системы отвода дымовых газов и забора воздуха для горения

Котлы **GO BF** должны быть оснащены соответствующими дымоходами для отвода дымовых газов и воздухопроводами для забора воздуха горения. Дымоходы/воздуховоды являются неотъемлемой частью котла и поставляются **Sime** в комплекте аксессуаров. Комплект дымоходов/воздуховодов заказывается отдельно с учетом разрешенных в месте установке типов и требований системы.



ВНИМАНИЕ!

- Трубопровод для отвода продуктов горения и соединение с дымоходом должны соответствовать требованиям действующего национального законодательства и местных норм страны использования устройства.
- Обязательным является использование герметичных жестких термостойких трубопроводов, устойчивых к воздействию конденсата и механическим нагрузкам.
- Неизолированные трубопроводы для отвода дымовых газов являются источником потенциальной опасности.
- Трубопроводы для отвода дымовых газов могут быть изготовлены из алюминия или нержавеющей стали.

Разрешенные типы вытяжек и воздуховодов

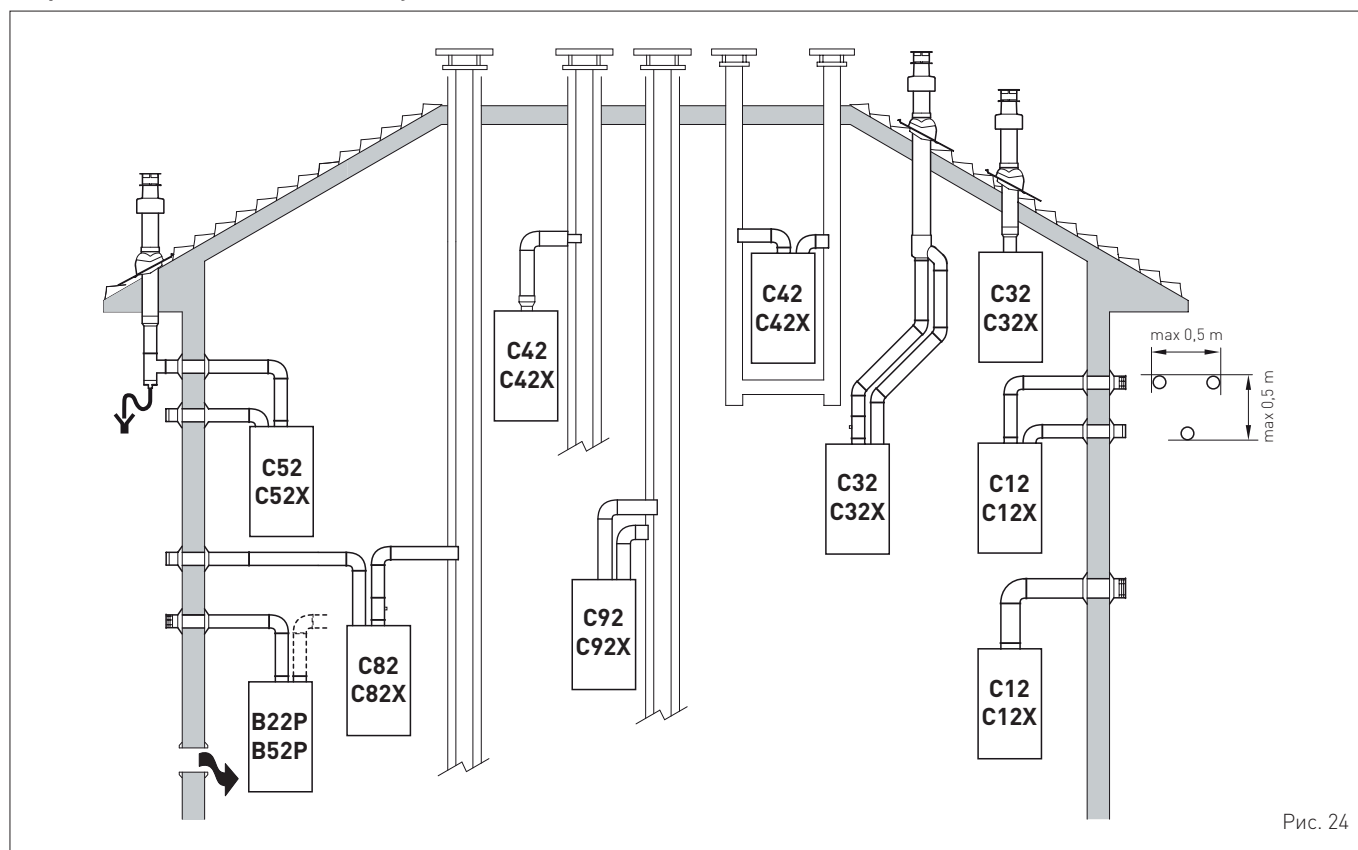


Рис. 24

Отвод дымовых газов	Описание	Коаксиальные трубопроводы		Раздельные трубопроводы		
		Ø 60/100	Ø 80/125	Ø 80	Ø 60	Ø 50
B22P-B52P	Забор воздуха для горения в помещении и отвод дымовых газов наружу. ПРИМЕЧАНИЕ: отверстие для забора воздуха для горения (6 см ² x кВт)			X		
C12-C12X	Аппарат, предназначенный для подключения через свои воздуховоды к горизонтальному терминалу, который одновременно обеспечивает поступление воздуха для горения и отвод дыма через концентрические отверстия или достаточно близко (* Qn Max < 70 кВт = в пределах 50 см, Qn Max > 70 кВт = в пределах 100 см) для воздействия аналогичных ветровых условий.	X	X	X		
C32-C32X	Аппарат, предназначенный для подключения через воздуховоды к крышному терминалу, который позволяет воздуху для горения и отводу дыма через концентрические отверстия или достаточно близко (* Qn Max < 70 кВт = в пределах 50 см, Qn Max > 70 кВт = в пределах 100 см) для воздействия аналогичных ветровых условий.	X	X	X		
C42-C42X	Отвод дымовых газов и забор воздуха через общие или раздельные трубопроводы, на которые действуют одинаковые погодные условия. Котлы типа C4 пригодны для подсоединения к воздуховоду с естественной тягой, с максимальным разрежением 0,5 мбар. Температура перегретых продуктов сгорания равна 98°C	X	X	X		
C52-C52X	Отвод дымовых газов и забор воздуха по раздельным трубам через стену или крышу в зонах с разным давлением. ПРИМЕЧАНИЕ: отвод дымовых газов и забор воздуха для горения ни в коем случае не должны располагаться на противоположных стенах.			X		
C82-C82X	Отвод дымовых газов через отдельный или общий дымоход, забор воздуха через стену. Котлы типа C8 пригодны для подсоединения к воздуховоду с естественной тягой, с максимальным разрежением 2 мбар. Температура перегретых продуктов сгорания равна 98°C			X		
C92-C92X	Отвод дымовых газов и забор воздуха по раздельным воздуховодам через общий дымоход. Минимальное сечение воздуховода для подачи воздуха для горения составляет Ø 60 мм			X		
C62-C62X	Трубопроводы для отвода газовых дымов и забора воздуха изготовлены и сертифицированы отдельно. Температура перегретых продуктов сгорания составляет 98°C. Максимально допустимая рециркуляция равна 10% по сравнению с CO ₂ Номинал указан в таблице "Технические характеристики". Вытяжка и всасывание никогда не должны располагаться на противоположных стенах. Прибор не может быть подключен к обычной дымовой трубе, работающей в условиях положительного давления.					

P: система отвода дымовых газов спроектирована для работы при положительном давлении.

X: установлены приборы и соответствующие дымоотводы.

Все размеры выражены в мм.

6.12.1 Коаксиальные трубопроводы (Ø 60/100мм и 80/125мм)

Аксессуары для коаксиальных трубопроводов

Описание	Код	
	Ø 60/100 мм	Ø 80/125 мм
Комплект для коаксиального трубопровода	8084813	8084830
Удлинитель L = 1000 мм	8096103	8096130
Удлинитель, L = 500 мм	8096102	-
Вертикальный удлинитель, L = 200 мм с отверстием анализатора дыма	8086908	-
Переходник для Ø 80/125 мм	-	8093120
Дополнительное колено (90°)	8095801	8095820
Дополнительное колено (45°)	8095900	8095920
Черепица с шарниром	8091300	8091300
Наконечник трубопровода для отвода дымовых газов через крышу, L = 1284 мм	8091200	8091200
Вертикальный конденсатоотводчик, L = 200 мм	8092803	8092803

Потери напора - Эквивалентные длины

Модель	L экв. (линейные метры)	
	Ø 60/100 мм	Ø 80/125 мм
Колено 90°	1	1
Колено 45°	0,5	0,8

Мин./Макс. длина

Модель	Длина трубопровода Ø 60/100		Длина трубопровода Ø 80/125	
	L = длина горизонтального участка (м)		L = длина горизонтального участка (м)	
	Мин.	Макс.	Мин.	Макс.
GO 18/25- BF	-	3,0	1,3 (*)	4,0
			3,5	5,5
			4,0	6,0



ПРЕДУПРЕЖДЕНИЕ!

(*) В вертикальных системах отвода газовых дымов (типа С32) или на вертикальном участке систем отвода газовых дымов (типа С42) длиной больше 1,3 м необходимо ОБЯЗАТЕЛЬНО установить вертикальный конденсатоотводчик.

Диафрагмы для коаксиальных трубопроводов

Котлы поставляются в комплектации с диафрагмами (1), имеющими следующие характеристики:

- GO 18/25- BF: диафрагма Ø 81 мм

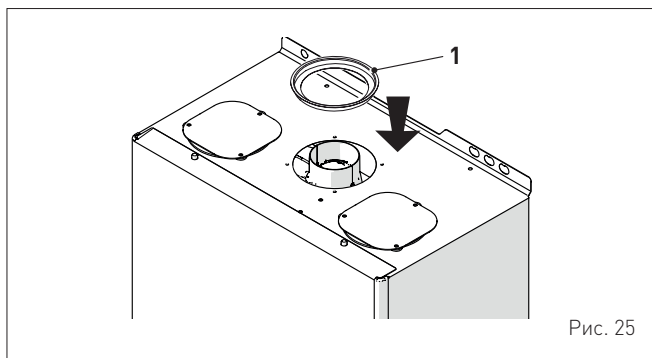


Рис. 25

В случае систем типа С12 или С42 диафрагму необходимо снять или оставить в зависимости от условий, изложенных ниже:

Модель	Диафрагма	для трубопровода длиной
GO 18/25- BF	SI (монтировать)	< 1 м
GO 18/25- BF	NO (не использовать)	> 1 м

В системе отвода дымовых газов типа С32 (прямой вертикальной без изгибов) диафрагма влияет на максимальную длину трубопровода следующим образом:

Модель	Диафрагма	Макс. L (м)
GO 18/25- BF	SI	1,5
	NO	4,0

6.12.2 Раздельные трубопроводы (Ø 80 мм)

В системах отвода дымовых газов и забора воздуха горения с раздельными трубопроводами необходимо использовать комплект код 8089915, поставляемый по отдельному заказу. Должны быть подключены некоторые другие аксессуары, перечисленные в таблице.

Общая максимальная длина, полученная путем сложения длин трубопроводов забора воздуха и отвода дымовых газов, определяется с учетом потерь напора из-за каждого установленного аксессуара и не должна превышать 9 мм вод. ст. для GO 18/25- BF.

Отдельные аксессуары

Описание	Код
	Диаметр Ø 80 (мм)
Комплект раздельных трубопроводов (фланец отвода дымовых газов, стакан забора воздуха и сегментная диафрагма) GO 18/25- BF	8089915
Колено 90° M-F (6 шт.)	8077410
Колено 90° M-F (с отверстием для забора проб)	8077407
Колено 90° M-F (изолированное)	8077408
Удлинитель, L = 1000 мм (6 шт.)	8077309
Удлинитель, L = 1000 мм (изолированный)	8077306
Удлинитель, L = 500 мм (6 шт.)	8077308
Удлинитель, L = 135 мм (с отверстием для забора проб)	8077304
Наконечник трубопровода для отвода дымовых газов через стену	8089501
Комплект внутренних и наружных зажимов	8091500
Наконечник трубопровода для забора воздуха	8089500
Колено 45° M-F (6 шт.)	8077411
Конденсатоотводчик, L = 135 мм	8092800
Коллектор	8091400
Черепица с шарниром	8091300
Наконечник трубопровода для отвода дымовых газов через крышу, L = 1390 мм	8091201
Конденсатоотводчик	8093300
Соединение забора воздуха/отвода газовых дымов Ø 80/125 мм	8091401

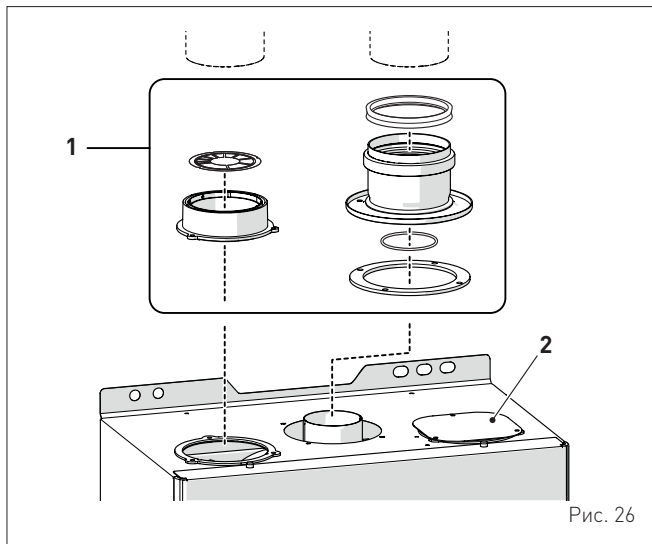


Рис. 26

УСЛОВНЫЕ ОБОЗНАЧЕНИЯ:

- 1 Комплект отдельных трубопроводов Ø80
- 2 Заглушка забора воздуха

Потери напора от аксессуаров Ø 80 мм

Описание	Код	Потеря напора (мм вод. ст.)	
		GO 18/25- BF	
		Забор воздуха	Отвод дымовых газов
Колена 90° MF	8077410	0,35	0,40
Колена 45° MF	8077411	0,30	0,35
Горизонтальный удлинитель, L = 1000 мм	8077309	0,20	0,30
Вертикальный удлинитель, L = 1000 мм	8077309	0,20	0,10
Наконечник для выхода через стену	8089501	0,15	0,50
Конденсатоотводчик	8093300	-	0,80
Наконечник трубопроводов для отвода дымовых газов и забора воздуха через крышу (*)	8091200	1,60	0,10

(*) В потерях напора от наконечника трубопровода для забора воздуха через крышу учтены и потери коллектора код 8091400.

ПРИМЕЧАНИЕ: в случае установки колена 90° в трубопроводе забора воздуха для обеспечения правильной работы котла необходимо оставить между трубопроводами расстояние не меньше 0,50 м.

Примеры расчета потерь напора котла GO 18/25- BF.

Аксессуары Ø 80 мм	Код	Кол-во	Потеря напора (мм вод. ст.)		
			Забор воздуха	Отвод дымовых газов	Всего
Удлинитель, L = 1000 мм (горизонтальный)	8077309	7	7 x 0,2	-	1,40
Удлинитель, L = 1000 мм (горизонтальный)	8077309	7	-	7 x 0,3	2,10
Колена 90°	8077410	2	2 x 0,35	-	0,70
Колена 90°	8077410	2	-	2 x 0,4	0,80
Наконечник для выхода через стену	8089501	2	0,15	0,5	0,65
ВСЕГО					5,65

(установка разрешена, поскольку суммарная потеря напора от всех используемых аксессуаров меньше 9,0 мм вод. ст.). При таком значении общих потерь необходимо снять с диафрагмы забора воздуха (2) сегменты от 1 до 6 включительно.

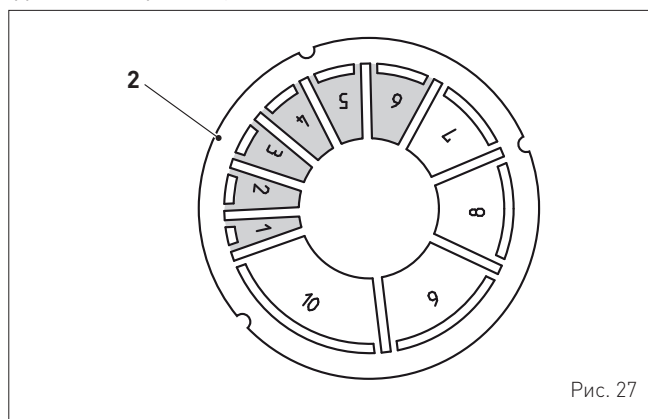


Рис. 27

Сегменты, которые необходимо снять	Общая потеря напора (мм вод. ст.)
	GO 18/25- BF
Ни одного	0 ÷ 2,0
1	2,0 ÷ 3,0
1 ÷ 2	3,0 ÷ 4,0
1 ÷ 3	-
1 ÷ 4	4,0 ÷ 5,0
1 ÷ 5	-
1 ÷ 6	5,0 ÷ 6,0
1 ÷ 7	6,0 ÷ 7,0
1 ÷ 8	-
1 ÷ 9	7,0 ÷ 8,0
1 ÷ 10	-
Всю диафрагму	8,0 ÷ 9,0 (*)

(*) Максимальные допустимые потери напора.

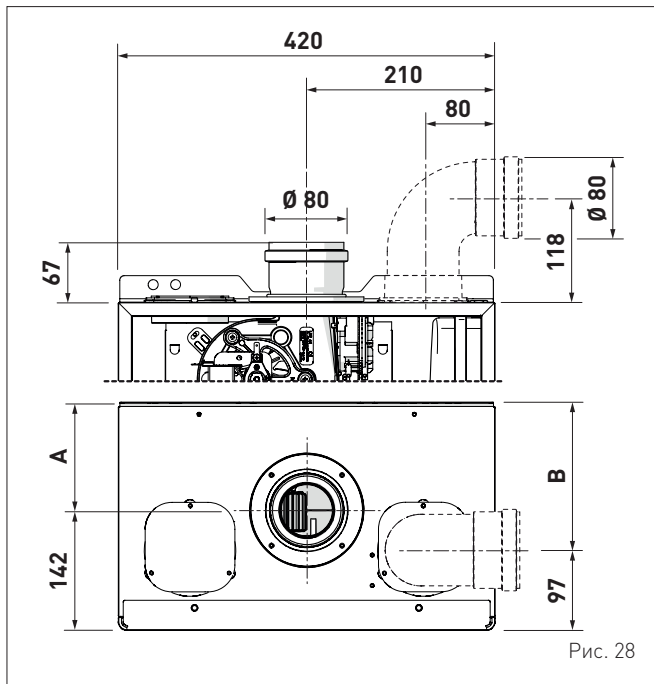


Рис. 28

Описание	GO 18/25- BF
A (мм)	120
B (мм)	165

6.13 Электрические подключения

Кабель питания должен быть подключен к сети 230В (±10%) ~ 50 Гц с соблюдением полярности L-N и заземления. На сети должен быть предусмотрен всеполюсный выключатель с категорией избыточного напряжения III, в соответствии с правилами установки.

В случае его замены необходимо заказать оригинальную запасную часть у Sime.

Таким образом, остается подключить только опционные компоненты, перечисленные в таблице. Последние поставляются по отдельному заказу.

ОПИСАНИЕ	КОД
Комплект датчика наружной температуры (β=3435, NTC 10 кОм при 25°C)	8094101
Дистанционное управление EASY HOME	8092279



ПРЕДУПРЕЖДЕНИЕ!

Описанные ниже работы могут быть выполнены ИСКЛЮЧИТЕЛЬНО квалифицированным персоналом.



ПРЕДУПРЕЖДЕНИЕ!

Обязательные условия:

- использование всеполюсного терромагнитного выключателя, сетевого разъединителя, соответствующего требованиям стандартов EN (размыкание контактов, по меньшей мере, 3 мм)
- поскольку подключение питания системы относится к типу "Y", замена кабеля питания может производиться только производителем или сервисной службой
- с помощью заземляющего кабеля подключите котел к надежной системе заземления
- держите кабели питания всегда отдельно от сигнальных кабелей. чтобы избежать проблем с помехами, всегда используйте экранированные сигнальные кабели
- перед началом любых работ на котле обесточьте аппарат, установив главный выключатель системы в положение "OFF" (выкл.).



ПРЕДУПРЕЖДЕНИЕ!

Производитель не несет ответственности за ущерб, полученный вследствие неподключения аппарата к системе заземления и нарушения электрических схем.



ЗАПРЕЩЕНО

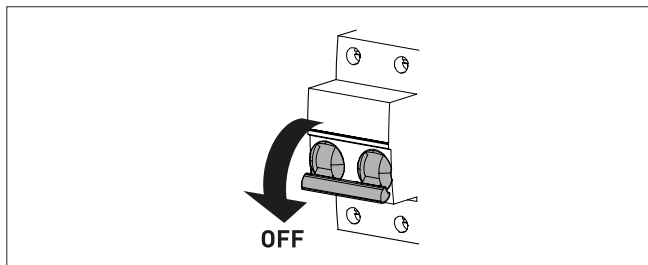
Для заземления котла используйте водопроводные трубы.



ВНИМАНИЕ

Перед началом описанных ниже работ:

- установите главный выключатель системы в положение "OFF" (выкл.)
- закройте газовый кран
- Кроме того, внимательно следите за тем, чтобы не прикасаться к горячим деталям внутри аппарата.



Для монтажа электропроводки опционных компонентов внутри котла:

- отверните два винта (1), потяните вперед и подтолкните вверх переднюю панель (2)

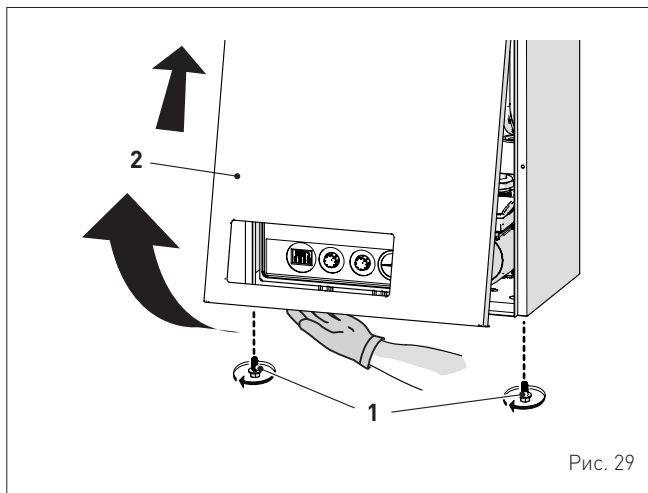
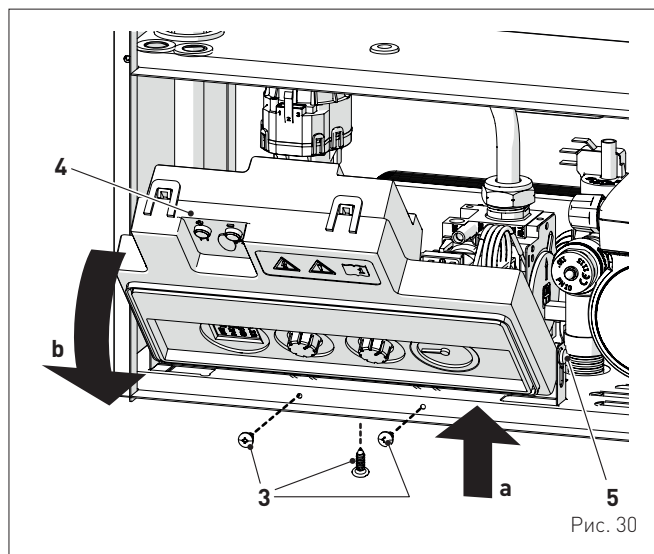
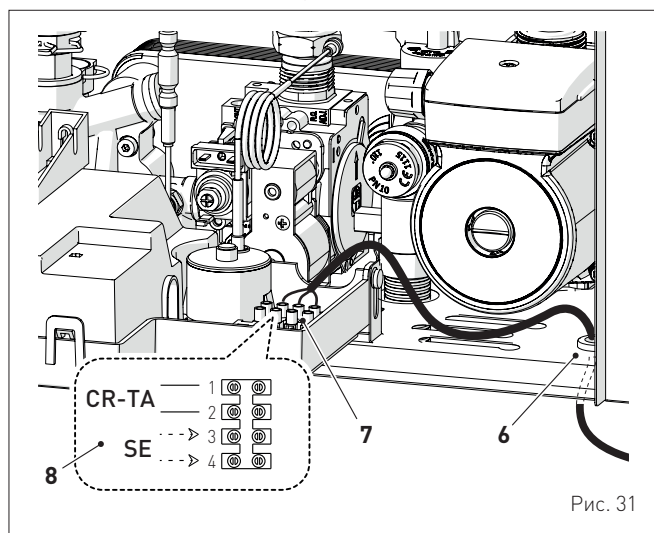


Рис. 29

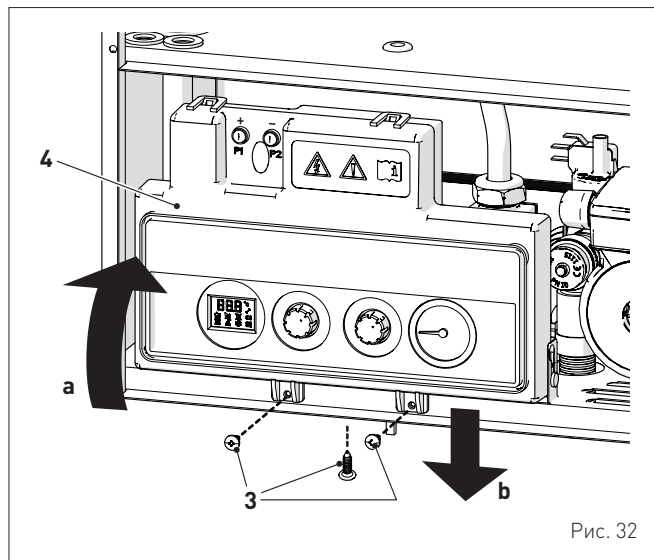
- снимите крепежные винты (3) блока управления (4)
- переместите блок управления (4) вверх по боковым направляющим (а) до ограничителя хода (5)
- поверните его вперед (b) так, чтобы он оказался в горизонтальном положении



- вставьте провода в гермоввод (6)
- подключите провода устройства к клеммной колодке (7) в соответствии с данными, указанными на табличке (8)



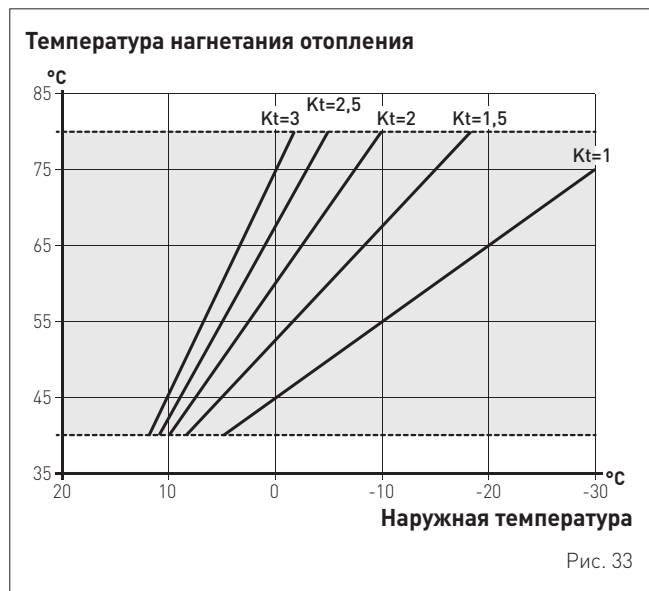
- установите блок управления (4) в исходное положение и зафиксируйте предварительно снятыми винтами (3).



6.13.1 Датчик внешней температуры

В котле предусмотрена возможность подключения к нему датчика измерения наружной температуры. Это означает, что температура на нагревании отопления будет изменяться в зависимости от наружной температуры по заданной климатической кривой (см. климатические кривые на графике) (Рис. 33). Климатическая кривая устанавливается посредством параметра "tS 0.4". Чтобы установить датчик наружной температуры снаружи здания, выполните инструкции, нанесенные упаковку или вложенные внутрь.

Климатические кривые



ПРЕДУПРЕЖДЕНИЕ!

При наличии датчика наружной температуры, устанавливаемое значение температуры отопления зависит от внешней выявленной датчиком температуры, а также коэффициента "Kt", установленного посредством параметра "tS 0.4". Поворачивая многофункциональную ручку системы отопления IIII, можно изменить рассчитанное установочное значение, смещая значение на + или - 13°C. Если ручка находится в положении OFF, отображается значение внешней температуры в °C.

6.13.2 Программируемый или комнатный термостат

Электрическое подключение программируемого или комнатного термостата было описано выше. Чтобы установить компонент управляемой зоны, выполните инструкции на упаковке.

6.13.3 ПРИМЕРЫ использования устройств управления/контроля в некоторых вариантах системы отопления

УСЛОВНЫЕ ОБОЗНАЧЕНИЯ

- CR Дистанционное управление
- SE Датчик внешней температуры
- TA Комнатный термостат
- TZ1÷TZ3 Зонный термостат окружающей среды
- EVZ1÷EVZ3 Электромагнитный клапан зоны
- KA1÷KA3 Зонное реле
- PI1÷PI3 Насос системы отопления
- SP Гидравлический разделитель

ОДНОЗОННАЯ система отопления с датчиком наружной температуры и комнатным термостатом.

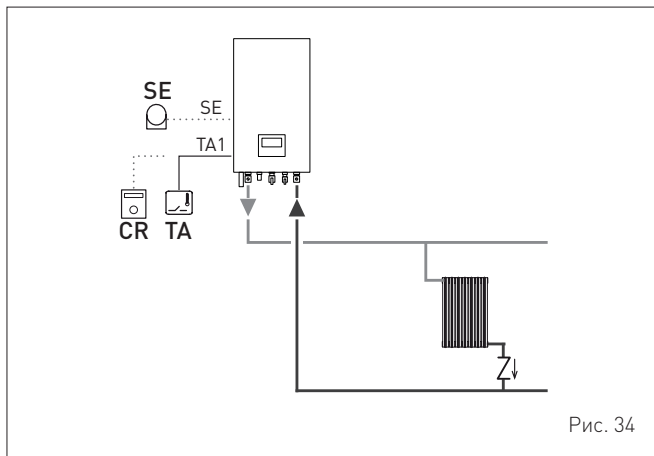


Рис. 34

МНОГОЗОННАЯ система отопления с зонными клапанами, комнатными термостатами и датчиком наружной температуры.

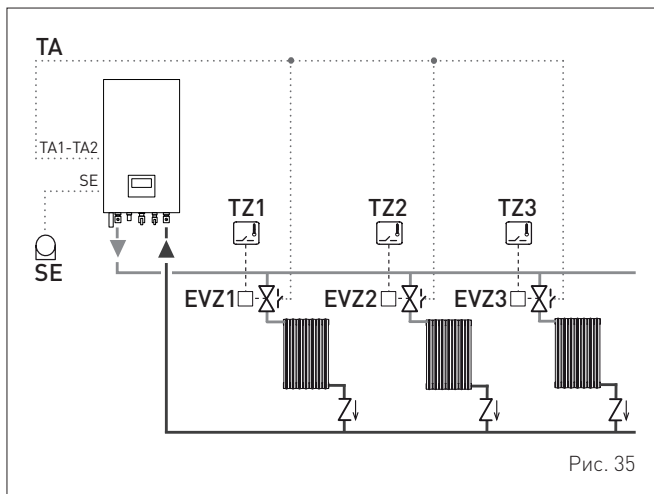


Рис. 35

МНОГОЗОННАЯ система отопления с насосами, комнатными термостатами и датчиком наружной температуры.

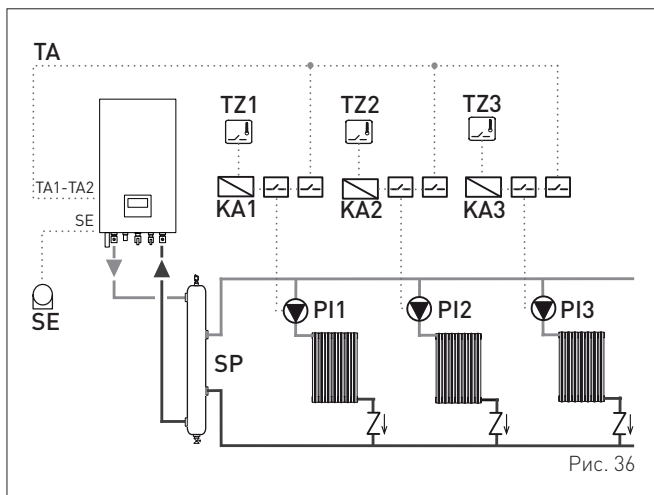
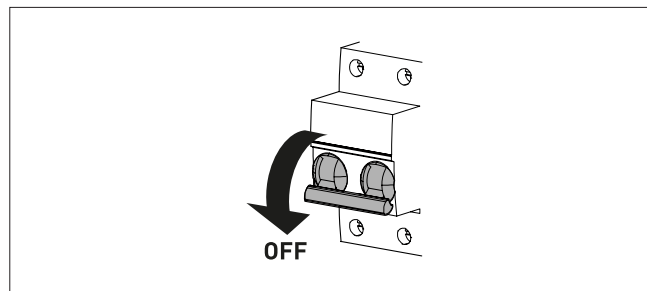


Рис. 36

ПРИМЕЧАНИЕ: Настройка отопления для первой зоны осуществляется через дистанционное управление, в то время как для других зон с панели котла. В случае одновременного запроса тепла, котел активируется на высокой заданной температуре.

6.14 Наполнение и опорожнение

Перед выполнением описанных далее операций, следует убедиться, что главный выключатель установки переведен в положение "OFF" (выключен).



6.14.1 Процедура НАПОЛНЕНИЯ

Демонтаж передней панели:

- отверните два винта (1), потяните вперед и подтолкните вверх переднюю панель (2).

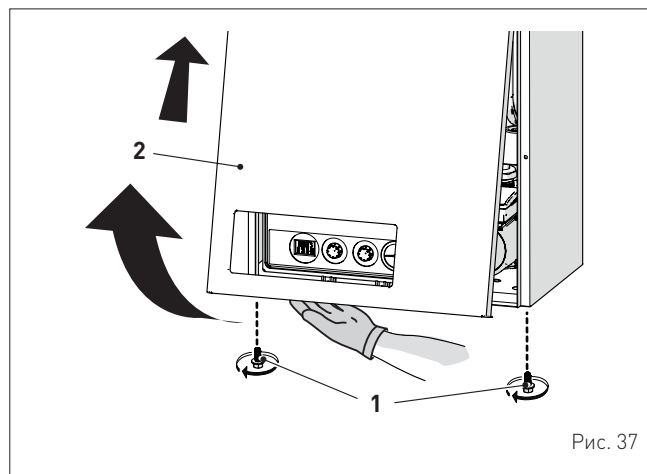


Рис. 37

Контур ГВС:

- откройте отсечной кран контура ГВС (если он установлен)
- откройте один или несколько кранов горячей воды, чтобы наполнить контур ГВС и выпустить из него воздух
- выпустив весь воздух из системы, закройте краны горячей воды.

Контур отопления:

- откройте отсечные и воздушные клапаны, расположенные в самых высоких точках системы
- ослабьте пробку автоматического воздушного клапана (3)
- откройте отсечной кран контура отопления (если он установлен)
- откройте кран для наполнения (4) и наполняйте систему отопления до тех пор, пока давление на манометре (5) не достигнет значения **1-1,2 бар**
- закройте кран для наполнения (4)
- убедитесь, что в системе не осталось воздуха, открыв все батареи и контур в нескольких высоких точках установки
- снимите переднюю заглушку (6) насоса и проверьте отверткой, не заблокирован ли ротор
- установите заглушку (6) на место

6.14.2 Процедура ОПОРОЖНЕНИЯ

Контур ГВС:

- закройте отсечной кран контура ГВС (установленный при монтаже)
- откройте один или несколько кранов горячей воды, чтобы слить воду из контура ГВС.

Котел:

- ослабьте пробку автоматического воздушного клапана (3)
- закройте отсечные краны контура отопления (установленные при монтаже)
- проверьте, чтобы кран наполнения (4) был закрыт
- подсоедините к сливному крану котла (7) резиновый шланг и откройте кран
- по завершении слива закройте сливной кран (7)
- закройте пробку автоматического воздушного клапана (3).

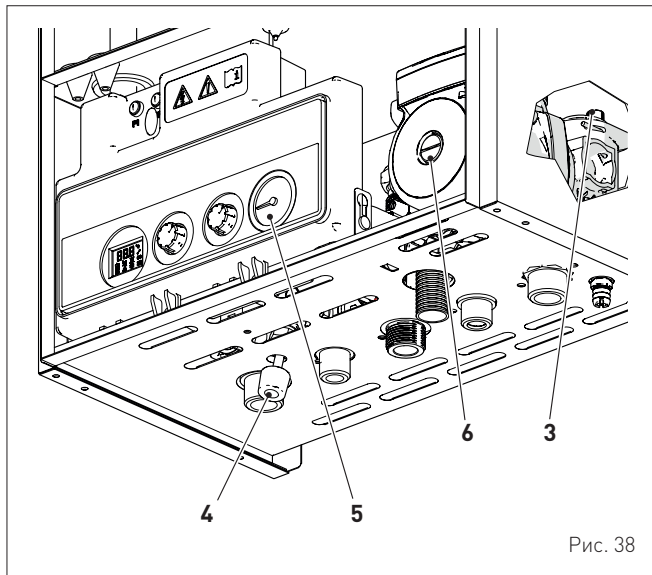


Рис. 38

ПРИМЕЧАНИЕ: для окончательного выпуска воздуха из системы вышеописанную процедуру рекомендуется повторить несколько раз.

- проверьте давление по манометру (5) и в случае необходимости доливайте воду до тех пор, пока оно не достигнет требуемого значения
- закройте пробку автоматического воздушного клапана (3).

Установите на место переднюю панель котла: зацепите ее сверху, потяните вниз и зафиксируйте, завернув снятые перед демонтажем винты (1).

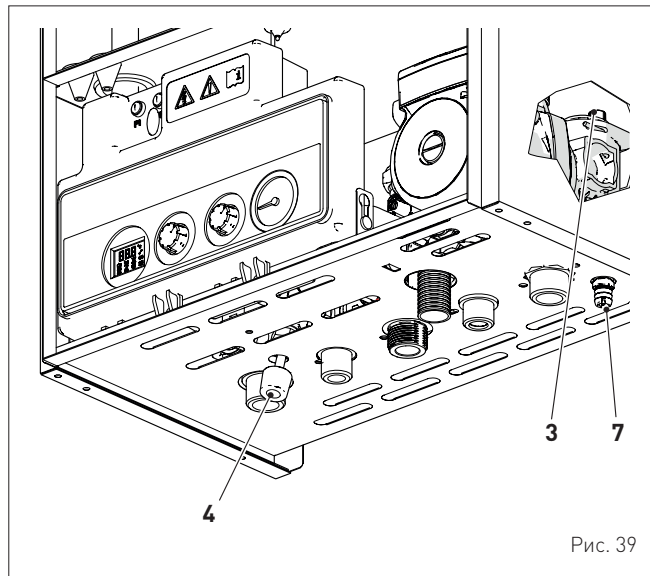


Рис. 39

7 ЗАПУСК КОТЛА

7.1 Предварительные работы



ВНИМАНИЕ

- При возникновении необходимости в доступе к зонам, расположенным в нижней части прибора, следует убедиться, что температура компонентов или труб системы не является высокой (опасность ожогов).
- Перед началом работ по доливке системы отопления надеть защитные перчатки.

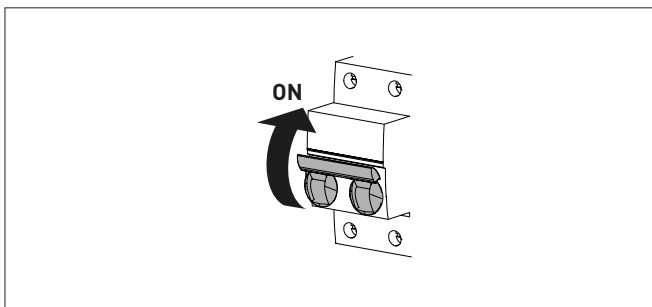
Перед тем как в первый раз запустить котел, убедитесь, что:

- котел совместим с подаваемым типом газа
- отсечные газовые краны, краны системы отопления и ГВС открыты
- давление охлажденной системы по манометру находится в диапазоне **1 - 1,2 бар**
- ротор насоса свободно вращается.

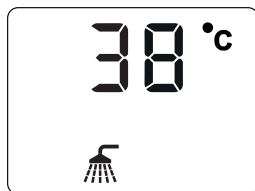
7.2 Первый запуск котла

По завершении подготовительных работ запустите котел:

- установите главный выключатель системы в положение "ON" (вкл.)



- дисплей освещается с задней стороны, на дисплее отображается:
 - тип газа, "nG" (метан G20) или "LPG" (сжиженный газ)
 - версия ПО
 - тепловая мощность и соответствующее отображение символов
- затем на дисплее отображается температура нагнетания (например, 18 °C), в режиме отопления, или температура на выходе ГВС (например, 38 °C) в режиме ГВС



- поверните многофункциональную ручку-регулятор системы отопления IIII до выбора символа ☀ ("режим ЛЕТО")
- откройте один или несколько кранов горячей воды. Котел будет работать на максимальной мощности до тех пор, пока краны не будут закрыты. На дисплее отобразится текущее значение температуры ГВС.

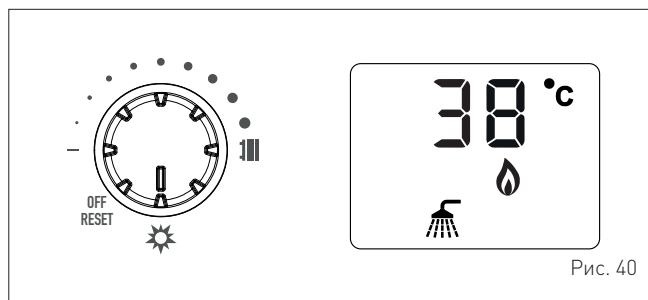


Рис. 40

- при обнаружении неисправностей, на дисплее отобразится надпись "E" и код неисправности (например, "01" - пламя не обнаружено)



ПРЕДУПРЕЖДЕНИЕ!

Если произойдет блокировка, для восстановления условий для запуска поверните многофункциональную ручку отопления IIII на RESET; затем подождите, пока на дисплее появится надпись "RES", и поверните ручку обратно в предыдущее положение. Эту операцию можно произвести максимум 5 раз.

- закройте открытые краны и убедитесь, что котел прекратил работу
- для выбора "режима ЗИМА" поверните многофункциональную ручку отопления IIII до желаемой уставки, таким образом устанавливается температура на нагнетании котла. Возможна регулировка от 20 до 80°C

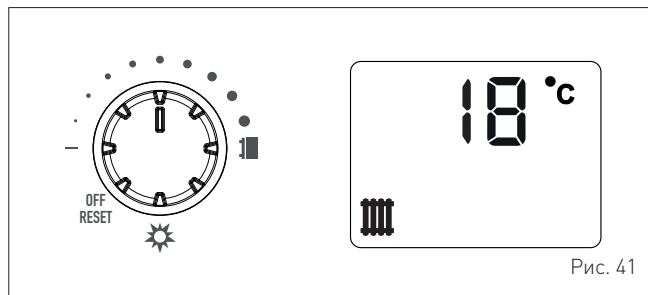


Рис. 41

- с помощью комнатного термостата отдайте команду включить отопление и убедитесь, что котел исправно запускается и работает



ПРЕДУПРЕЖДЕНИЕ!

Чтобы проверить давление в системе и на соплах, выполните процедуру, описанную в параграфе "Функция "Трубочист" и калибровка газового клапана".

7.3 Отображение и настройка параметров



ПРЕДУПРЕЖДЕНИЕ!

Визуализация и настройка параметров может осуществляться ТОЛЬКО авторизованной Службой технического обслуживания или квалифицированным персоналом.

Для входа в меню параметров:

- отверните два винта (1), потяните вперед и подтолкните вверх переднюю панель (2)

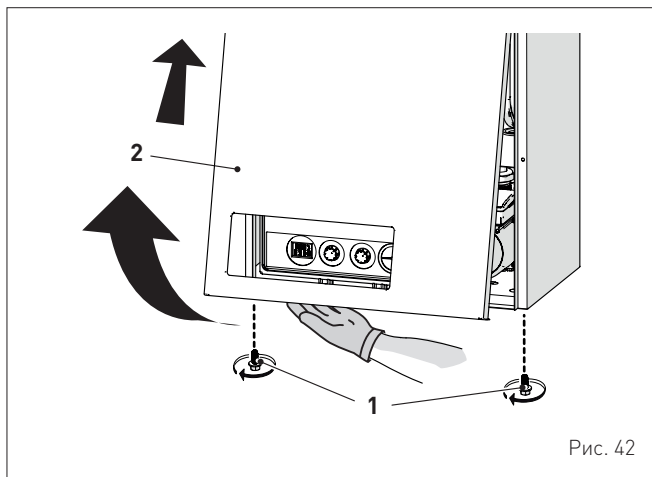


Рис. 42

- позиционируйте ручку IIII на OFF

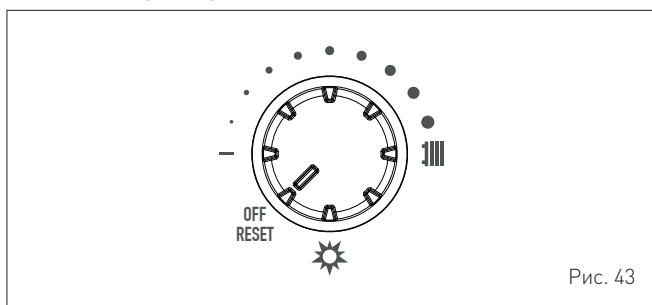
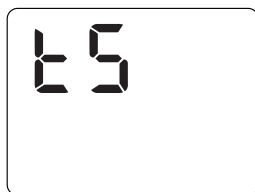
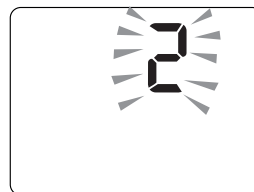


Рис. 43

- одновременно **нажмите** и удерживайте в течение около 5 секунд кнопки **+** и **-**, пока на дисплее не отобразится "t50.1" (указатель 1-го параметра)



- нажмите кнопку **+**, по меньшей мере, на 1 секунду, чтобы пролистать список параметров в сторону увеличения, или кнопку **-**, по меньшей мере, на 1 секунду, чтобы пролистать список параметров в сторону уменьшения
- при достижении желаемого параметра одновременно нажмите кнопки **+** и **-** в течение около 1 секунды, для подтверждения и доступа таким образом к заданному значению, мигающему на дисплее, с возможностью изменения



- измените выбранное значение там, где это возможно, нажимая, по меньшей мере, на 1 секунду кнопку **+** для его увеличения или кнопку **-** для его уменьшения
- при достижении желаемого параметра одновременно нажмите кнопки **+** и **-** в течение около 1 секунды, для подтверждения и возврата к перечню параметров
- продолжайте, изменяя другие имеющиеся параметры.

Завершив изменение значений всех нужных параметров, для выхода из меню параметров, нажмите **одновременно** в течение около 5 с кнопки **+** и **-** до тех пор, пока на дисплее не отобразится начальная страница, или подождите 5 минут для автоматического выхода из меню.



7.4 Список параметров

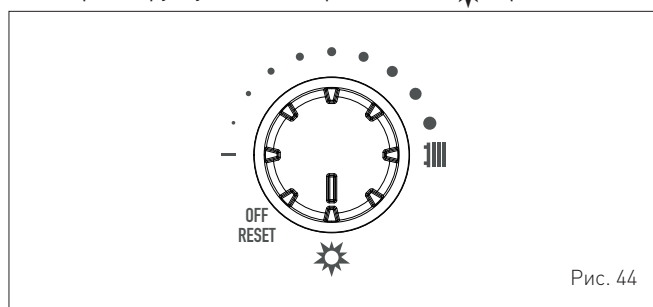
Тип	№	Описание	Диапазон	Ед.изм.	Шаг	Заводские настройки
КОНФИГУРАЦИЯ						
tS	0.1	Гидравлическая система	0 = монотермический	-	-	0
tS	0.2	Тип газа	0 = G20 1 = G30/G31	-	1	0
tS	0.3	Конфигурация ГВС	0 = Реле потока 1 = расходомер	-	1	1
tS	0.4	Выбор климатической кривой (Коэфф. К)	1,0 .. 3,0	-	0,1	2.0
tS	0.5	Функция защиты от частых циклов - Температура повторного включения отопления	0 .. +10	мин	1	3
tS	0.6	Тип уставки водонагревателя (не используется)	1	-	-	1
tS	0.7	Тип котла	1 = герметичный	-	-	1
ГВС - ОТОПЛЕНИЕ						
tS	0.8	Температурный режим (ГВС)	0 = фиксированный при 67 °C 1 = Заданная уставка ГВС	-	1	0
tS	0.9	Мощность розжига	0 .. 40	%	1	40
tS	1.0	Максимальная мощность в режиме отопления	0 .. 100	%	1	77
tS	1.1	Максимальная мощность в режиме горячего водоснабжения	0 .. 100	%	1	100
tS	1.2	Минимальная мощность в режиме отопления	0 .. 100	%	1	0
tS	1.3	Минимальная мощность в режиме ГВС	0 .. 100	%	1	0
tS	1.4	Минимальная установочная температура в режиме отопления	20 .. 40	°C	1	20
tS	1.5	Максимальная установочная температура в режима отопления	40 .. 80	°C	1	80
tS	1.6	Максимальная установочная температура в режиме ГВС	60	°C	1	60
tS	1.8	Модулирование ГВС с расходомером	0 = модулирование с реле потока 1 = модулирование с расходомером	-	1	1

7.5 Визуализация аварийных сигналов/неисправностей

Данная функция позволяет отображать с указателем аварийного сигнала выявленные с течением времени и сохраненные неисправности.

Для активации данной функции:

- поверните ручку III до выбора символа ☀ ("режим ЛЕТО")



- одновременно нажмите и удерживайте в течение около 5 секунд кнопки + и - пока на дисплее не отобразится "0.1" (указатель 1-й ошибки). Ошибки выводятся в порядке от самых последних до самых ранних



- для выхода из Визуализация аварийных сигналов/неисправностей нажмите одновременно в течение около 5 секунд кнопки + и -.

7.6 Проверки и регулировки

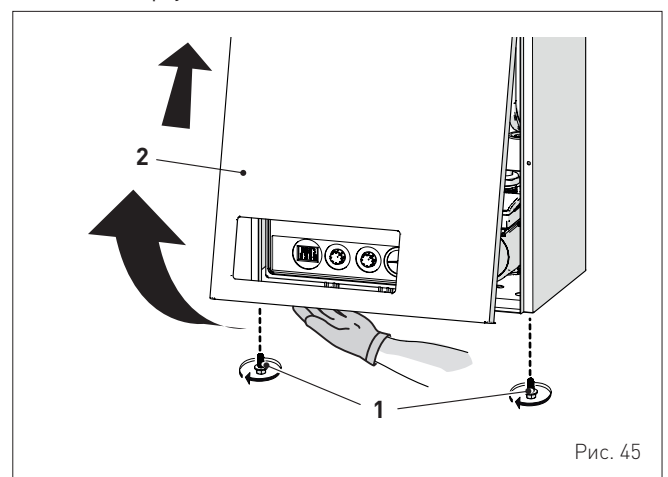
7.6.1 Функция "Трубочист" и калибровка газового клапана

Функция «Трубочист» обеспечивает функционирование котла на максимальной мощности (Hi на дисплее) или минимальной мощности (Lo на дисплее).

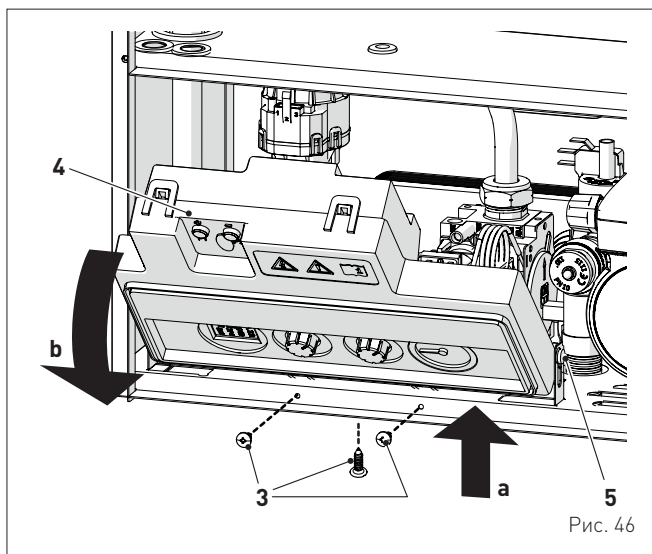
Функция "Трубочист" необходима для квалифицированного специалиста по техническому обслуживанию для проверки давления газа на соплах (передняя панель (2) ДОЛЖНА быть открыта) и определения параметров горения (передняя панель (2) ДОЛЖНА быть закрыта).

Длительность включения функции - 15 минут. Чтобы активировать функцию, выполните следующие действия:

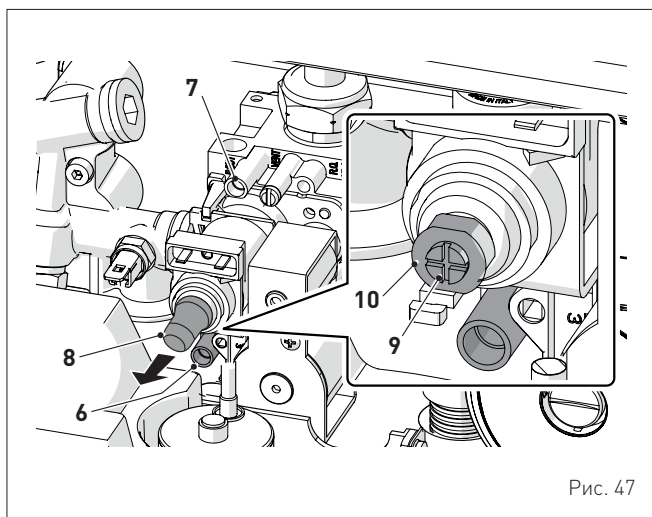
- если передняя панель (2) еще не снята, отверните два винта (1), потяните ее вперед и подтолкните вверх, чтобы отцепить сверху



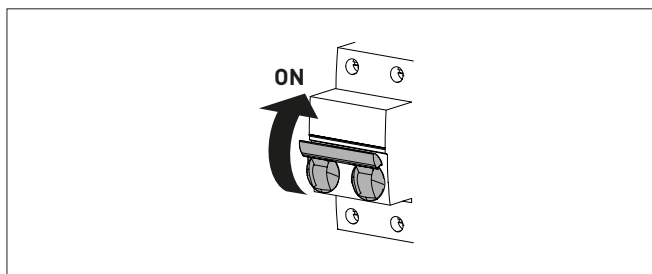
- снимите крепежные винты (3) блока управления (4)
- переместите блок управления (4) вверх по боковым направляющим (а) до ограничителя хода (5)
- поверните его вперед (b) так, чтобы он оказался в горизонтальном положении



- ослабьте винт фитинга для измерения "давления на выходе" (7) и подсоедините к нему манометр. Снимите прозрачный колпачок (8) газового клапана

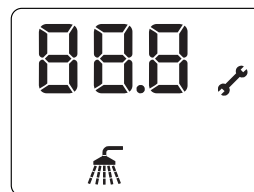


- включите электропитание котла, установив главный выключатель в положение "ON" (вкл.)

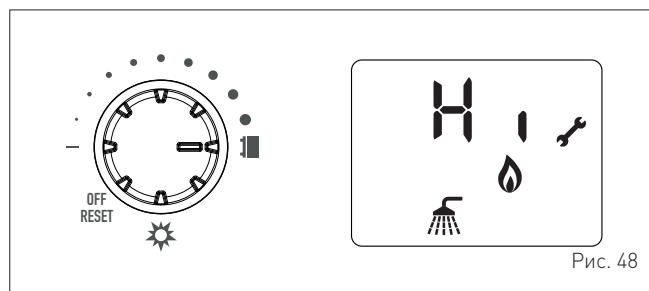


Чтобы включить функцию «трубоочист»:

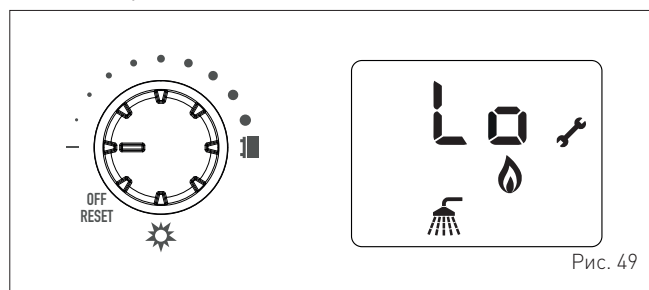
- поверните ручку до выбора символа ("ТРУБОЧИСТ")
- продолжайте поворачивать ручку до минимального значения уставки, а затем до максимального значения уставки. На дисплее отображаются символы и





- откройте один или несколько кранов горячей воды и запустите котел

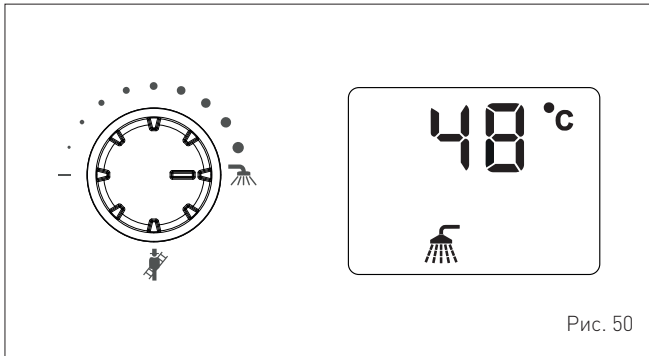


- проверьте по манометру правильность значения давления на выходе, которое должно соответствовать таблице **Технические характеристики** (в соответствии с моделью котла и типом используемого газа); в противном случае с помощью торцевого ключа поворачивайте винт (10) для увеличения или уменьшения давления на соплах; для увеличения давления - по часовой стрелке, для уменьшения давления - против часовой стрелки. По окончании снимите данные горения и измерьте КПД горения
- поверните ручку на минимальное значение уставки, чтобы котел работал на минимальной мощности "Lo"



- проверьте по манометру правильность значения давления на выходе, которое должно соответствовать таблице **Технические характеристики** (в соответствии с моделью котла и типом используемого газа); в противном случае с помощью крестовой отвертки поворачивайте винт (9) для увеличения или уменьшения давления на сопле; для увеличения давления - по часовой стрелке, для уменьшения давления - против часовой стрелки.

- для выхода из «Процедуры Трубочист» сместите, поворачивая против часовой стрелки, ручку  из положения  «ТРУБОЧИСТ» на максимальное значение уставки, или подождите завершения времени (около 15 мин). На дисплее отображается температура воды ГВС



- по окончании операций проверки/калибровки газового клапана закройте ранее открытые краны и убедитесь в выключении прибора
- отсоедините манометр и тщательно закройте фитинг для измерения давления (7)
- закройте газовый кран
- ослабьте винт фитинга для измерения «давления подачи» (6), подсоедините к нему манометр и откройте кран подачи газа
- **откройте один или несколько кранов горячей воды**
- включите на котле функцию «Трубочист» «Hi» и убедитесь, что давление подачи соответствует значению, указанному в таблице «**Давление подачи газа**»; в противном случае отрегулируйте значение давления с помощью редуктора давления на входе линии подачи газа
- по окончании операции проверки давления подачи закройте ранее открытые краны и убедитесь в выключении прибора
- закройте газовый кран
- отсоедините манометр, тщательно закройте фитинг отбора давления (6), верните блок управления в исходное состояние и установите на место переднюю панель (2).



ПРЕДУПРЕЖДЕНИЕ!

Эта процедура ДОЛЖНА ОСУЩЕСТВЛЯТЬСЯ после замены газового клапана в случае его неисправности или для проверки правильности регулировки давления газа на соплах.

Давление подачи газа

Тип газа	G20	G30	G31
Давление (мбар)	20	28-30	37

Системы с ДВУХТРУБНЫМ дымоходом

Модель	Тепловая мощность	Давление на сопла (мбар)		
		G20	G30	G31
GO 18/25-BF	Макс	12,6 ÷ 13,0	27,2 ÷ 27,6	35,4 ÷ 35,8
	мин	0,9 ÷ 1,2	2,2 ÷ 2,5	4,1 ÷ 4,4

Системы с КООКСИАЛЬНЫМ дымоходом

Модель	Тепловая мощность	Давление на сопла (мбар)		
		G20	G30	G31
GO 18/25-BF	Макс	13,1 ÷ 13,5	27,2 ÷ 27,6	35,4 ÷ 35,8
	мин	1,5 ÷ 1,8	3,1 ÷ 3,4	3,4 ÷ 3,7

- Подсоедините анализатор дымовых газов к отверстию для забора проб
- откройте один или несколько кранов горячей воды и запустите котел
- определите параметры горения и замерьте, в случае необходимости, также КПД горения, предусмотренный требованиями действующего законодательства.

После замеров закройте ранее открытые краны и отсоедините анализатор дымовых газов.

7.7 Смена типа питающего газа

В моделях **60 VF** можно перейти с питания метаном G20 (метан) на питание сжиженным газом G30/G31, установив комплект сопел для G30/G31 (сжиженного газа), код 5144716 который необходимо заказать отдельно.

После замены сопел **необходимо установить параметр tS 0.2 = 1.**



ПРЕДУПРЕЖДЕНИЕ!

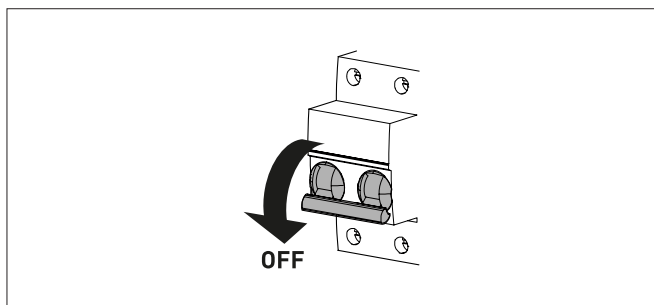
Описанные ниже работы могут быть выполнены ИСКЛЮЧИТЕЛЬНО квалифицированным персоналом.



ВНИМАНИЕ

Перед началом описанных ниже работ:

- установите главный выключатель системы в положение "OFF" (выкл.)
- закройте газовый кран
- Кроме того, внимательно следите за тем, чтобы не прикасаться к горячим деталям внутри аппарата.



Чтобы приспособить котел к другому типу газа:

- отверните два винта (1), потяните вперед и подтолкните вверх переднюю панель (2)

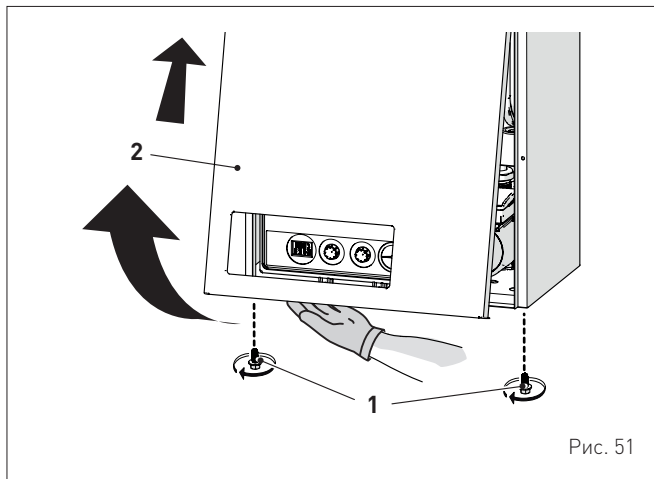


Рис. 51

- снимите крепежные винты (3) блока управления (4)
- переместите блок управления (4) вверх по боковым направляющим (а) до ограничителя хода (5)
- поверните его вперед (b) так, чтобы он оказался в горизонтальном положении

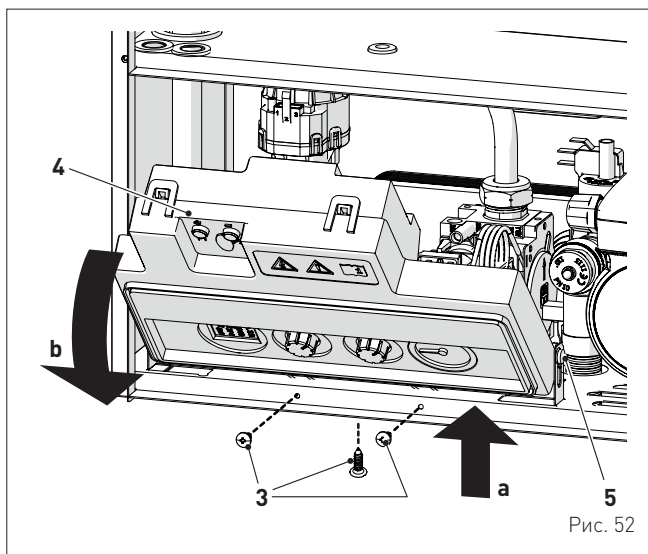


Рис. 52

- открутите четыре винта (6) и снимите переднюю дверцу камеры сгорания (7), действуя аккуратно, чтобы не повредить изоляцию

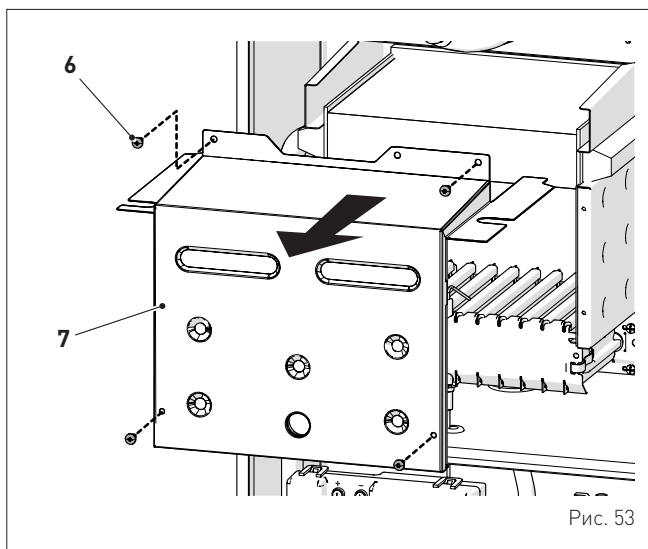


Рис. 53

- открутите четыре винта (8) соединения коллектора сопел с горелкой (9)
- снимите горелку (9), будьте внимательными, чтобы не вытянуть кабель электрода розжига\обнаружения с силиконовой кабельной муфты. Замените сопла на сопла из дополнительного комплекта, установив уплотнительные медные прокладки, предоставляемые в комплекте

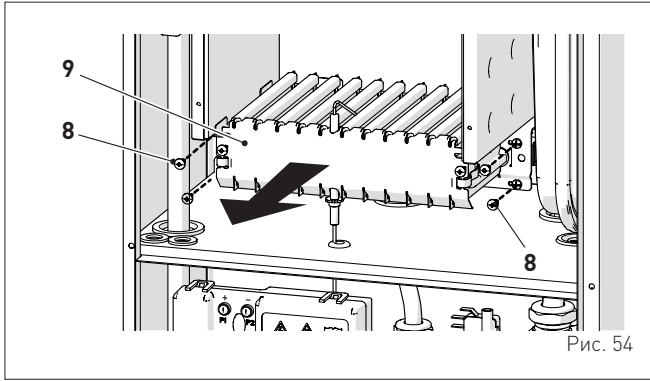


Рис. 54

- установите горелку (9), фиксируя ее четырьмя винтами (8)
- убедитесь, что изоляция передней панели (7) камеры сгорания не повреждена. В противном случае, замените ее
- установите переднюю дверцу камеры сгорания (7), блокируя ее четырьмя винтами (6)



ПРЕДУПРЕЖДЕНИЕ!

- Положение электрода имеет большое значение для соответствующего выявления тока ионизации.
- Измерьте расстояния электродов согласно указаниям, приведенным в параграфе "Проверка электрода розжига / обнаружения пламени".



ПРЕДУПРЕЖДЕНИЕ!

В случае изменения типа подаваемого газа с G20 на G30 или G31, следует отметить специальный квадратик на ПАСПОРТНОЙ ТАБЛИЧКЕ.

G30 - 30 mbar X ←

Или:

G31 - 37 mbar X ←

- котел выходит с завода, отрегулированным на метан (G20), для необходимости его преобразования на сжиженный газ (G30/G31), необходимо установить параметр tS 0.2 = 1, для процедуры смены параметра, см. параграф "Отображение и настройка параметров"
- выполните процедуру "Функция "Трубочист" и калибровка газового клапана" и затем установите на место переднюю панель (2), закрепив ее двумя винтами (1).

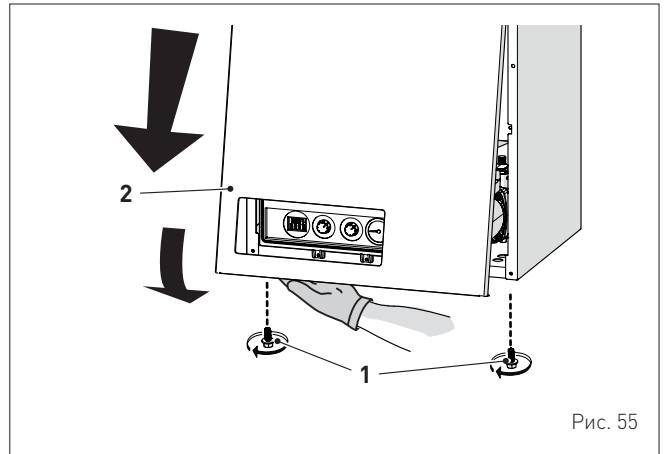


Рис. 55

8 ТЕХНИЧЕСКОЕ ОБСЛУЖИВАНИЕ

8.1 Уход

Для обеспечения эффективной и исправной работы котла рекомендуется заключить договор на **ЕЖЕГОДНОЕ** техническое обслуживание с квалифицированным специалистом.



ПРЕДУПРЕЖДЕНИЕ!

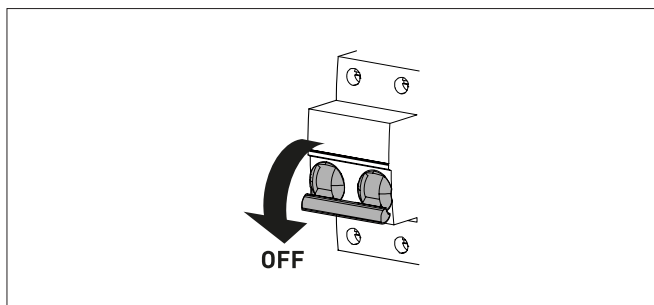
- Описанные ниже работы должны выполняться **ИСКЛЮЧИТЕЛЬНО** квалифицированным персоналом с **ОБЯЗАТЕЛЬНЫМ** использованием надлежащих средств защиты.
- Убедитесь, что температура компонентов или труб системы не является высокой (опасность ожогов).



ВНИМАНИЕ

Перед началом описанных ниже работ:

- установите главный выключатель системы в положение "OFF" (выкл.)
- закройте газовый кран
- Кроме того, внимательно следите за тем, чтобы не прикасаться к горячим деталям внутри аппарата.



8.2 Наружная чистка

8.2.1 Чистка панелей корпуса

Для чистки панелей корпуса используйте смоченную в мыльном растворе ткань. Для устранения стойких пятен можно использовать раствор воды со спиртом.



ЗАПРЕЩЕНО

использовать абразивные вещества.

8.3 Внутренняя чистка

8.3.1 Чистка теплообменника

Чтобы приступить к чистке теплообменника:

- отверните два винта (1), потяните вперед и подтолкните вверх переднюю панель (2)

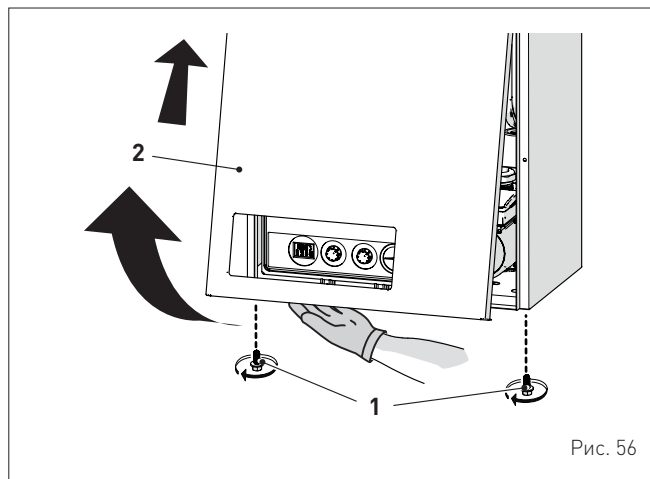


Рис. 56

- открутите четыре винта (3) и снимите переднюю дверцу камеры сгорания (4), действуя аккуратно, чтобы не повредить изоляцию

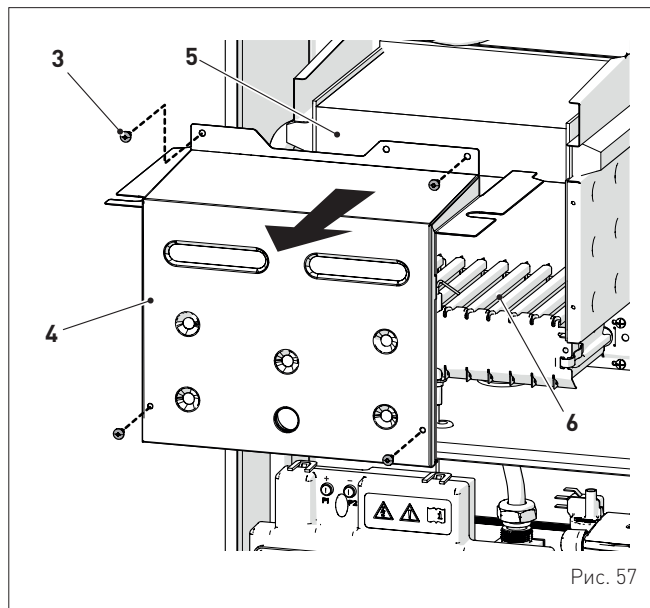


Рис. 57

- при наличии грязевых отложений на пластинах теплообменника (5), накройте все ramпы горелки (6) тканью или газетой и почистите теплообменник (5) кистью из щетины.

8.3.2 Чистка горелки

Горелка не нуждается в специальном техническом обслуживании. Достаточно очистить ее от пыли с помощью кисти из щетины.

8.3.3 Проверка электрода розжига / обнаружения пламени

Проверьте состояние электрода розжига / обнаружения пламени и замените его в случае необходимости. Независимо от того, есть ли необходимость в замене электрода розжига / обнаружения пламени или нет, убедитесь, что указанные на рисунке расстояния соблюдены.

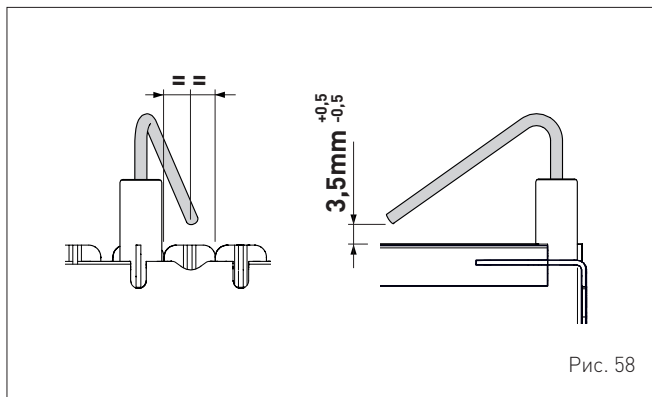


Рис. 58



ПРЕДУПРЕЖДЕНИЕ!

Положение электрода имеет большое значение для исправного обнаружения тока ионизации.

8.3.4 Заключительные работы

Закончив чистку теплообменника и горелки:

- удалите пылесосом остатки сажи
- Проверьте целостность изоляции передней дверцы (4), камеры сгорания. В противном случае замените ее
- установите на место панель, (4) зафиксировав ее соответствующими крепежными винтами.

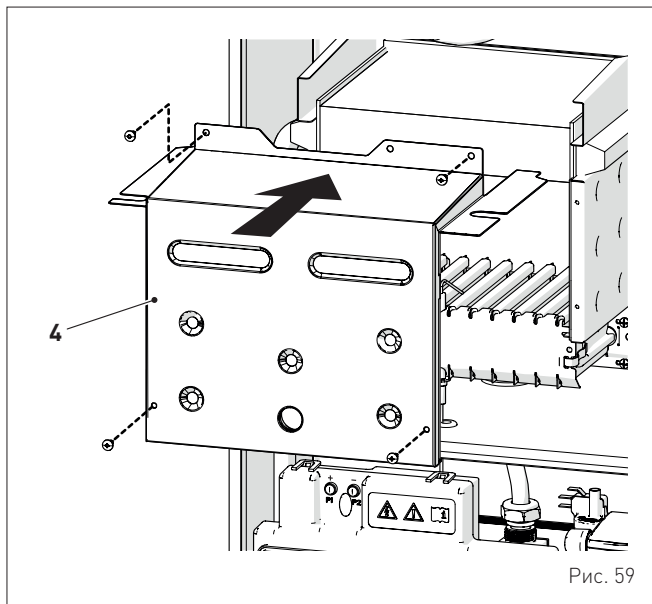


Рис. 59

8.4 Проверки

8.4.1 Проверка трубопроводов системы отвода газовых дымов и забора воздуха горения

Рекомендуется периодически проверять трубопроводы отвода газовых дымов и забора воздуха горения на герметичность и отсутствие повреждений.

8.4.2 Проверка нагнетания давления расширительного бака

Рекомендуется периодически сливать воду из расширительного бака и контролировать предварительное давление, которое не должно опускаться ниже **1 бар**. В противном случае, необходимо увеличить давление до необходимого значения (см. пункт "Расширительный бак").

По завершении описанных выше проверок:

- снова наполните котел, повторив процедуру, описанную в пункте "Процедура НАПОЛНЕНИЯ"
- запустите котел и произведите анализ дымовых газов и/или КПД сгорания
- установите на место переднюю панель, зафиксировав ее двумя снятыми ранее винтами

8.5 Внеочередное техобслуживание

В случае замены:

- сопел при смене типа питающего газа
- электронной платы управления при ее отказе
- газового клапана при его отказе.

Проверьте правильность настройки параметров.

Для входа на страницу "Отображение и настройка параметров" смотрите указания, приведенные в специальном параграфе. По окончании задания значений параметров, указанных в таблице, необходимо полностью выполнить процедуру "Функция "Трубочист" и калибровка газового клапана", описанную в соответствующем параграфе.

8.6 Коды аномалий и возможные меры устранения

СПИСОК ТРЕВОЖНЫХ СИГНАЛОВ О НЕИСПРАВНОСТЯХ/ПОЛОМКАХ

Тип	№	Неисправность	Способ устранения
E	01	Сбой в цепи обнаружения пламени	<ul style="list-style-type: none"> - Проверьте целостность электрода и убедитесь, что он не заземлен - Проверьте наличие и давление газа - Проверьте, не повреждены ли клапан и электронная плата управления
E	02	Срабатывание предохранительного термостата	<ul style="list-style-type: none"> - Проверьте подключения датчика или термостата - Выпустите воздух из системы - Проверьте исправность воздушного клапана - Замените датчик или термостат - Убедитесь, что ротор насоса не заблокирован
E	04	Низкое давление воды в системе	<ul style="list-style-type: none"> - Добавьте воды - Проверьте систему на предмет утечек
E	05	Срабатывание реле давления воздуха	<ul style="list-style-type: none"> - Проверьте реле давления воздуха и вентилятор - Проверьте отсутствие закупориваний силиконовой трубки между вентилятором и реле давления воздуха и соответствующее позиционирование трубки на отверстии забора реле давления P2 - Проверьте соответствующее использование воздушной сегментной диафрагмы - Проверьте отсутствие закупориваний дымоходов для отвода дымовых газов и воздухопроводов для забора воздуха
E	06	Неисправность датчика ГВС	<ul style="list-style-type: none"> - Проверьте подключения - Проверить функционирование датчика
E	07	Неисправность датчика на нагнетании отопления	<ul style="list-style-type: none"> - Проверьте подключения - Проверить функционирование датчика
E	09	Отсутствие циркуляции воды в системе	<ul style="list-style-type: none"> - Проверить вращение ротора насоса - Проверьте электрические подключения - Замените насос
E	11	Аномалия паразитного пламени	<ul style="list-style-type: none"> - Проверьте целостность электрода и убедитесь, что он не заземлен
E	12	Модулятор газового клапана отсоединен	<ul style="list-style-type: none"> - Проверьте электрическое подключение
E	28	Достигнуто максимальное кол-во последовательных блокировок	<ul style="list-style-type: none"> - Подождать 1 час и попытаться разблокировать плату - Обратитесь в сервисный центр

Тип	№	Неисправность	Способ устранения
E	37	Неисправность из-за низкого давления в сети	<ul style="list-style-type: none"> - Проверить напряжение - Обратитесь к поставщику электроэнергии
E	40	Обнаружение неправильной сетевой частоты	<ul style="list-style-type: none"> - Обратитесь к поставщику электроэнергии
E	41	Утеря пламени более 6 раз подряд	<ul style="list-style-type: none"> - Проверить электрод включения/обнаружения пламени - Проверьте, не перекрыт ли газовый кран - Проверьте давление газа в сети
E	42	Неисправность кнопок	<ul style="list-style-type: none"> - Проверьте исправность кнопок
E	43	Неисправность дистанционного управления (Open Therm)	<ul style="list-style-type: none"> - Проверить электрическое соединение ОТ
E	44	Аномалия истечения лимита времени газового клапана без пламени	<ul style="list-style-type: none"> - Проверить газовый клапан и плату
E	72	Не была достигнута ΔT, требуемая на запуске	<ul style="list-style-type: none"> - Проверьте соответствующее позиционирование зонда нагнетания
E	80	Неисправность на линии логики управления газовым клапаном / кабель клапана поврежден	<ul style="list-style-type: none"> - Проверьте газовый клапан, плату, электрод и кабель клапана
E	88	Внутренняя ошибка (защита компонента на схеме)	<ul style="list-style-type: none"> - Проверить функционирование платы - Заменить плату
	888	Избыточная температура	<ul style="list-style-type: none"> - Проверьте зонд нагнетания - Проверьте отвод дымовых газов - Проверьте насос системы
E	98	Ошибка ПО, запуска схемы	<ul style="list-style-type: none"> - Обратитесь в сервисный центр
E	99	Общая ошибка	<ul style="list-style-type: none"> - Обратитесь в сервисный центр
-	-	Частое срабатывание предохранительного клапана	<ul style="list-style-type: none"> - Проверьте давление в контуре - Проверьте состояние расширительного бака
-	-	Недостаточное производство горячей воды для ГВС	<ul style="list-style-type: none"> - Проверьте исправность переключающего клапана - Проверьте, не нуждается ли в чистке пластинчатый теплообменник - Проверьте состояние и исправность крана в контуре ГВС

UPOZORENJA I PRAVILA SIGURNOSTI


UPOZORENJA

- Nakon uklanjanja pakovanja, proverite integritet i potpunost isporuke i, u slučaju da ne odgovara, kontaktirajte agenciju koja je prodala aparat.
- Uređaj se mora koristiti u svrhe koje je predvidelo **Sime** i koje nije odgovorno za štete prouzrokovane osobama, životinjama ili stvarima, greške pri postavljanju, podešavanju, održavanju i nepravilnom korišćenju uređaja.
- U slučaju curenja vode, iskopčajte aparat iz električne mreže, isključite dovod vode i odmah obavestite stručno osoblje.
- Povremeno proverite da li je radni pritisak hidrauličnog postrojenja, kada je hladan, **1-1,2 bar**. U suprotnom izvršite reintegraciju ili kontaktirajte stručno osoblje.
- Ako se uređaj ne koristi duže vreme, sprovedite bar sledeće postupke:
 - *postavite glavni prekidač postrojenja na „OFF-isključeno“;*
 - *zatvoriti slavine za gorivo i vodu vodovodnog sistema.*
- Da bi se obezbedila optimalna efikasnost uređaja **Sime** preporučuje **GODIŠNJU** proveru/održavanje.
- Pošto je priključak za napajanje sistema tipa "Y", kabl za napajanje može zameniti isključivo proizvođač ili ovlašćeni servis.
- Koncentracija CO u produktima sagorevanja mora uvek da bude u skladu sa propisima za instalaciju zemlje u kojoj je instaliran uređaj.


UPOZORENJA

- **Preporučuje se da svi operateri** pažljivo pročitaju ovaj priručnik kako bi mogli koristiti uređaj na racionalan i siguran način.
- **Ovaj priručnik** je sastavni deo uređaja. Stoga se mora pažljivo čuvati za buduće konsultacije i uvek mora pratiti uređaj, čak i ako se prenosi na drugog vlasnika ili korisnika ili se postavlja u drugom postrojenju.
- **Postavljanje i održavanje** uređaja mora obavljati kvalifikovano preduzeće ili stručno osoblje u skladu sa uputstvima datim u ovom priručniku i, na kraju rada, izdati izjavu o usklađenosti sa tehničkim, nacionalnim i lokalnim propisima na snazi u zemlji u kojoj se uređaj koristi.
- **Eventualnu popravku aparata** mora da izvrši isključivo osoblje koje je za to profesionalno kvalifikovano i mora da koristi originalne rezervne delove. Ako se ne pridržavate navedenog, sigurnost aparata može biti ugrožena, a garancija odmah prestaje da važi.
- **Fonderie SIME S.p.A.** zadržava pravo da promeni svoje proizvode u bilo koje vreme i bez najave kako bi ih unapredila bez ugrožavanja njenih suštinskih karakteristika. Sve grafičke ilustracije i/ili fotografije u ovom dokumentu mogu biti predstavljene opcionim dodacima koji variraju u zavisnosti od zemlje u kojoj se oprema koristi.
- **Instalater mora da obavesti korisnika** o radu uređaja i uputstvima za bezbednost. Osim toga, mora da dâ korisniku uputstva za upotrebu i održavanje kada završi instalaciju.

ZABRANE

**ZABRANJENO JE**

- Upotreba uređaja za decu mlađu od 8 godina. Uređaj mogu koristiti deca uzrasta većeg od 8 godina i osobe sa smanjenim fizičkim, čulnim ili mentalnim sposobnostima, ili bez iskustva ili potrebnog znanja, samo ako su pod nadzorom ili nakon što su dobili uputstva koja se odnose na bezbedno korišćenje uređaja i razumevanje opasnosti kojima su izloženi.
- Da se deca igraju sa uređajem.
- Da čišćenje i održavanje koje treba da obavlja korisnik, obavljaju deca bez nadzora.
- Rukovati uređajima ili električnim uređajima kao što su prekidači, kućnim aparatima itd. ako osetite miris goriva ili neizgorelog goriva. U ovom slučaju:
 - *prozračite prostoriju otvarajući vrata i prozore;*
 - *zatvorite uređaj za presretanje goriva;*
 - *pozovite stručno osoblje na brzu intervenciju.*
- Dodirivati uređaj ako ste bos ili vam je neki deo tela mokar.
- Bilo kakve tehničke intervencije ili čišćenje pre isključivanja aparata iz mreže za električno napajanje, pozicioniranjem glavnog prekidača postrojenja na „OFF-isključeno“ i zatvaranje dovoda gasa.
- Modifikovati bezbednosne uređaje ili uređaje za regulisanje bez dozvole i uputstava proizvođača.

**ZABRANJENO JE**

- Modifikovati ili zapušiti odvod za kondenzaciju (ako postoji).
- Vući, iskopčavati, uvtati električne kablove koji izlaze iz uređaja, čak i ako je isključen sa mreže za električno napajanje.
- Izlagati kotao atmosferskim uticajima. Pogodan je za rad na delimično zaštićenom mestu u skladu sa EN 15502, sa maksimalnom temperaturom okoline od 60 °C i minimalnom od - 5 °C. Preporučuje se postavljanje kotla pod krovom, unutar balkona ili u zaklonjenoj niši, ali ipak da nije direktno izložen delovanju vremenskih prilika (kiša, grad, sneg). Kotao je standardno opremljen funkcijom antifriz.
- Zatvaranje ili smanjenje otvora za prozračivanje, ako postoje, prostorije u kojoj se uređaj postavlja.
- Isključivanje električnog napajanja i napajanja gorivom uređaja ako spoljna temperatura može pasti ispod NULE (opasnost od smrzavanja).
- Ostavljanje zapaljive ambalaže i supstanci u prostoriji u kojoj je postavljan uređaj.
- Odlaganje ambalaže u okolinu jer može predstavljati izvor opasnosti. Stoga se mora odlagati u skladu sa zakonima na snazi u zemlji u kojoj se uređaj koristi.
- Modifikovati zaptivene komponente ili obavljati radove na njima.

Poštovani klijentu,
Zahvaljujemo što ste kupili kotao **Sime GO BF**; u pitanju je modulacioni kotao niske temperature, poslednje generacije, s tehničkim karakteristikama i performansama koje su u stanju da zadovolje Vaše potrebe za grejanje i trenutnu proizvodnju tople sanitarne vode, i to u maksimalno sigurnim uslovima i uz ograničene troškove rada.

OPSEG

MODEL	KOD
GO 18/25- BF (G20)	8119628
GO 18/25- BF (G30/G31)	8119629

NAPOMENA: Neki modeli NISU dostupni u nekim zemljama.

USAGLAŠENOST

Naša kompanija izjavljuje da su kotlovi **GO BF** u skladu sa osnovnim zahtevima sledećih direktiva:

- Uredba o gasu (EU) 2016/426
- Direktiva o efikasnosti 92/42/EEC
- Direktiva o niskom naponu 2014/35/EU
- Direktiva o elektromagnetnoj kompatibilnosti 2014/30/EU

STRUKTURA PRIRUČNIKA

Ovaj priručnik je organizovan kao što je prikazano ispod.

UPUTSTVA ZA UPOTREBU.....85

OPIS UREĐAJA91

UPUTSTVA ZA POSTAVLJANJE I ODRŽAVANJE99

SIMBOLI



PAŽNJA

Da bi se naznačile radnje koje, ako se ne izvode pravilno, mogu prouzrokovati nesreće generičkog porekla ili mogu uzrokovati kvarove ili materijalne štete na uređaju; stoga one zahtevaju posebnu opreznost i adekvatnu pripremu.



OPASNOST OD ELEKTRIČNOG UDARA

Da bi se označili radnje koje, ako se ne izvode pravilno, mogu izazvati nesreće električnog porekla; stoga one zahtevaju posebnu opreznost i adekvatnu pripremu.



ZABRANJENO JE

Da bi se naznačile radnje koje se NE SMEJU vršiti.



UPOZORENJE

Da bi se naznačile posebno korisne i važne informacije.

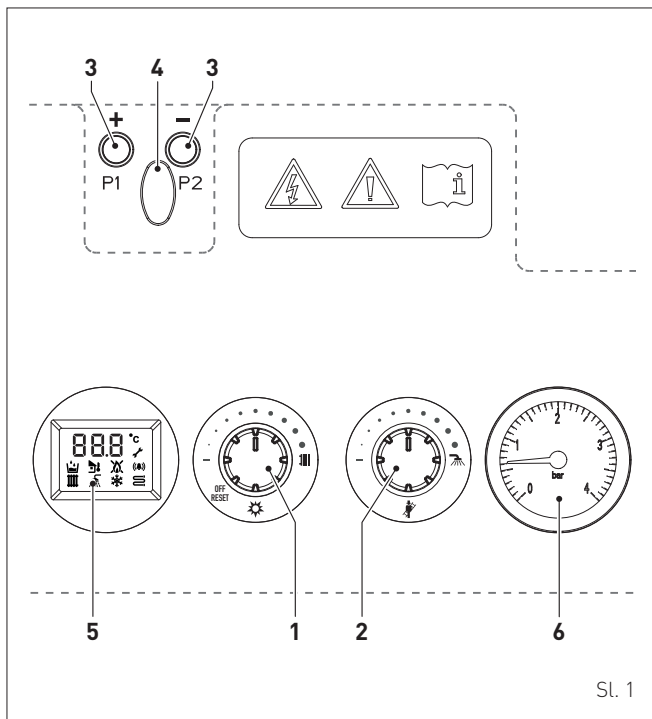
UPUTSTVA ZA UPOTREBU

SADRŽAJ

1	UPRAVLJANJE KOTLOM GO 18/25- BF	86	3	ODRŽAVANJE	89
1.1	Kontrolna tabla	86	3.1	Propisi	89
1.2	Preliminarne provere	87	3.2	Spoljno čišćenje.....	89
1.3	Uključivanje	87	3.2.1	Čišćenje kućišta	89
1.4	Podšavanje temperature protoka	87			
1.5	Podšavanje temperature tople sanitarne vode.....	87	4	ODLAGANJE	89
1.6	Kodovi grešaka / kvarova	88	4.1	Odlaganje uređaja (Evropska direktiva 2012/19/EU) ..	89
2	ISKLUČIVANJE	88			
2.1	Privremeno isključivanje	88			
2.2	Isključivanje na duži vremenski period	89			

1 UPRAVLJANJE KOTLOM GO 18/25- BF

1.1 Kontrolna tabla



1 VIŠENAMENSKO DUGME ZA GREJANJE

Dugme za grejanje tokom normalnog rada omogućava da:

- odaberete „režim rada ZIMA“ (Grejanje i Topla sanitarna voda) i podesite zadatu vrednost.
- odaberete „režim rada LETO“ (samo Topla sanitarna voda).
- OFF** isključite kotao uz isključivanje svih zahteva za grejanje. Međutim, sledeće funkcije ostaju aktivne: antifriz, pumpa protiv zagušenja i 3-smerni ventil.
- RESET** deblokiranje sistema nakon trajnog zaključavanja. Resetovanje se vrši okretanjem tastera na **“OFF/Reset”**; zatim sačekajte dok ne vidite poruku **“RES”** na ekranu i okrenite taster u prethodni položaj.

2 SANITARNO VIŠENAMENSKO DUGME

Sanitarno dugme, tokom normalnog rada, omogućava da:

- se podesi zadata sanitarna vrednost.
- podesi „funkcija čišćenja dimnjaka“.

3 SERVISNI TASTERI

- + -** Tasteri **+** i **-** (servisni tasteri) rezervisani su za stručno osoblje koje će, uz odgovarajuće operacije, opisane u određenim poglavljima, biti u mogućnosti da izvrši procedure za konfiguraciju, kalibraciju i normalizovanje sistema kotao-postrojenje.

4 SERVISNI KONEKTOR

Poklopac programskog konektora.



UPOZORENJE

Tasteri **+**, **-** i konektor NISU dostupni korisniku, već samo stručnom osoblju.

5 DISPLEJ



„ANTIFRIZ“. Simbol se nalazi u režimu rada Antifriz. U slučaju paljenja kotla, simbol ili simbol će takođe biti prisutan, u zavisnosti od vrste antifrizu koji je u toku (sanitarni ili grejanje).



„TOPLA SANITARNA VODA“. Simbol je prisutan tokom ACS zahteva; treperi tokom odabira sanitarne zadate vrednosti.



„GREJANJE“. Simbol je stalno prisutan za vreme grejanja; treperi tokom odabira zadate vrednosti grejanja.



„PRISUSTVO PLAMENA“. Simbol je fiksiran tokom rada gorionika, kada sistem očitava prisutni plamen.



„ZAKLJUČAVANJE“ ZBOG NEDOSTATKA PLAMENA. Simbol je stalno prisutan kada sistem NE očitava plamen.



„ALARM“. To ukazuje da je došlo do greške. Prisustvo drugog simbola određuje uzrok koji ga je generisao (pogledajte paragraf **„Godovi grešaka i moguća rešenja“**).



„TEMPERATURA“. Prikazuje vrednost temperature izraženu u stepenima Celzijusa.



„VANJSKA SONDA“. Simbol je prisutan kada kartica prepoznaje da je vanjska sonda povezana. Da biste promenili krivulju spoljašnje sonde, okrenite višenamensko dugme za grejanje .



„PRITISAK VODE“. Simbol je prisutan zajedno sa simbolom i ukazuje na nedostatak pritiska vode u grejnom krugu.



„ČIŠĆENJE DIMNJAKA“. Simbol je prisutan zajedno sa simbolom i ukazuje na potrebu da se aktivira funkcija Čišćenje dimnjaka.



„PREGREJAVANJE“. Simbol treperi kada temperatura sistema dostigne prekomeran i potencijalno opasan nivo.

6 MANOMETAR

1.2 Preliminarne provere

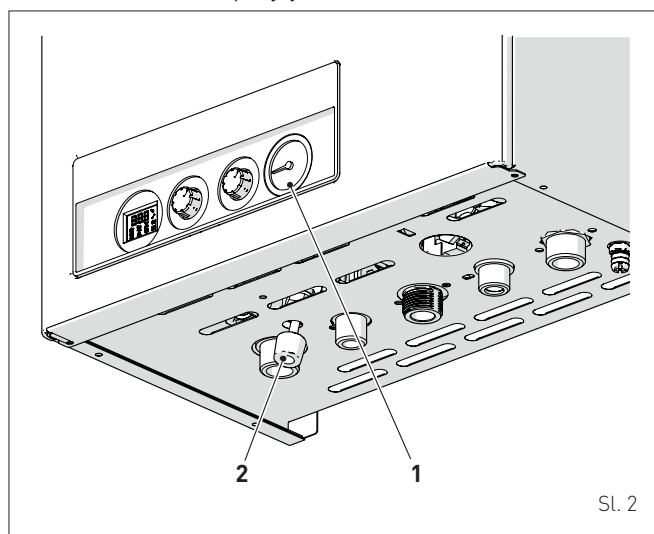


PAŽNJA

- Ako je potrebno pristupiti prostorima u donjem delu aparata, uverite se da temperature komponenti sistema ili cevi nisu visoke (opasnost od opekotina).
- Pre izvođenja operacija reintegracije sistema za grejanje nosite zaštitne rukavice.

Prvo puštanje u rad kotla **GO BF** mora obaviti stručno osoblje, nakon čega kotao Može da radi automatski. Međutim, može biti neophodno da korisnik ponovo pokrene uređaj samostalno, bez tehničara; na primer posle perioda odmora. U tim slučajevima moraju se izvršiti sledeće provere i operacije:

- proverite da li su ventili za zatvaranje goriva i vode otvoreni
- proverite na manometru (1) da li je pritisak sistema za grejanje, kada je hladan, **1-1,2 bar**. U suprotnom, otvorite slavinu za punjenje (2) i ponovo uključite sistem grejanja, dok se pritisak **1-1,2 bar** ne očitava na manometru (1)
- zatvorite slavinu za punjenje (2).

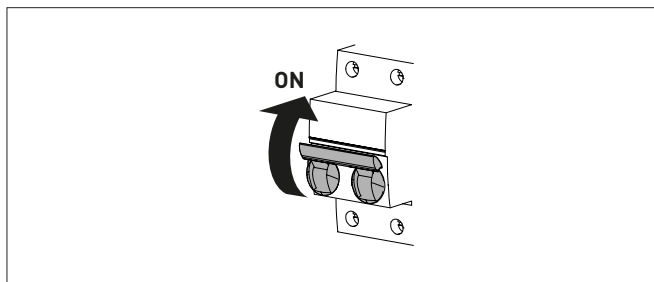


Sl. 2

1.3 Uključivanje

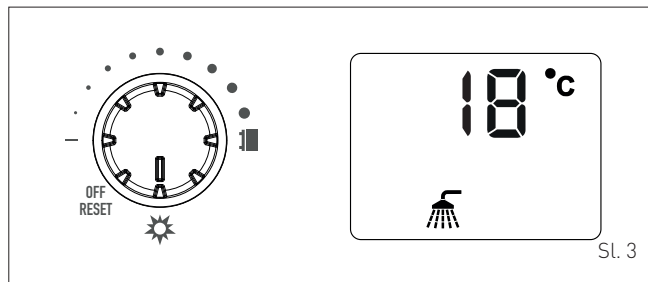
Nakon prethodnih provera, uključite kotao:

- postavite glavni prekidač postrojenja na „ON“ (uključeno)



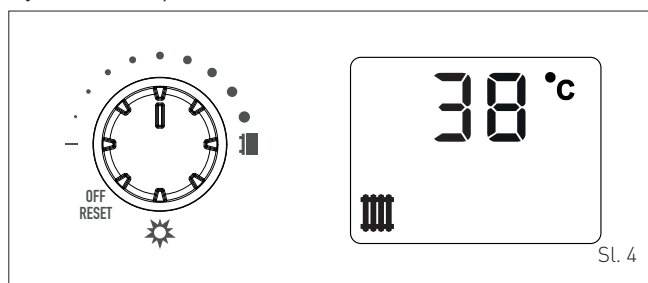
- okrenite višenamensko dugme za grejanje dok ne odaberete simbol („režim rada LETO“)

- otvorite jednu ili više slavina za toplu vodu. Kotao će raditi na maksimalnoj snazi dok se slavina/slavine ne zatvore. Na ekranu će se prikazati vrednost temperature sanitarne vode koja je očitana u tom trenutku.



Sl. 3

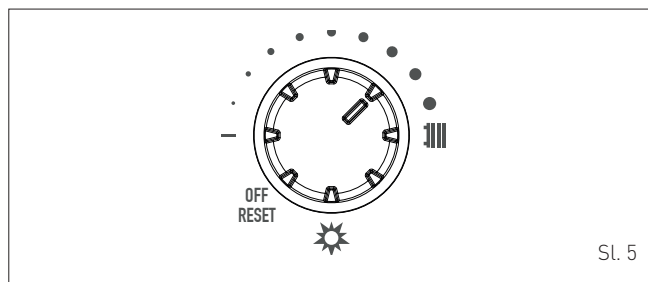
Kada je kotao pušten u rad u „režim rada LETO“ , za prelazak na „režim rada ZIMA“ (grejanje i sanitarna voda) okrenite višenamenskog dugme za grejanje na polovinu opsega podešavanja. Na ekranu će se prikazati vrednost temperature vode za grejanje koja je očitana u tom trenutku. U ovom slučaju potrebno je podesiti sobni termostat(e) na željenu temperaturu ili, ako je sistem opremljen digitalnim termostatom, proveriti da li je „aktivan“ i podešen.



Sl. 4

1.4 Podešavanje temperature protoka

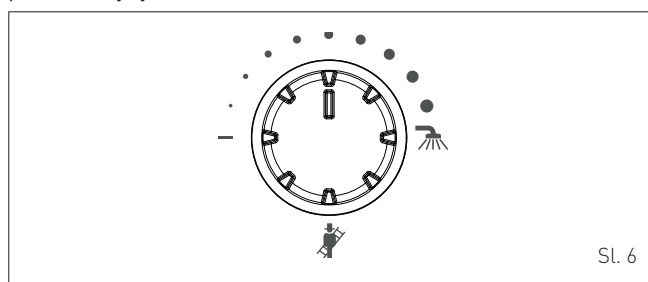
Ako želite da povećate ili smanjite temperaturu protoka kotla, okrenite dugme na željenu zadatu vrednost. Moguće podešavanje je od 20 do 80 °C.



Sl. 5

1.5 Podešavanje temperature tople sanitarne vode

Ako želite da povećate ili smanjite temperaturu tople sanitarne vode, okrenite dugme na željenu zadatu vrednost. Moguće podešavanje je od 37 do 60 °C.



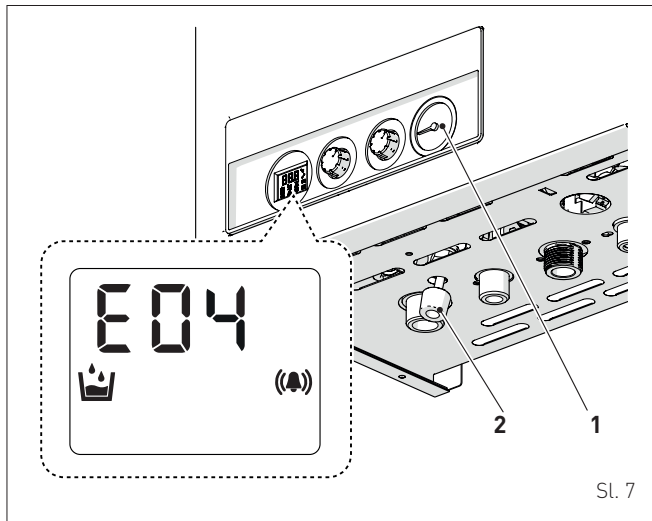
Sl. 6

1.6 Kodovi grešaka / kvarova

Ako dođe do greške/kvara tokom rada kotla, na ekranu će se pojaviti „E“, a zatim kod greške.

U slučaju alarma „**E04**“ (Nizak pritisak vode u postrojenju):

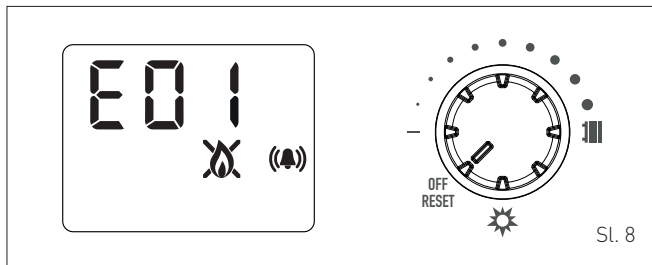
- proverite na manometru (1) da li je pritisak sistema za grejanje, kada je hladan, **1-1,2 bar**. U suprotnom, otvorite slavinu za punjenje (2) i ponovo uključite sistem grejanja, dok se pritisak **1-1,2 bar** ne očitava na manometru (1)
- zatvorite slavinu za punjenje (2)
- okrenite dugme dok ne dođe do **OFF / RESET**, a zatim ponovo na željenu vrednost. Na ovaj način se resetuju normalni uslovi rada.



Sl. 7

U slučaju alarma „**E01**“ (Nedostatak očitavanja plamena):

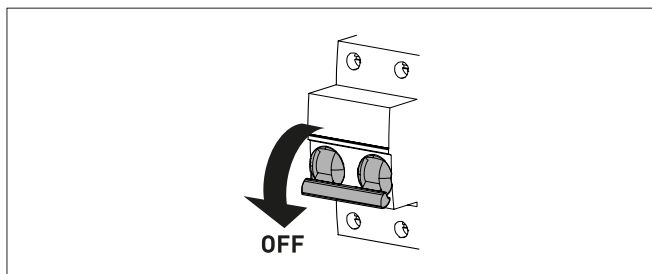
- okrenite dugme dok ne dođe do **OFF / RESET**, a zatim ponovo na željenu vrednost. Na ovaj način se resetuju normalni uslovi rada.



Sl. 8

U slučaju neuspeha napravite **SAMO JOŠ JEDAN POKUŠAJ RESETOVANJA**, a zatim:

- zatvorite slavinu za prekidanje plina
- postavite glavni prekidač postrojenja na „OFF“ (isključeno)
- pozovite Stručno osoblje.



UPOZORENJE

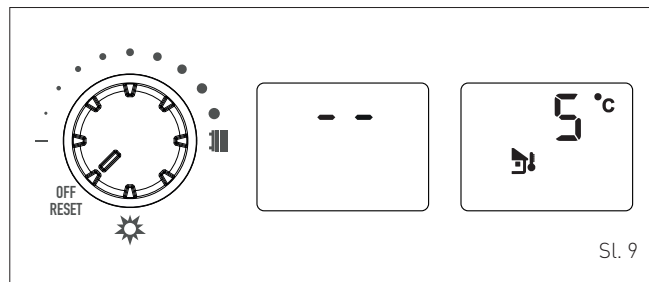
U slučaju pojavljivanja alarma koji nije opisan pozovite stručno osoblje

2 ISKLJUČIVANJE

2.1 Privremeno isključivanje

Ako se kotao ne koristi duže vreme, sprovedite sledeće postupke:

- postavite dugme na **OFF / RESET**. Na ekranu će se prikazati „ - - “. U slučaju da je povezana spoljna sonda, na ekranu će se prikazati ikona i očitana vrednost spoljne temperature.



Sl. 9

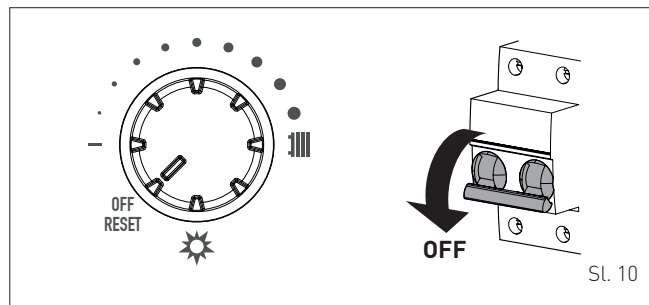


OPASNOST OD ELEKTRIČNOG UDARA

Kotao se i dalje napaja.

U slučaju privremenih izostanaka (vikendom, kratkim putovanjima, itd.) i sa spoljnim temperaturama iznad NULE:

- postavite dugme na **OFF / RESET**
- postavite glavni prekidač postrojenja na „OFF“ (isključeno)
- zatvorite slavinu za plin.



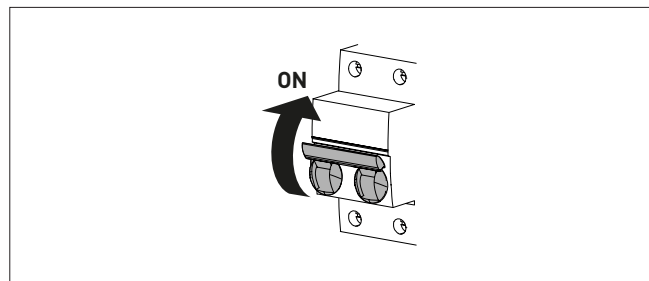
Sl. 10



UPOZORENJE



Ako spoljna temperatura može pasti ispod NULE, zato što je aparat zaštićen „funkcijom antifriz“:

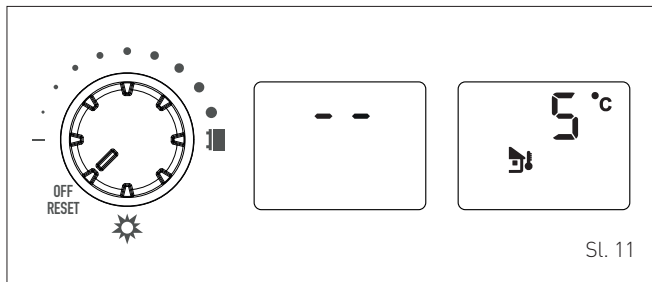
- postavite dugme na **OFF / RESET**
- postavite glavni prekidač postrojenja na „ON“ (kotao se napaja strujom)
- ostavite slavinu za plin otvorenu.



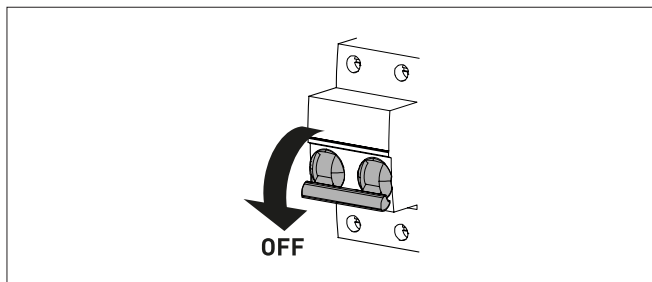
2.2 Isključivanje na duži vremenski period

Ako se kotao ne koristi duže vreme, sprovedite sledeće postupke:

- postavite dugme  na OFF / RESET. Na ekranu će se prikazati „- -“. U slučaju da je povezana spoljna sonda, na ekranu će se prikazati ikona  i očitana vrednost spoljne temperature.



- postavite glavni prekidač postrojenja na „OFF“ (isključeno)



- zatvorite slavinu za plin
- zatvorite slavine za prekidanje dovoda termičkog i sanitarnog postrojenja
- **ispraznite termičko i sanitarno postrojenje ako postoji opasnost od smrzavanja.**



UPOZORENJE

Pozvati Stručno osoblje ako se iznad opisana procedura ne može lako sprovesti.

3 ODRŽAVANJE

3.1 Propisi

Za efikasan i redovan rad uređaja preporučuje se da korisnik zaduži kvalifikovanog tehničara koji će, uz **GODIŠNJU** periodičnost, obezbediti njegovo održavanje.



UPOZORENJE

Operacije održavanja mora obaljati SAMO stručno osoblje u skladu sa uputstvima iz PRIRUČNIKA ZA POSTAVLJANJE I ODRŽAVANJE.

3.2 Spoljno čišćenje



PAŽNJA

- Ako je potrebno pristupiti prostorima u donjem delu aparata, uverite se da temperature komponenti sistema ili cevi nisu visoke (opasnost od opekotina).
- Pre izvođenja operacija čišćenja navucite zaštitne rukavice.

3.2.1 Čišćenje kućišta

Da biste očistili kućište, koristite krpu navlaženu vodom i sapunom ili vodom i alkoholom u slučaju tvrdokornih mrlja.



ZABRANJENO JE

koristite abrazivne proizvode.

4 ODLAGANJE

4.1 Odlaganje uređaja (Evropska direktiva 2012/19/EU)



Aparat i električni i elektronski uređaji, koji su korišćeni u domaćinstvu ili koji se mogu klasifikovati kao otpad poreklom iz domaćinstava, na kraju radnog veka treba predati, u skladu sa zakonom i prema Direktivi 2012/19/EU, u specijalizovane centre za preuzimanje i skupljanje ove vrste otpada. Ovaj proizvod je projektovan i realizovan da se svede na minimum njegov uticaj na životnu sredinu i zdravlje; uprkos tome, isti sadrži komponente koji mogu biti štetni ukoliko se njima upravlja na neodgovarajući način. Oznaka (precrтана kanta), koja je ovde prikazana i koja se nalazi i na Vašem aparatu, znači da aparatom, na kraju radnog veka, treba upravljati u skladu sa zakonom i treba predati u centre za skupljanje otpadnih električnih i elektronskih aparata. Pre nego što predate aparat, konsultujte propise koji su na snazi u Zemlji korišćenja aparata i informišite se o ovlašćenim centrima za skupljanje otpada, tako što ćete kontaktirati specijalizirane kancelarije u mestu u kojem je instaliran aparat.



ZABRANJENO JE

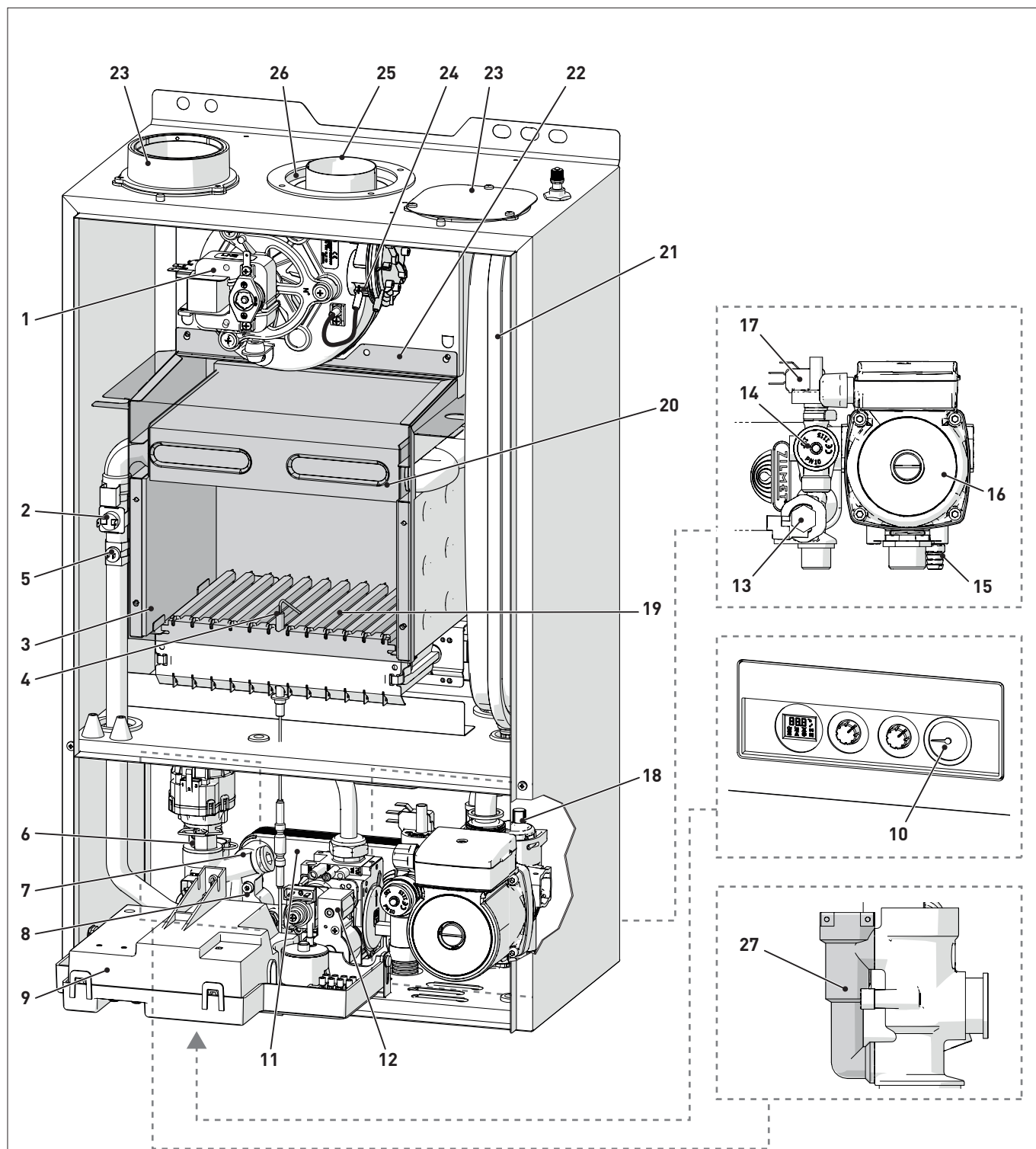
odložite proizvod zajedno sa gradskim otpadom.

OPIS UREĐAJA

SADRŽAJ

5	OPIS UREĐAJA	92			
5.1	Karakteristike	92	5.7	Princip hidrauličnog kruga	95
5.2	Kontrolni i bezbednosni uređaji	92	5.8	Sonde	95
5.3	Oznake na uređaju	92	5.9	Ekspanziona posuda	95
5.4	Identifikacija	92	5.10	Cirkulaciona pumpa	96
5.5	Struktura	93	5.11	Kontrolna tabla	96
5.6	Tehničke karakteristike	94	5.12	Električna shema	97

5.5 Struktura



- | | | |
|----------------------------------------|--------------------------------------|----------------------------------------|
| 1 Ventilator | 11 Sekundarni izmenjivač | 21 Ekspanziona posuda |
| 2 Termostat sa termičkom zaštitom | 12 Ventil za gas | 22 Prednja ploča komore za sagoravanje |
| 3 Komora za sagorevanje | 13 Merač protoka | 23 Odvod vazduha (odvojeni kanali) |
| 4 Elektroda za uključivanje/očitavanje | 14 Bezbednosni ventil postrojenja | 24 Prekidač pritiska vazduha |
| 5 Sonda protoka za grejanje | 15 Odvod kotla | 25 Odvod dima |
| 6 Razvodni ventil | 16 Puma postrojenja | 26 Odvod vazduha (koncentrični kanali) |
| 7 Grupa postrojenja za utovar | 17 Prekidač pritiska vode | 27 By-pass (Zaobilaznik) |
| 8 Sanitarna sonda | 18 Automatski ventil za odzračivanje | |
| 9 Kontrolna tabla | 19 Gorionik | |
| 10 Manometar | 20 Primarni izmenjivač | |

5.6 Tehničke karakteristike

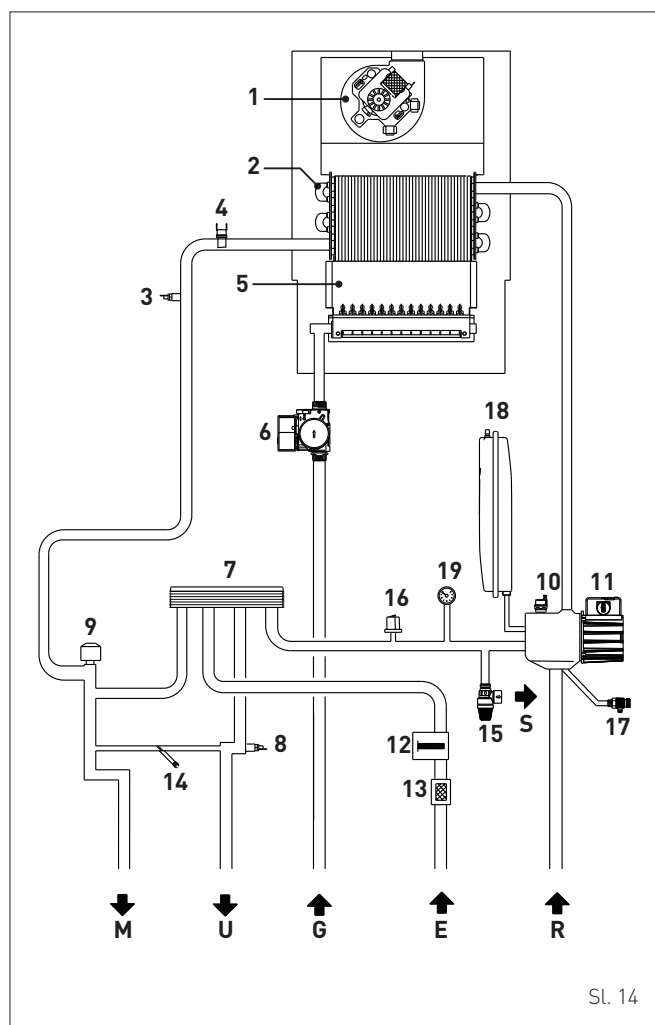
OPIS		GO 18/25- BF
SERTIFIKAT		
Zemlje odredišta		AZ - RU - SR
Gorivo		G20; G30/G31
PIN broj		1010M
Kategorija		I12H3+
Vrsta		B22P - B52P - C12 - C12X - C32 - C32X - C42 - C42X - C52 - C52X - C62 - C62X - C82 - C82X - C92 - C92X
Klasa BR.x		4 [$< 100 \text{ mg/kWh}$]
Sanitarna nominalna korisna snaga	kW	23,5
PERFORMANSE GREJANJA		
TERMIČKI PROTOK		
Nominalni protok	kW	20,5
Minimalni protok (G20)	kW	9,2
Minimalni protok (G30/G31)	kW	9,2
TERMIČKA SNAGA		
Nominalna korisna snaga (80-60 °C)	kW	18,5
Minimalna korisna snaga (80-60 °C) (G20)	kW	7,6
Minimalna korisna snaga (80-60 °C) (G30/G31)	kW	7,6
EFIKASNOST		
Maksimalna korisna efikasnost (80-60 °C)	%	90,4
Minimalna korisna efikasnost (80-60 °C)	%	83,1
Korisna efikasnost pri 30% opterećenja (50-37 °C)	%	86,1
Energetska efikasnost (EEZ 92/42)		★★★
Gubici pri zaustavljanju na 50 °C	W	74
SANITARNE PERFORMANSE		
Nominalni termički protok	kW	25,5
Minimalni termički protok (G20)	kW	9,2
Minimalni termički protok (G30/G31)	kW	9,2
Protok p.t.v. određen za $\Delta T 30 \text{ °C}$ (EN 13203)	l/min	10,6
Kontinuirani p.t.v. protok ($\Delta T 25 \text{ °C} / \Delta T 35 \text{ °C}$)	l/min	13,1 / 9,3
Minimalni p.t.v. protok	l/min	2,2
Maks / Min pritisak	bar	7 / 0,4
	kPa	700 / 40
ELEKTRIČNI PODACI		
Napon napajanja	V	230
Frekvencija	Hz	50
Električna apsorbirana snaga	W	112
Stepen električne zaštite	IP	X5D
PODACI O SAGOREVANJU		
Temperatura dimnih gasova pri maks./min. protoku (80-60°C) s odvojenim dimnjacima (*)	°C	143,5 / 109,7
Temperatura dimnih gasova pri maks./min. protoku (80-60°C) s koncentričnim dimnjacima (**)	°C	108,4 / 84,7
Maseni protok dima Maks/Min	g/s	16,9 / 17,2
	kg/h	60,84 / 61,92
CO ₂ sa Maks/Min protokom (G20) sa odvojenim dimnjacima (*)	%	5,9 / 1,9
CO ₂ sa Maks/Min protokom (G30/G31) sa odvojenim dimnjacima (*)	%	7,1 / 2,2
CO ₂ sa Maks/Min protokom (G20) sa koncentričnim dimnjacima (**)	%	6,3 / 2,0
CO ₂ sa Maks/Min protokom (G30/G31) sa koncentričnim dimnjacima (**)	%	7,3 / 2,3
Izmereni Nox	mg/kWh	78
MLAZNICE - GAS		
Količina mlaznica	br.	11
Promer mlaznica (G20)	mm	1,3
Promer mlaznica (G30/G31)	mm	0,8
Potrošnja gasa pri Maks/Min protoku (G20)	m ³ /h	2,70 / 0,97
Potrošnja gasa pri Maks/Min protoku (G30)	kg/h	2,01 / 0,72
Potrošnja gasa pri Maks/Min protoku (G31)	kg/h	1,98 / 0,71
Pritisak napajanja gasa (G20)	mbar	20
	kPa	2
Pritisak napajanja gasa (G30/G31)	mbar	29 / 37
	kPa	2,9 / 3,7
TEMPERATURA - PRITISAK		
Maks temperatura rada	°C	85
Opseg podešavanja grejanja	°C	20 ÷ 80
Opseg sanitarnog podešavanja	°C	37 ÷ 60
Maks pritisak rada	bar	3
	kPa	300
Sadržaj vode u kotlu	l	3,05

(*) Sa minimalnom dužinom dimnjaka

(**) Sa maksimalnom dužinom dimnjaka

Niža kalorična vrednost (Hi):
G20 Hi. 9,45 kW/m³ [15 °C, 1013 mbar] - **G30 Hi.** 12,68 kW/kg [15 °C, 1013 mbar] - **G31 Hi.** 12,87 kW/kg [15 °C, 1013 mbar]

5.7 Princip hidrauličnog kruga



LEGENDA:

- M Protok postrojenja
 R Povratak postrojenja
 U Izlaz sanitarne vode
 E Ulaz sanitarne vode
 SVI Ispust sigurnosnog ventila sistema
 G Dovod gasa

- 1 Ventilator
- 2 Izmenjivač (mono-termički)
- 3 Bezbednosni termostat
- 4 Sonda za protok
- 5 Komora za sagorevanje
- 6 Ventil za gas
- 7 Izmenjivač sanitarne vode
- 8 Sanitarna sonda
- 9 Razvodni ventil
- 10 Automatski ventil za odzračivanje
- 11 Pumpa
- 12 Merač sanitarnog protoka
- 13 Filter sanitarne vode
- 14 Punjenje postrojenja
- 15 Bezbednosni ventil postrojenja
- 16 Prekidač pritiska vode
- 17 Odvod kotla
- 18 Ekspanziona posuda postrojenja
- 19 Manometar vode

5.8 Sonde

Postavljenje sonde imaju sledeće karakteristike:

- sonda protoka za grejanje NTC R25°C; 10kΩ β25°-85°C: 3435
- sanitarna sonda NTC R25°C; 10kΩ β25°-85°C: 3435
- vanjska sonda NTC R25°C; 10kΩ β25°-85°C: 3435

Odgovarajuća očitana temperatura/otpor

Primeri očitavanja:

$$TR=75^{\circ}\text{C} \rightarrow R=1925\Omega$$

$$TR=80^{\circ}\text{C} \rightarrow R=1669\Omega.$$

TR	0°C	1°C	2°C	3°C	4°C	5°C	6°C	7°C	8°C	9°C	Otpor R (Ω)
0°C	27279	26135	25044	24004	23014	22069	21168	20309	19489	18706	
10°C	17959	17245	16563	15912	15289	14694	14126	13582	13062	12565	
20°C	12090	11634	11199	10781	10382	9999	9633	9281	8945	8622	
30°C	8313	8016	7731	7458	7196	6944	6702	6470	6247	6033	
40°C	5828	5630	5440	5258	5082	4913	4751	4595	4444	4300	
50°C	4161	4026	3897	3773	3653	3538	3426	3319	3216	3116	
60°C	3021	2928	2839	2753	2669	2589	2512	2437	2365	2296	
70°C	2229	2164	2101	2040	1982	1925	1870	1817	1766	1717	
80°C	1669	1622	1577	1534	1491	1451	1411	1373	1336	1300	
90°C	1266	1232	1199	1168	1137	1108	1079	1051	1024	998	
100°C	973										

5.9 Ekspanziona posuda

Ekspanziona posuda instalirana na kotlovima ima sledeće karakteristike:

[*] Uslovi:

Srednja temperatura u režimu 70°C (sa visokotemperaturnim sistemom 80/60°C)

Početna temperatura pri punjenju sistema 10°C.

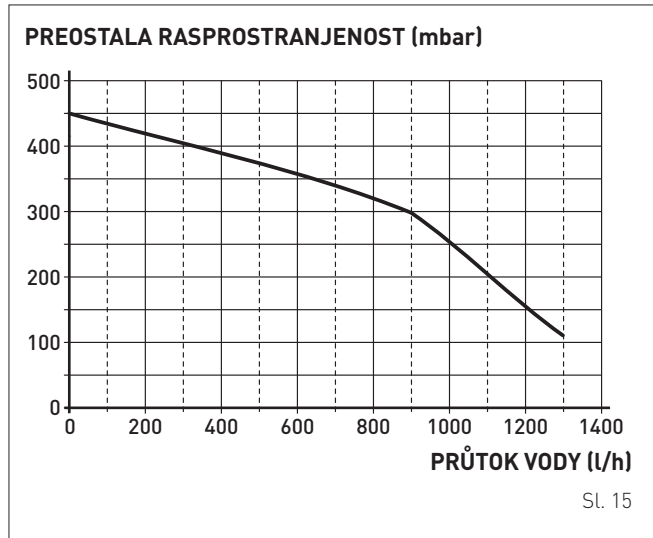


UPOZORENJE

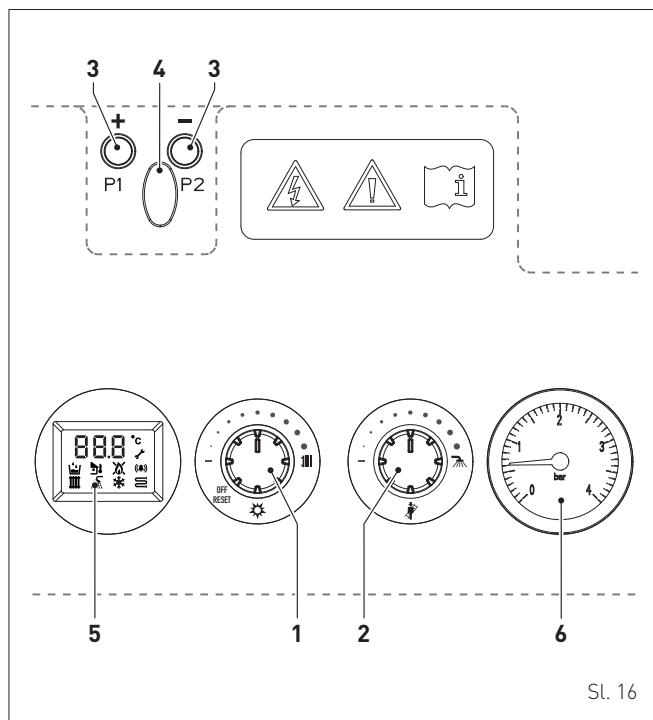
- Za postrojenja sa sadržajem vode koji je veći od maksimalnog sadržaja sistema (prikazan u tabeli) potrebno je obezbediti dodatnu ekspanzionu posudu.
- Razlika u visini između sigurnosnog ventila i najviše tačke sistema može biti maksimalno 6 metara. Za veće razlike, povećajte pritisak punjenja ekspanziona posude i hladnog postrojenja za 0,1 bar za povećanje od 1 metra.

5.10 Cirkulaciona pumpa

Kriva korisnog protoka-rasprostranjenosti koja je dostupna za sistem grejanja prikazana je na sledećem grafikonu.



5.11 Kontrolna tabla



1 VIŠENAMENSKO DUGME ZA GREJANJE

Dugme za grejanje tokom normalnog rada omogućava da:

odaberete „režim rada ZIMA“ (Grejanje i Topla sanitarna voda) i podesite zadatu vrednost.

odaberete „režim rada LETO“ (samo Topla sanitarna voda).

OFF isključite kotao uz isključivanje svih zahteva za grejanje. Međutim, sledeće funkcije ostaju aktivne: antifriz, pumpa protiv zagušenja i 3-smerni ventil.

RESET deblokiranje sistema nakon trajnog zaključavanja. Resetovanje se vrši okretanjem tastera na **“OFF/Reset“**; zatim sačekajte dok ne vidite poruku **“RES“** na ekranu i okrenite taster u prethodni položaj.

2 SANITARNO VIŠENAMENSKO DUGME

Sanitarno dugme, tokom normalnog rada, omogućava da:

se podesi zadata sanitarna vrednost.

podesi „funkcija čišćenja dimnjaka“.

3 SERVISNI TASTERI

+ - Tasteri **+** i **-** (servisni tasteri) rezervisani su za stručno osoblje koje će, uz odgovarajuće operacije, opisane u određenim poglavljima, biti u mogućnosti da izvrši procedure za konfiguraciju, kalibraciju i normalizovanje sistema kotao-postrojenje.

4 SERVISNI KONEKTOR

Poklopac programskog konektora.



UPOZORENJE

Tasteri **+**, **-** i konektor **NISU** dostupni korisniku, već samo stručnom osoblju.

5 DISPLEJ



„ANTIFRIZ“. Simbol se nalazi u režimu rada Antifriz. U slučaju paljenja kotla, simbol ili simbol će takođe biti prisutan, u zavisnosti od vrste antifriza koji je u toku (sanitarni ili grejanje).



„TOPLA SANITARNA VODA“. Simbol je prisutan tokom ACS zahteva; treperi tokom odabira sanitarne zadate vrednosti.



„GREJANJE“. Simbol je stalno prisutan za vreme grejanja; treperi tokom odabira zadate vrednosti grejanja.



„PRISUSTVO PLAMENA“. Simbol je fiksiran tokom rada gorionika, kada sistem očitava prisutni plamen.



„ZAKLJUČAVANJE“ ZBOG NEDOSTATKA PLAMENA. Simbol je stalno prisutan kada sistem NE očitava plamen.



„ALARM“. To ukazuje da je došlo do greške. Prisustvo drugog simbola određuje uzrok koji ga je generisao (pogledajte paragraf „Godovi grešaka i moguća rešenja“).



„TEMPERATURA“. Prikazuje vrednost temperature izraženu u stepenima Celzijusa.



„VANJSKA SONDA“. Simbol je prisutan kada kartica prepoznaje da je vanjska sonda povezana. Da biste promenili krivulju spoljašnje sonde, okrenite višenamensko dugme za grejanje .



„PRITISAK VODE“. Simbol je prisutan zajedno sa simbolom i ukazuje na nedostatak pritiska vode u grejnom krugu.



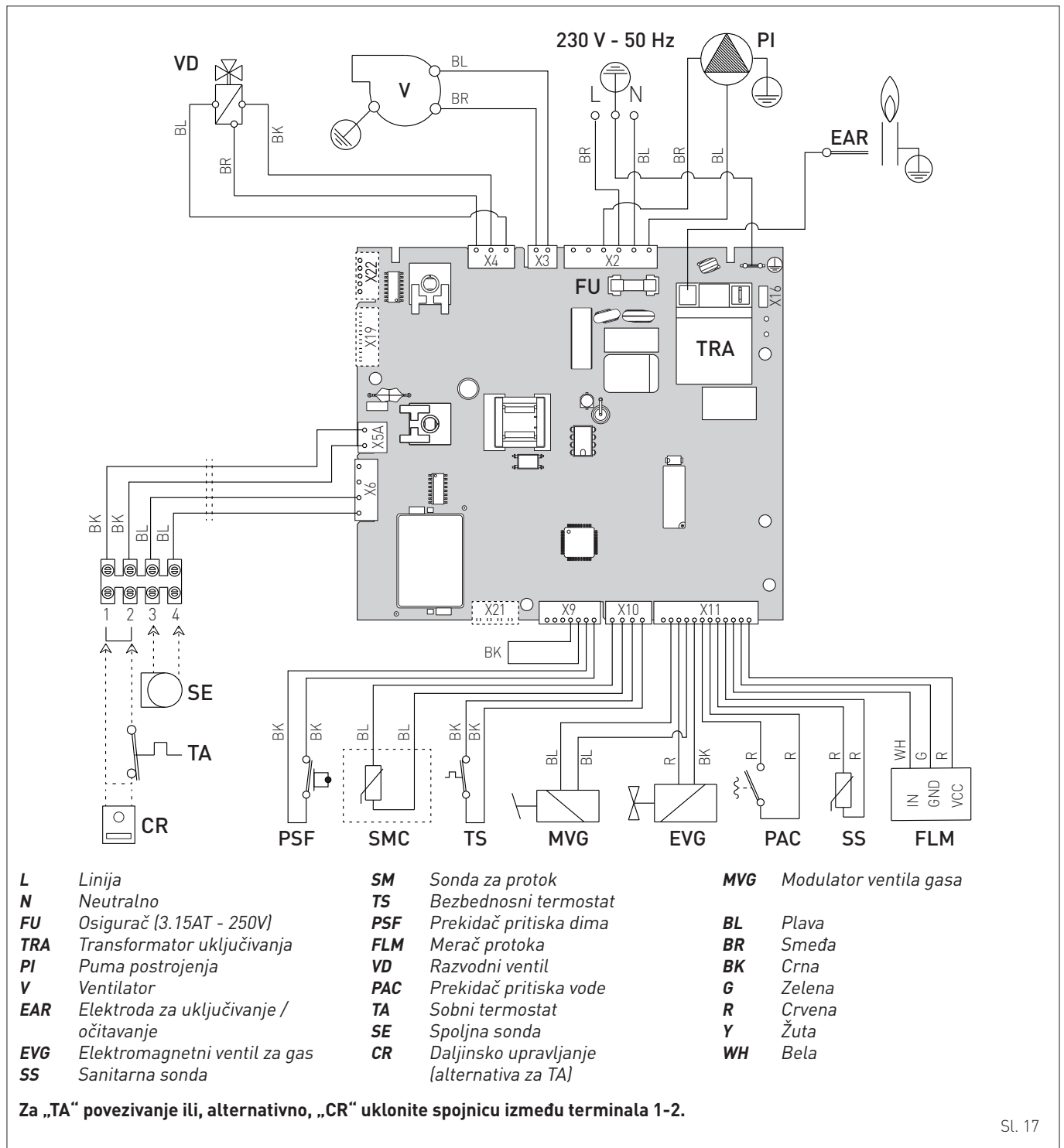
„ČIŠĆENJE DIMNJAKA“. Simbol je prisutan zajedno sa simbolom i ukazuje na potrebu da se aktivira funkcija Čišćenje dimnjaka.



„PREGREJAVANJE“. Simbol treperi kada temperatura sistema dostigne prekomeran i potencijalno opasan nivo.

6 MANOMETAR

5.12 Električna shema



Sl. 17

**UPOZORENJE**

Obavezno je:

- Upotreba omnipolarnog magnetotermalnog prekidača, prekidača za isključivanje u skladu sa EN standardima i koji omogućava potpuni prekid u uslovima prenapona kategorije III (tj. sa najmanje 3 mm razmaka između otvorenih kontakata).
- Uvek držite kablove za napajanje odvojene od signalnih kablova. Da biste izbegli probleme sa smetnjama, uvek koristite zaštićene signalne kablove.
- Poštujte vezu L (Faza) - N (Neutralno).
- Spojite uzemljeni kabl na efikasan sistem uzemljenja.

**UPOZORENJE**

Obavezno je:

- Pošto je priključak za napajanje sistema tipa "Y", kabl za napajanje može zameniti isključivo proizvođač ili ovlašćeni servis.

**UPOZORENJE**

Proizvođač nije odgovoran za bilo kakvu štetu nastalu usled neuspelog uzemljenja uređaja i nepoštovanje dijagrama ožičenja.

**ZABRANJENO JE**

Koristite cevi za vodu da biste uzemljili uređaj.

UPUTSTVA ZA POSTAVLJANJE I ODRŽAVANJE

SADRŽAJ

6	POSTAVLJANJE	100	7	PUŠTANJE U RAD	111
6.1	Prijem proizvoda	100	7.1	Preliminarne operacije	111
6.2	Dimenzije i težina	100	7.2	Pre puštanja u rad	111
6.3	Pomeranje	100	7.3	Prikaz i podešavanje parametara	112
6.4	Prostorija za postavljanje	101	7.4	Popis parametara	113
6.5	Novo postavljanje ili postavljanje za zamenu drugog uređaja	101	7.5	Prikaz alarma/kvarova koji su se desili	113
6.6	Čišćenje postrojenja	101	7.6	Provere i podešavanja	113
6.7	Tretiranje vode postrojenja	102	7.6.1	Funkcija čišćenja dimnjaka i kalibracija ventila gasa	113
6.8	Sastavljanje kotla	102	7.7	Promena gasa koji se može koristiti	116
6.9	Hidrauličko povezivanje	102			
6.9.1	Hidraulički dodaci (opcionarno)	102	8	ODRŽAVANJE	118
6.10	Toplotna izolacija cevi	103	8.1	Propisi	118
6.11	Dovod gasa	103	8.2	Spoljno čišćenje	118
6.12	Odvod dima i vazduha za sagorevanje	103	8.2.1	Čišćenje kućišta	118
6.12.1	Koaksijalni kanali (Ø 60/100 mm i Ø 80/125 mm)	105	8.3	Unutarnje čišćenje	118
6.12.2	Odvojeni kanali (Ø 80mm)	105	8.3.1	Čišćenje izmenjivača	118
6.13	Električno povezivanje	107	8.3.2	Čišćenje gorionika	119
6.13.1	Sonda spoljašnje temperature	108	8.3.3	Provera elektrode za uključivanje/očitavanje	119
6.13.2	Programibilni ili sobni termostat	108	8.3.4	Završne operacije	119
6.13.3	PRIMERI upotrebe uređaja za upravljanje/kontrolu na nekim tipovima postrojenja za grejanje	108	8.4	Kontrole	119
6.14	Punjenje i pražnjenje	109	8.4.1	Kontrola provoda dima	119
6.14.1	Operacije PUNJENJA	109	8.4.2	Kontrola pritiska ekspanzione posude	119
6.14.2	Operacije PRAŽNJENJA	110	8.5	Vanredno održavanje	119
			8.6	Godovi grešaka i moguća rešenja	120

6 POSTAVLJANJE

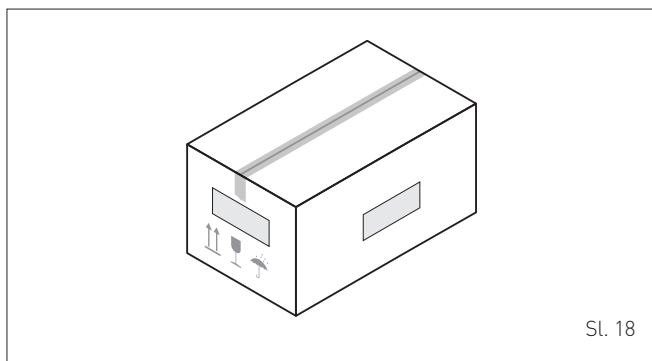


UPOZORENJE

Radovi postavljanja uređaja mora obavljati isključivo tehnička služba **Sime** ili stručno osoblje **uz obavezu da nosi** odgovarajuću bezbednosnu zaštitu.

6.1 Prijem proizvoda

Uređaji **GO BF** se isporučuju u jednom pakovanju zaštićenom kartonskom ambalažom.



Sl. 18

Sledeći materijal se nalazi u plastičnoj vrećici, smeštenoj unutar pakovanja:

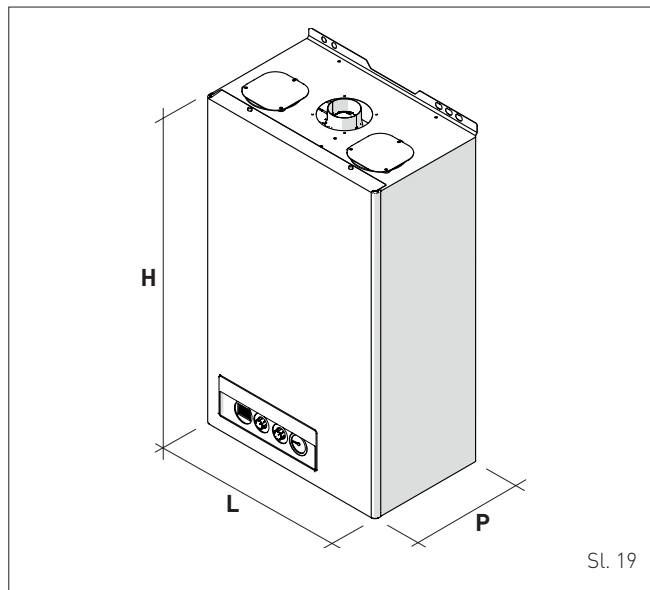
- Priručnik za postavljanje, korišćenje i održavanje
- Šablon za sastavljanje kotla
- Sertifikat za hidraulični test
- Dijafragma
- Vrećica sa ekspanzionim zavrtnjima



ZABRANJENO JE

Bacanje u okolinu i ostavljanje ambalažnog materijala na dohvatu deci može biti potencijalni izvor opasnosti. Stoga ga morate odlagati u skladu sa važećim zakonom.

6.2 Dimenzije i težina

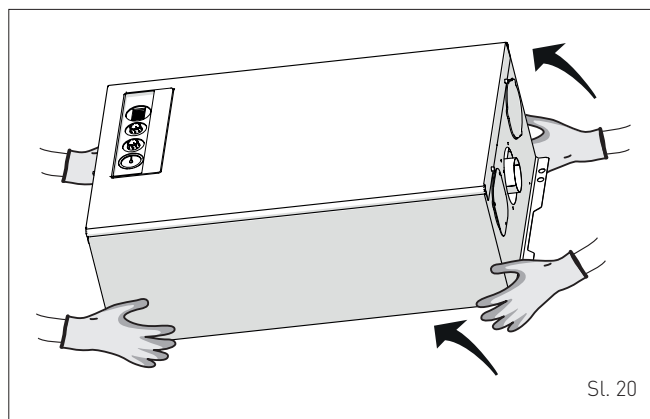


Sl. 19

Opis	GO BF
	18/25
L (mm)	420
P (mm)	255
H (mm)	700
Težina (kg)	28

6.3 Pomeranje

Nakon što se ambalaža ukloni, uređaj se ručno pomiče naginjanjem i podizanjem hvatanjem za "čvrste" dijelove kao što su postolje i struktura, kao što je prikazano na slici.



Sl. 20



PAŽNJA

Koristite odgovarajuću zaštitnu opremu kako biste uklonili ambalažu i pomerili aparat. Poštujte maksimalnu težinu koja se može podići po osobi.

6.4 Prostorija za postavljanje

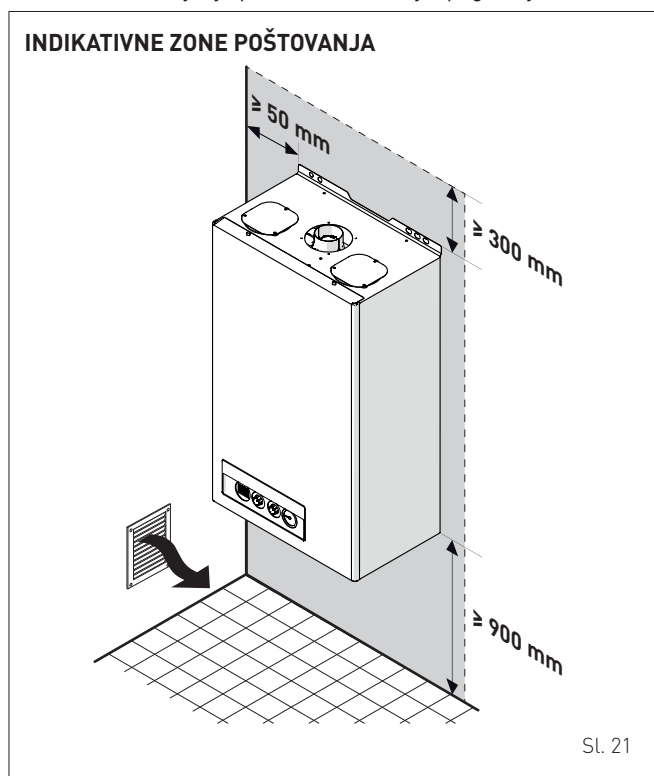
Lokacija instalacije uvek mora da bude u skladu sa tehničkim standardima i aktuelnim propisima. Mora da bude opremljena ventilacionim otvorima odgovarajuće veličine kada se radi o instalaciji „TIP B“. Osim toga, mora da bude dizajnirana tako da što više umanjuje nivo buke tokom rada uređaja.

Minimalna temperatura prostorije za instalaciju NE smije pasti ispod -5°C .



UPOZORENJE

- Pobrinite se da postavite uređaj na mjestu zaštićena od kontinuirane sunčeve svjetlosti, lošeg vremena i vlažnog i vlažnog okruženja.
- Tehničar, pre montaže uređaja **MORA** osigurati da zid može podneti njegovu težinu.
- Uzmite u obzir prostor koji je potreban za pristup bezbednosnim/regulacionim uređajima i za obavljanje poslova održavanja (pogledajte Sl. 21).



UPOZORENJE

- Za kotlove sa koaksijalnim izduvnim kanalima nije potrebno poštovati minimalne udaljenosti od zapaljivih zidova, jer tokom normalnog rada kotla temperatura kanala nikada ne dostiže visoke temperature (razlika temperatura između zida i okoline nikada ne prelazi 60 K).
- Za kotlove sa podeljenim usisnim i izduvnim kanalima, u slučaju zapaljivih zidova i prodora, postavite izolacionu zaštitu između zida i kanala za odvod dima.

6.5 Novo postavljanje ili postavljanje za zamenu drugog uređaja

Kada se bojleri **GO BF** instaliraju u novim sistemima ili kao zamena u postojećim sistemima, preporučujemo da proverite sledeće:

- dimnjak je pogodan za temperature proizvoda sagorevanja, izračunava se i izrađuje prema standardu, što je moguće ravnije, zapečaćen, izolovan, nema začepljenja ili skupljanja i opremljen je odgovarajućim sistemima za sakupljanje i odvođenje kondenzata
- električni sistem izgradilo stručno osoblje u skladu sa specifičnim standardima
- vod za dovod goriva i eventualni rezervoar (G.P.L.) su napravljeni u skladu sa specifičnim standardima
- ekspanziona posuda osigurava potpunu apsorpciju širenja tečnosti koja se nalazi u sistemu
- brzina protoka i glava pumpe odgovaraju karakteristikama postrojenja
- postrojenje se pere, čisti od blata, inkrustacija, odzračuje i zapečaćuje. Da biste očistili sistem, pogledajte poseban paragraf
- da li se na mreži za punjenje instalacije za grejanje nalazi sistem za zadržavanje, koji treba da realizuje instalater, i koji će sprečiti da nepitka vode dospe u mrežu za snabdevanje vodom.



UPOZORENJE

Proizvođač nije odgovoran za bilo kakvu štetu nastalu nepravilnom konstrukcijom dimnog sistema ili prekomernom upotrebom aditiva.

6.6 Čišćenje postrojenja

Pre postavljanja uređaja na novo postrojenje i kao zamena za generator toplote na postojećim postrojenjima, veoma je važno ili neophodno izvršiti temeljno čišćenje postrojenja za uklanjanje mulja, šljake, nečistoća, ostataka prerade itd.

Za postojeća postrojenja, pre uklanjanja starog generatora, predlažemo:

- dodajte aditiv za uklanjanje kamenca u vodu postrojenja
- upravljajte postrojenjem sa aktivnim generatorom nekoliko dana
- ispuštite prljavu vodu iz postrojenja i operite je jednom ili više puta čistom vodom.

Ako je stari generator već uklonjen ili nije dostupan, zamenite ga pumpom za cirkulaciju vode u postrojenju i nastavite kako je iznad opisano.

Nakon čišćenja, prije postavljanja novog uređaja, preporučuje se dodavanje zaštitne vode od korozije i taloženja u vodu sistema.



UPOZORENJE

- Za dodatne informacije o vrsti i upotrebi aditiva obratite se proizvođaču uređaja.
- Podsećamo vas da **MORATE** postaviti Y-filter, koji se ne isporučuje s uređajem, na povratnom vodu (R) postrojenja za grejanje.
- Preporučuje se instalacija separatora mulja, koji nije isporučen sa uređajem, ispred Y filtera radi sakupljanja i odvajanja nečistoća prisutnih u sistemu.

6.7 Tretiranje vode postrojenja

Za punjenje i eventualno dopunjavanje postrojenja dobro je koristiti vodu sa:

- izgled: moguće prozirno
- pH: 6÷8
- tvrdoća: < 25 °f.

Ako se karakteristike vode razlikuju od navedenih, preporučuje se upotreba sigurnosnog filtera na vodovodnoj cevi za zadržavanje nečistoća i sistem za hemijsku obradu kako bi se zaštitila od mogućih inkrustacija i korozije koja bi mogla ugroziti rad kotla.

Ako su postrojenja na niskoj temperaturi, preporučuje se upotreba proizvoda koji inhibira bakterijsku proliferaciju.

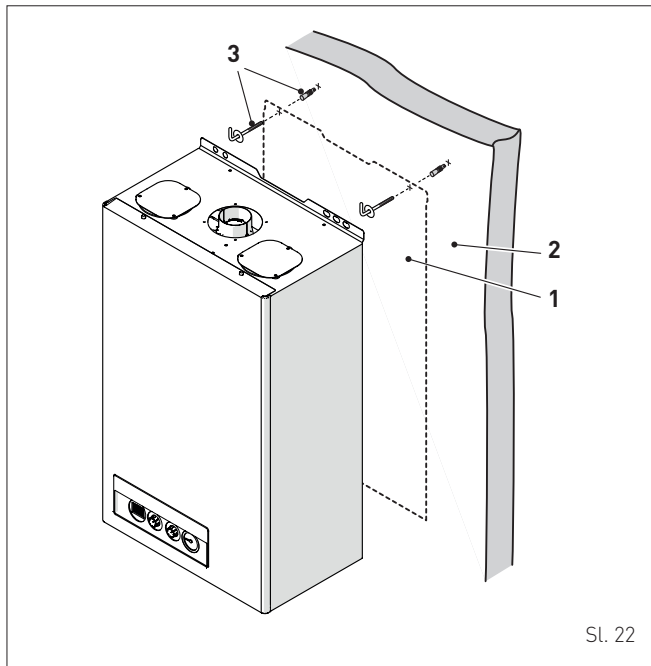
U svakom slučaju, poštujujte i pridržavajte se posebnih zakona i tehničkih standarda koji su na snazi u zemlji u kojoj se uređaj koristi.

6.8 Sastavljanje kotla

Kotlovi **GO BF** napuštaju fabriku sa šablonom za postavljanje na čvrsti zid.

Za postavljanje:

- postavite šablon (1) na zid (2) gde želite da postavite kotao
- izbušite rupe i umetnite ekspanzione diblove (3)
- okačite kotao na diblove.



Sl. 22



UPOZORENJE

Visina kotla mora biti izabrana tako da pojednostavljuje operacije skidanja i održavanja.

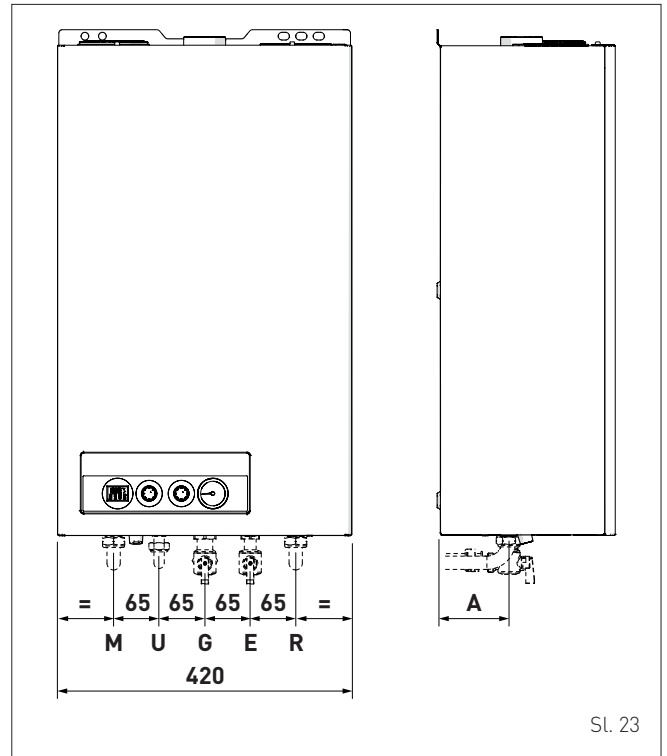


UPOZORENJE

Važno je da uređaj bude savršeno postavljen vertikalno i horizontalno. Koristite libelu ili odgovarajući alat kako biste proverili da li je savršeno postavljen vertikalno i horizontalno. Gde je potrebno, stavite odgovarajuće distancere kako biste uređaj postavili u ispravan radni položaj.

6.9 Hidrauličko povezivanje

Hidraulični priključci imaju karakteristike i dimenzije prikazane ispod.



Sl. 23

Opis	GO BF
	18/25
M - Protok postrojenja	Ø 3/4" G
R - Povratak postrojenja	Ø 3/4" G
U - Izlaz sanitarne vode	Ø 1/2" G
E - Ulaz sanitarne vode	Ø 1/2" G
G - Dovod gasa	Ø 3/4" G
A (mm)	101



PAŽNJA

Pražnjenje svakog instaliranog sigurnosnog ventila mora biti povezano sa odgovarajućim sistemom za sakupljanje i evakuaciju preko odgovarajućih cevi. Proizvođač nije odgovoran za poplave ili oštećenja električne opreme uzrokovane intervencijom sigurnosnog ventila.

6.9.1 Hidraulički dodaci (opcionarno)

Da bi se olakšalo hidraulično i gasno povezivanje kotlova sa sistemima, dodatna oprema prikazana u tabeli je dostupna za naručivanje odvojeno od kotla.

OPIS	KOD
Ploča za postavljanje	8075448
Komplet za sastavljanje	8075428
Komplet slavina	8091806
Komplet za zamenu zidova drugih brendova	8093900
Komplet za doziranje polifosfata	8101700
Komplet za dopunjavanje dozatora	8101710

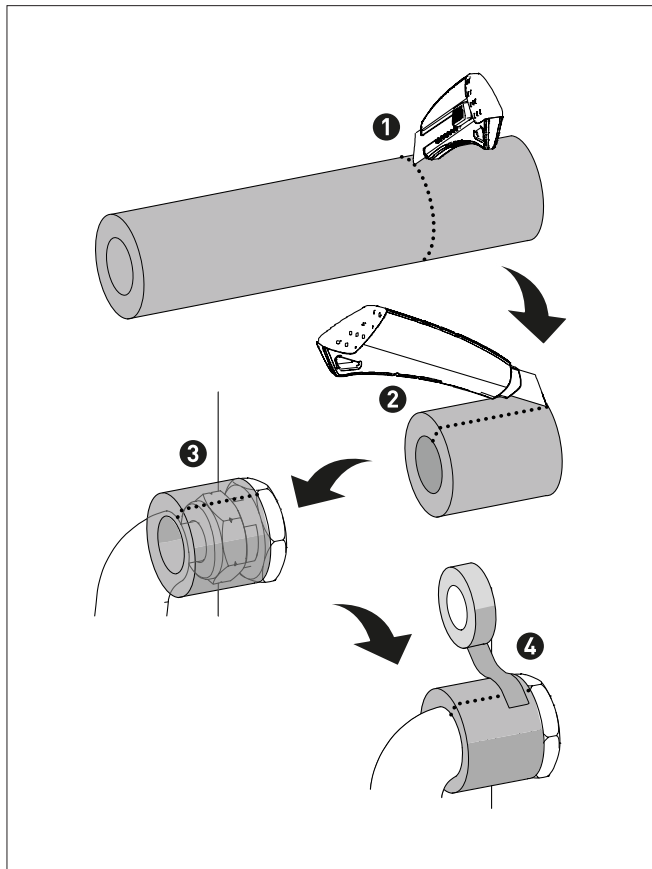
NAPOMENA: uputstva za komplet se dobijaju uz dodatak ili su prikazana na pakovanju.

6.10 Toplotna izolacija cevi



UPOZORENJE

Nakon što završite operacije instaliranja, treba da izolujete delove cevi i otkrivene priključke pomoću toplotne izolacione cevi odgovarajućih dimenzija.



6.11 Dovod gasa

Kotlovi **GO BF** napuštaju fabriku posebno dizajniranu za G20 gas, ili za G30/G31. Modeli za G20 oni mogu pretvoriti u rad s G30/G31 koristeći „specifičan komplet mlaznica“ (opcionarno) koji isporučuje **Sime**, na zahtev, odvojeno od kotla.

U slučaju transformacije korišćenog gasa, sprovedi cijelu fazu „**ZAMENA GASA KOJI SE MOŽE KORISTITI**“ uređaja.

Priključivanje kotlova na dovod gasa mora se izvršiti u skladu sa propisima o ugradnji koji su na snazi u zemlji u kojoj se uređaj koristi.

Pre uspostavljanja veze potrebno je osigurati:

- vrsta gasa je onaj za koji je uređaj postavljen
- cevi se temeljito očišćene
- cev za dovod gasa je iste veličine ili veća od one u kotlu (G 3/4 ") što garantuje minimalni dinamički pritisak naveden u poglavlju „**Provere i podešavanja**“.



PAŽNJA

Kada je postavljanje završeno, proverite da li su spojevi koji su napravljeni čvrsto postavljeni u skladu sa standardima za postavljanje.



UPOZORENJE

Na gasovodu se preporučuje upotreba odgovarajućeg filtera.



UPOZORENJE

U slučaju transformacije gasa za napajanje, od G20 do G30 ili G31, označite odgovarajuće polje na **TEHNIČKOJ PLOČICI**.

G30 - 30 mbar



Ili:

G31 - 37 mbar



6.12 Odvod dima i vazduha za sagorevanje

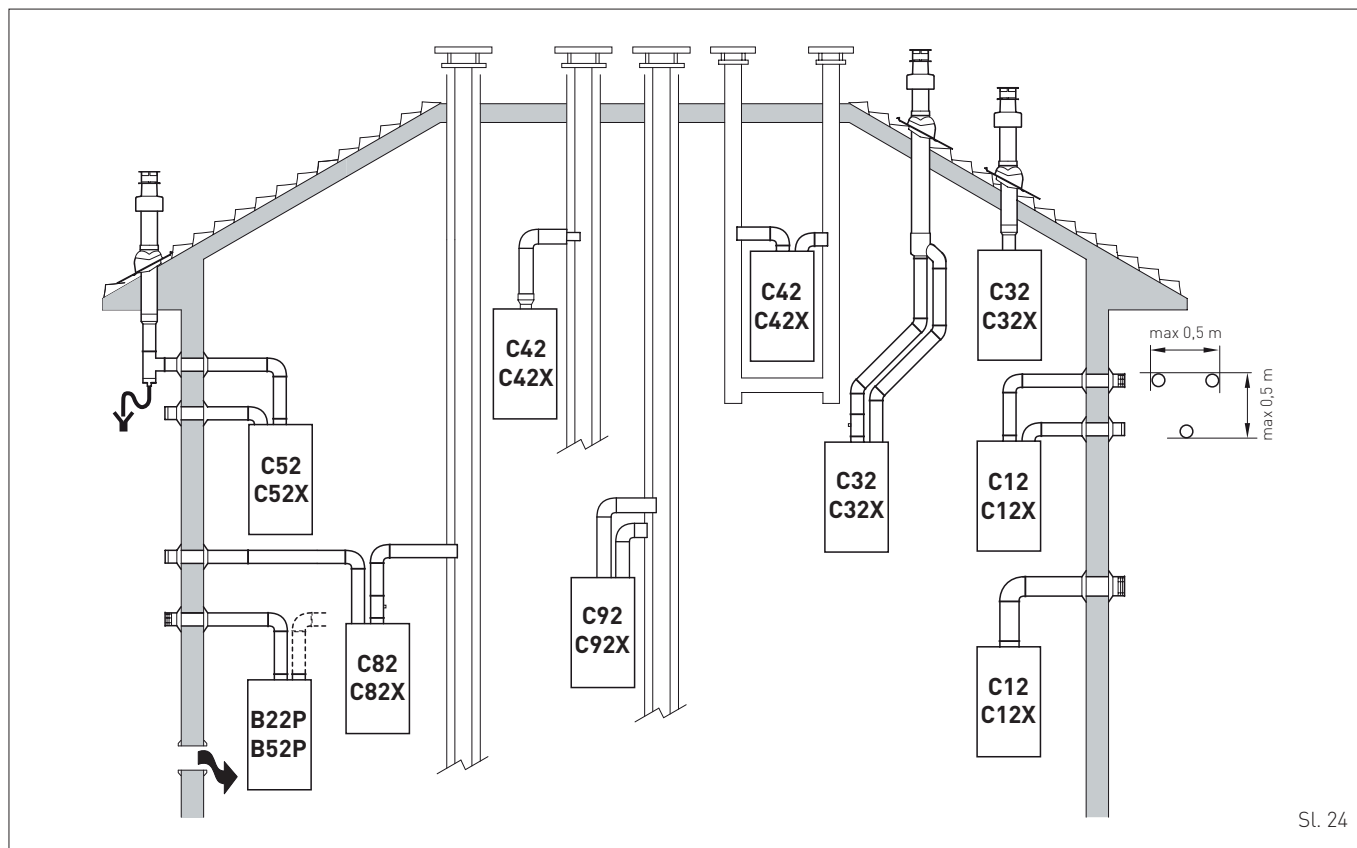
Kotlovi **GO BF** moraju biti opremljeni odgovarajućim odvodnim kanalima za dimne gasove i vazduh za sagorevanje. Ovi kanali se smatraju sastavnim delom kotla i **Sime** ih snabdeva u dodatnom kompletu, koji se naručuje odvojeno od uređaja na osnovu dozvoljenih vrsta i zahteva za postavljanje.



UPOZORENJA

- Izvodni kanal i priključak za dim moraju biti izvedeni u skladu sa nacionalnim i lokalnim propisima i važećim propisima u zemlji u kojoj se uređaj koristi.
- Obavezna je upotreba krutih kanala koji su otporni na temperaturu, kondenzaciju, mehanička naprezanja i nepropusni.
- Neizolovani odvodni kanali su potencijalni izvori opasnosti.
- Odvodni kanali za dimne gasove mogu biti od aluminijuma ili nerđajućeg čelika.

Dozvoljene vrste odvoda i kanala



Sl. 24

Pražnjenje	Opis	Koaksijalni kanali		Odvojeni kanali		
		Ø 60/100	Ø 80/125	Ø 80	Ø 60	Ø 50
B22P-B52P	Odvod vazduha za sagorevanje u prostoriji i izduvni gasova napolju. NAPOMENA: otvor za vazduh za sagorevanje [6 cm ² x kW]			X		
C12-C12X	Uređaj je predviđen za povezivanje preko svojih cevi na vodoravni terminal, koji istovremeno omogućava ulaz vazduha za sagorevanje i odvod dimnih gasova kroz koncentrične otvore ili susedne otvore (* Qn Maks. < 70 kW = do 50 cm, Qn Maks. > 70 kW = do 100 cm) koji treba da budu izloženi sličnim uslovima vetra.	X	X	X		
C32-C32X	Uređaj je predviđen za povezivanje preko svojih cevi na krovni terminal, koji istovremeno omogućava ulaz vazduha za sagorevanje i odvod dimnih gasova kroz koncentrične otvore ili susedne otvore (* Qn Maks. < 70 kW = do 50 cm, Qn Maks. > 70 kW = do 100 cm) koji treba da budu izloženi sličnim uslovima vetra.	X	X	X		
C42-C42X	Odvod i aspiracija u odvojene zajedničke dimne cevi, ali koje su izložene sličnim uslovima vetra. Kotlovi tipa C4 pogodni su za povezivanje na cev s prirodnom vučom, s maksimalnim padom pritiska od 0,5 mbar. Temperatura pregrejanih produkata sagorevanja iznosi 98°C	X	X	X		
C52-C52X	Odvojite odvode zidom ili na krovu i u svakom slučaju u područjima sa različitim pritiscima. NAPOMENA: izduvni gasovi se nikada ne smeju postaviti na suprotne zidove.			X		
C82-C82X	Odvod u pojedinačnu ili zajedničku dimnu cev i zidna aspiracija. Kotlovi tipa C8 pogodni su za povezivanje na cev s prirodnom vučom, s maksimalnim padom pritiska od 2 mbar. Temperatura pregrejanih produkata sagorevanja iznosi 98°C			X		
C92-C92X	Odvojeno ispuštanje i usisavanje u zajedničkoj cevi za dim. Minimalni poprečni presek kanala za dovod vazduha za sagorevanje Ø 60 mm			X		
C62-C62X	Odvod i aspiracija realizovani s cevima koje se prodaju i sertifikuju odvojeno. Temperatura pregrejanih produkata sagorevanja iznosi 98°C. Maksimalna dozvoljena recirkulacija iznosi 10% u odnosu na nazivnu vrednost CO ₂ navedenu u tabeli " Tehničke karakteristike ". Odvod i aspiracija nikada ne treba da budu postavljeni na naspramne zidove. Uređaj ne može da se poveže na zajedničku dimnu cev koja radi u uslovima pozitivnog pritiska.					

P: odvodni sistem dizajniran da radi sa pozitivnim pritiskom.

X: инсталирани уређаји и припадајући одводници дима.

Sve mjere su izražene u mm.

6.12.1 Koaksijalni kanali (Ø 60/100 mm i Ø 80/125 mm)

Koaksijalni dodaci

Opis	Kod	
	Ø 60/100 mm	Ø 80/125 mm
Komplet koaksijalnih kanala	8084813	8084830
Produžetak L. 1000 mm	8096103	8096130
Produžetak L. 500 mm	8096102	-
Vertikalni produžetak L. 200 mm sa priključkom za analizu dimova	8086908	-
Adapter za Ø 80/125 mm	-	8093120
Dodatna kriva od 90 °	8095801	8095820
Dodatna kriva od 45 °	8095900	8095920
Pločica sa zglobom	8091300	8091300
Krovni izlazni terminal L. 1284 mm	8091200	8091200
Vertikalni sakupljač kondenza L. 200 mm	8092803	8092803

Padovi pritiska - Ekvivalentne dužine

Model	Leq (linearni metri)	
	Ø 60/100 mm	Ø 80/125 mm
Kriva od 90 °	1	1
Kriva od 45 °	0,5	0,8

Minimalna-Maksimalna dužina

Model	Dužina provodnika Ø 60/100				Dužina provodnika Ø 80/125			
	L Horizontalno (m)		H Vertikalno (m)		L Horizontalno (m)		H Vertikalno (m)	
	Min.	Maks.	Min.	Maks.	Min.	Maks.	Min.	Maks.
GO 18/25-BF	-	3,0	1,3 (*)	4,0	3,5	5,5	4,0	6,0



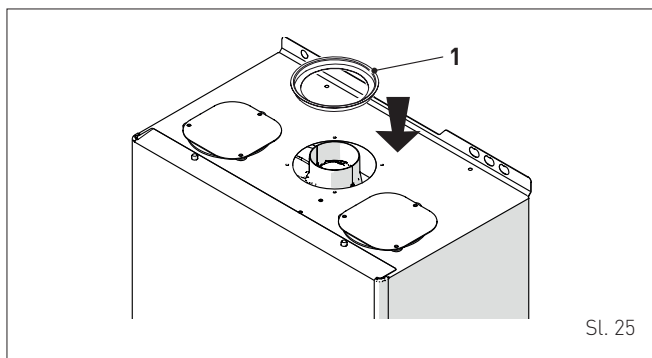
UPOZORENJE

(*) Za vertikalne kanale (vrsta C32) ili vertikalni deo kanala (vrsta C42) duži od 1,3m **OBAVEZNO** je umetnuti vertikalni povrat kondenzata.

Dijafragme za koaksijalne kanale

Kotlovi napuštaju fabriku sa isporučenom membranom (1) sa sledećim karakteristikama:

- GO 18/25- BF: dijafragma Ø 81 mm



Sl. 25

Kada su odvodi **Vrsta C12** ili **C42**, dijafragma mora biti uklonjena ili održavana na sledeći način:

Model	Dijafragma	za L kanala
GO 18/25- BF	DA (postavite je)	< 1 m
GO 18/25- BF	NE (ne koristite)	> 1 m

Kada je odvod **C32 vrste** (vertikalno ravno bez krivina), prisustvo dijafragme menja maksimalnu dužinu kanala kao što je prikazano ispod:

Model	Dijafragma	L max (m)
GO 18/25- BF	DA	1,5
	NE	4,0

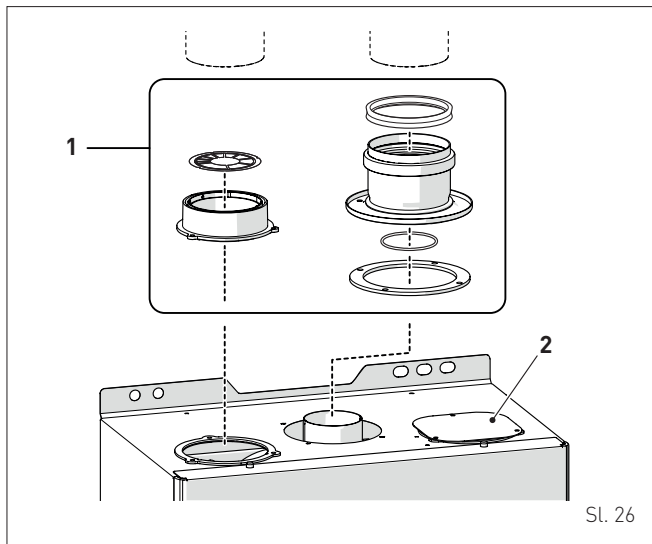
6.12.2 Odvojeni kanali (Ø 80mm)

Postavljanje drenaža sa odvojenim kanalima podrazumeva upotrebu kompleta kod 8089915, koji se naručuje odvojeno od kotla, na koji se, da bi se dovršio odvod dima - vazduha za sagorevanje, mora priključiti ostala dodatna oprema, koja se bira između onih prikazanih u tabeli.

Maksimalna ukupna dužina, dobijena dodavanjem dužina usisnih i odvodnih cevi, određena je gubitkom opterećenja pojedinačnih dodataka i ne smije biti veća od 9 mm H₂O za **GO 18/25- BF**.

Odvojeni dodaci

Opis	Kod
	Promer Ø 80 (mm)
Komplet za odvojene kanale (dimni kanali, usisni čep i segmentna membrana) GO 18/25- BF	8089915
Kriva od 90 ° M-F (6 kom.)	8077410
Kriva od 90 ° M-F (sa tačkom povlačenja)	8077407
Kriva od 90 ° M-F (izolovana)	8077408
Produžetak L. 1000 mm (6 kom.)	8077309
Produžetak L. 1000 mm (izolovan)	8077306
Produžetak L. 500 mm (6 kom.)	8077308
Produžetak L. 135 mm (sa tačkom povlačenja)	8077304
Zidni terminal za odvod	8089501
Komplet unutrašnjih i spoljašnjih navrtki	8091500
Terminal za odvod	8089500
Kriva od 45 ° M-F (6 kom.)	8077411
Sakupljač kondenza L. 135 mm	8092800
Sakupljač	8091400
Pločica sa zglobom	8091300
Krovni izlazni terminal L. 1390 mm	8091201
Tee sakupljač kondenza	8093300
Odvodni priključak Ø 80/125 mm	8091401



Sl. 26

LEGENDA:

- 1 Komplet odvojenih kanala Ø 80
2 Poklopac odvoda vazduha

Pribor za gubitke dovoda Ø 80 mm

Opis	Kod	Gubici dovoda (mm H ₂ O)	
		GO 18/25- BF	
		Odvod	Pražnjenje
Kriva od 90 ° MF	8077410	0,35	0,40
Kriva od 45 ° MF	8077411	0,30	0,35
Horizontalni produžetak L. 1000 mm	8077309	0,20	0,30
Vertikalni produžetak L. 1000 mm	8077309	0,20	0,10
Zidni terminal	8089501	0,15	0,50
Tee sakupljač kondenza	8093300	-	0,80
Terminal sa izlazom na krov (*)	8091200	1,60	0,10

(*) Gubici izlaznog priključka ulaznog krova uključuju razvodnik kod 8091400.

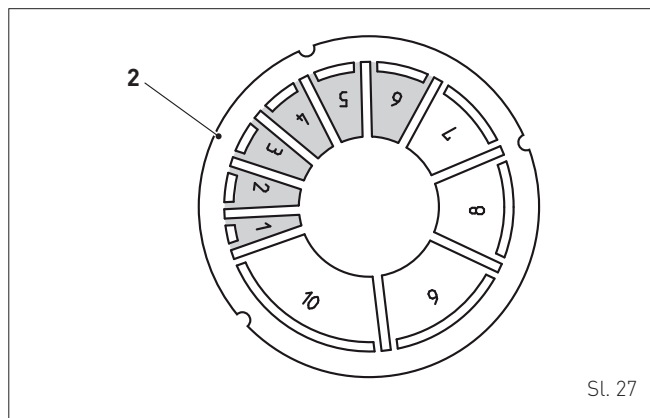
NAPOMENA: za ispravan rad kotla neophodno je, uz krivinu 90 ° za odvod, poštovati minimalno rastojanje kanala 0,50 m.

Primer proračuna gubitaka dovoda kotla GO 18/25- BF.

Pribor Ø 80 mm	Kod	Količina	Gubici dovoda (mm H ₂ O)		
			Odvod	Pražnjenje	Ukupno
Produžetak L. 1000 mm (horizontalni)	8077309	7	7 x 0,2	-	1,40
Produžetak L. 1000 mm (horizontalni)	8077309	7	-	7 x 0,3	2,10
Kriva 90 °	8077410	2	2 x 0,35	-	0,70
Kriva 90 °	8077410	2	-	2 x 0,4	0,80
Zidni terminal	8089501	2	0,15	0,5	0,65
UKUPNO					5,65

(postavljanje je dozvoljeno jer je zbir padova pritiska upotrebljenog pribora manji od 9,0 mmH₂O).

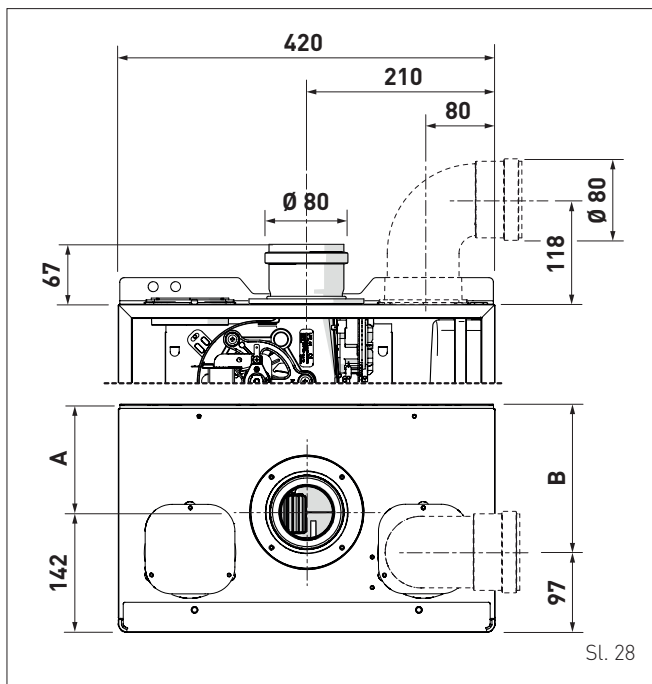
Sa ovim ukupnim gubitkom pritiska potrebno je ukloniti sektore od broja (2) do broja 1 iz odvodne dijafragme 6.



Sl. 27

Br. sektora koji treba ukloniti	Ukupni gubici dovoda (mm H ₂ O)
	GO 18/25- BF
Niko	0 ÷ 2,0
1	2,0 ÷ 3,0
1 ÷ 2	3,0 ÷ 4,0
1 ÷ 3	-
1 ÷ 4	4,0 ÷ 5,0
1 ÷ 5	-
1 ÷ 6	5,0 ÷ 6,0
1 ÷ 7	6,0 ÷ 7,0
1 ÷ 8	-
1 ÷ 9	7,0 ÷ 8,0
1 ÷ 10	-
Cela dijafragma	8,0 ÷ 9,0 (*)

(*) Maksimalni dozvoljeni gubici dovoda.



Opis	GO 18/25- BF
A (mm)	120
B (mm)	165

6.13 Električno povezivanje

Kabl za napajanje mora biti povezan na mrežu 230V ($\pm 10\%$) ~ 50 Hz poštujući L-N polaritet i priključak uzemljenja. Omnipolarni prekidač sa kategorijom prenapona III mora se postaviti u mreži, u skladu sa pravilima instalacije.

U slučaju zamene, ona se mora zatražiti od **Sime**.

Zato su potrebni samo priključci opcionih komponenti, prikazanih u tabeli, koji se naručuju odvojeno od kotla.

OPIS	KOD
Komplet vanjske sonde ($\beta=3435$, NTC 10KOhm a 25°C)	8094101
Daljinsko upravljanje „EASY HOME“	8092279



UPOZORENJE

Operacije održavanja mora obaljšati SAMO stručno osoblje.



UPOZORENJE

Obavezno je:

- upotreba omnipolarnog magnetotermalnog prekidača, linijskog prekidača, u skladu sa EN standardima (kontaktni otvor od najmanje 3 mm)
- Pošto je priključak za napajanje sistema tipa "Y", kabl za napajanje može zameniti isključivo proizvođač ili ovlašćeni servis
- spojite zemni kabl na efikasan sistem uzemljenja
- uvek držite kablove za napajanje odvojene od signalnih kablova. Da biste izbegli probleme sa smetnjama, uvek koristite zaštićene signalne kablove
- da se pre bilo kakve intervencije na kotlu napajanja isključi postavljanjem glavnog prekidača postrojenja na „OFF“.



UPOZORENJE

Proizvođač nije odgovoran za bilo kakvu štetu nastalu usled neuspelog uzemljenja uređaja i nepoštovanje dijagrama ožičenja.



ZABRANJENO JE

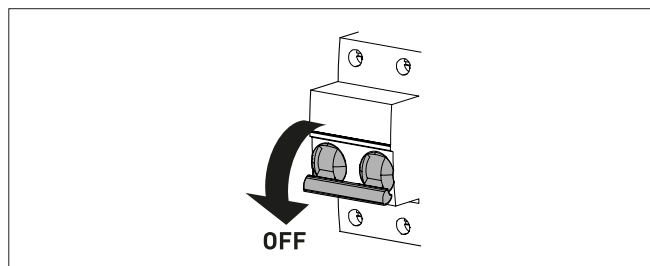
Koristite cevi za vodu da biste uzemljili uređaj.



PAŽNJA

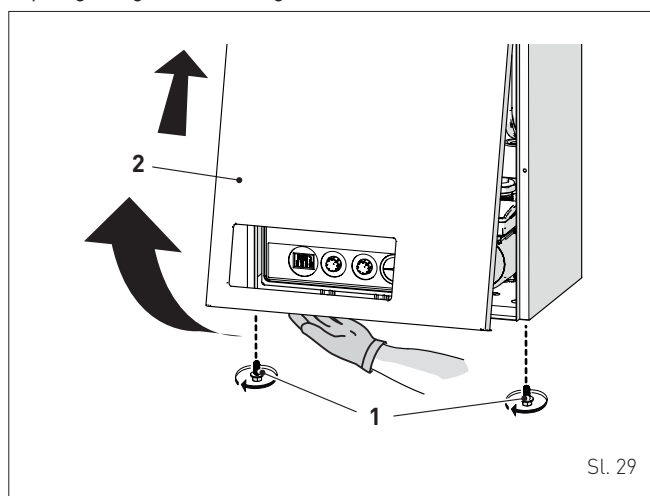
Pre izvođenja operacija opisanih u nastavku:

- postavite glavni prekidač postrojenja na „OFF“ (isključeno)
- zatvorite slavinu za plin
- pazite da ne dodirnete vrelе delove u uređaju.



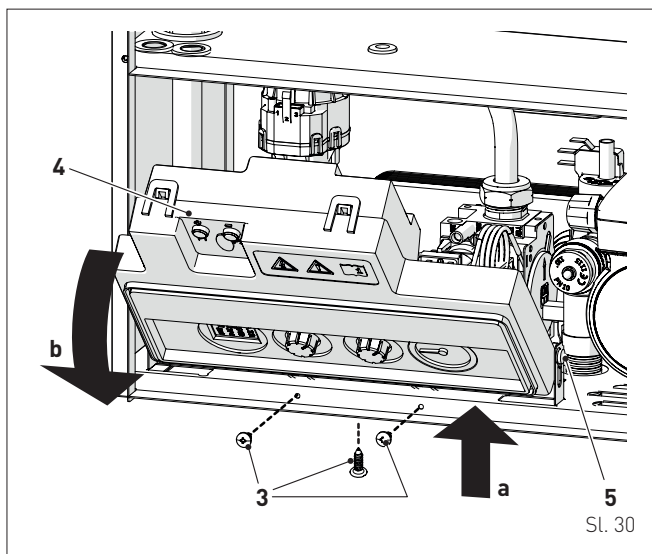
Da bi se olakšao ulaz žica za povezivanje opcionih komponenti u kotao:

- odvijte zavrtnje (1), povucite prednji panel (2) napred i podignite ga kako biste ga oslobodili na vrhu

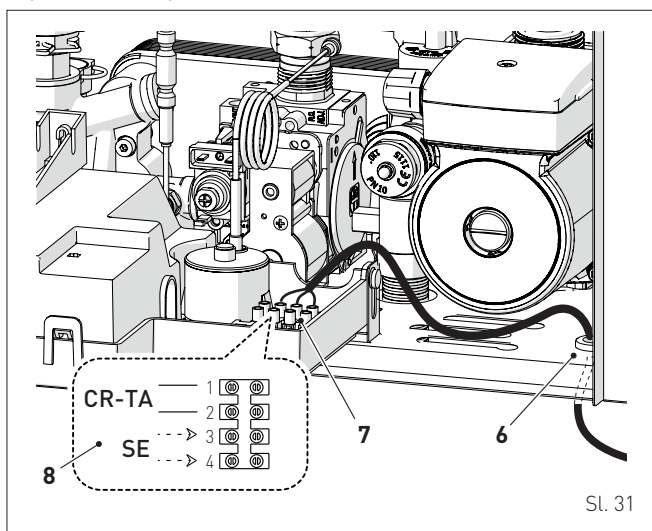


Sl. 29

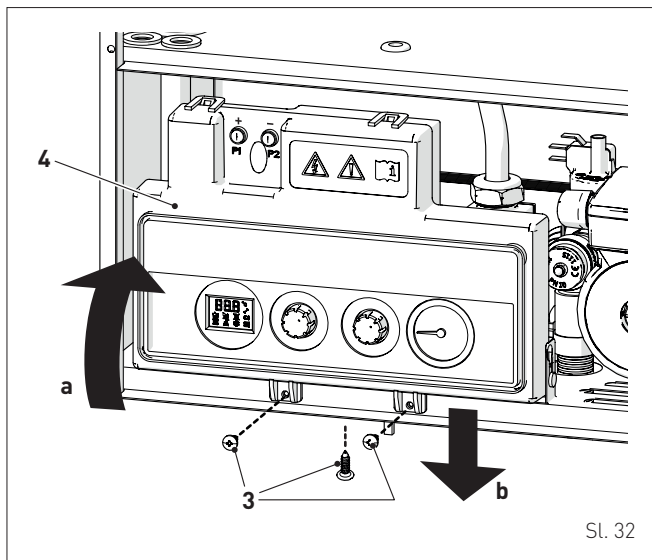
- uklonite zavrtnje (3) osigurajte kontrolnu tablu (4)
- pomerite ploču (4) ka gore (a) držeći ga u bočnim vodilicama (5) dok se ne zaustavi
- okrenite ga prema napred (b) dok ne dođe u horizontalnom položaj



- umetnite žice za povezivanje u kablovsku uvodnicu (6)
- spojite žice komponenti na luster klemu (7) kao što je prikazano na pločici (8)



- vratite kontrolnu tablu (4) u prvobitni položaj i pričvrstite je vijcima (3) prethodno uklonjenim.



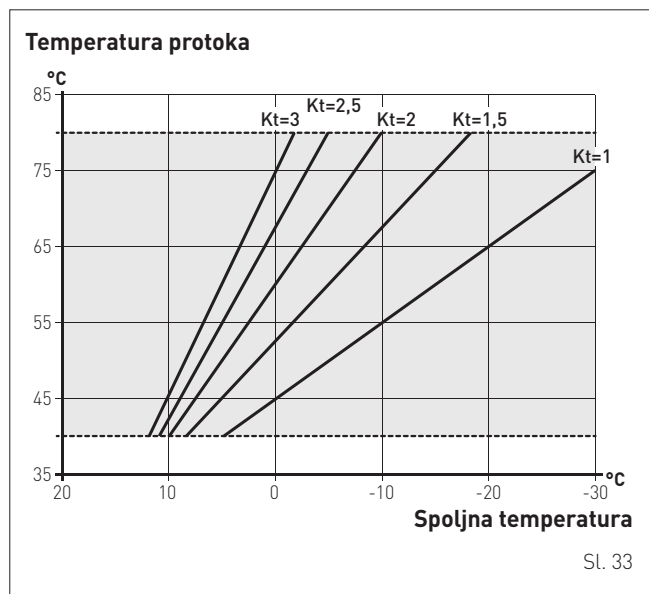
6.13.1 Sonda spoljašnje temperature

Kotao je dizajniran za priključivanje na sondu za detekciju spoljašnje temperature i tako može da funkcioniše pri kliznoj temperaturi.

To znači da se temperatura polaznog voda kotla menja ovisno o vanjskoj temperaturi koja je ovisna o klimatskoj krivoj odabranoj od onih prikazanih na dijagramu (Sl. 33). Klimatska krivulja se podešava preko parametra „tS 0.4“.

Da biste postavili sondu na spoljni deo zgrade, pratite uputstva na pakovanju.

Klimatske krive



UPOZORENJE

U prisustvu spoljne sonde, temperatura podešena za grejanje zavisi od spoljašnje temperature koju detektuje sonda i od „Kt“ faktora podešenog pomoću parametra „S 0.4“.

Okretanjem višenamenskog dugmeta za grejanje možete promeniti proračunatu zadanu vrednost pomicanjem vrednosti za + ili - 13 °C. Ako je dugme u položaju OFF, prikazaće se vrednost spoljne temperature u °C.

6.13.2 Programibilni ili sobni termostat

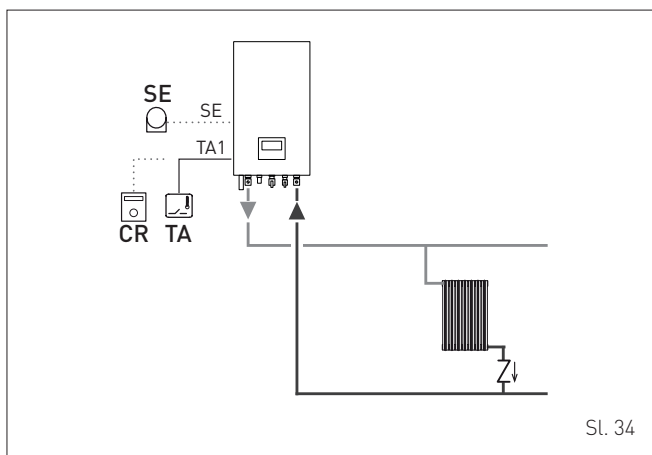
Električno povezivanje programibilnog ili sobnog termostata je prethodno opisano. Da biste postavili sondu na spoljni deo zgrade, pratite uputstva na pakovanju.

6.13.3 PRIMERI upotrebe uređaja za upravljanje/kontrolu na nekim tipovima postrojenja za grejanje

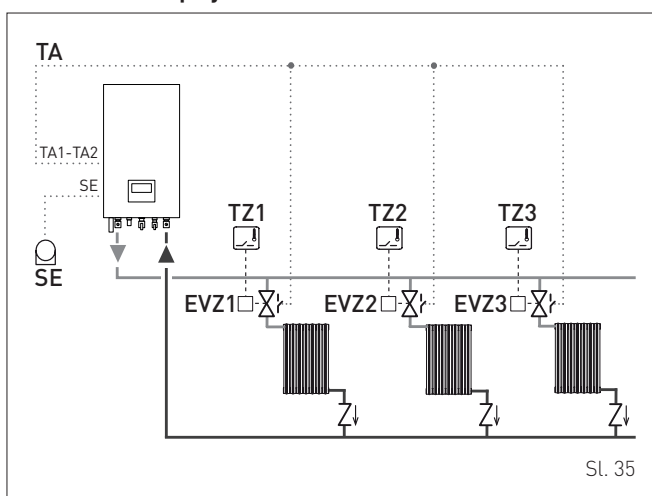
LEGENDA

CR	Daljinsko upravljanje
SE	Sonda spoljašnje temperature
TA	Sobni termostat
TZ1÷TZ3	Zonski sobni termostat
EVZ1÷EVZ3	Зонски соленоидни вентил
KA1÷KA3	Relej područja
PI1÷PI3	Puma postrojenja
SP	Hidraulički separator

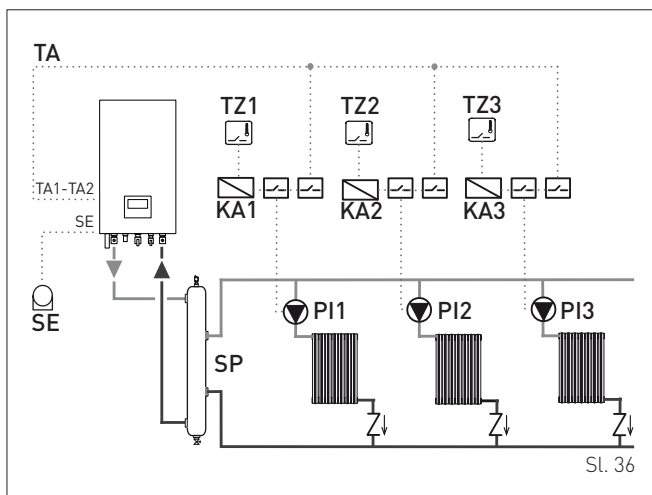
Sistem sa JEDNIM direktnim PODRUČJE, spoljnom sondom i sobnim termostatom.



VIŠEZONSKO postrojenje - sa ventilima područja, sobnim termostata i spoljnom sondom.



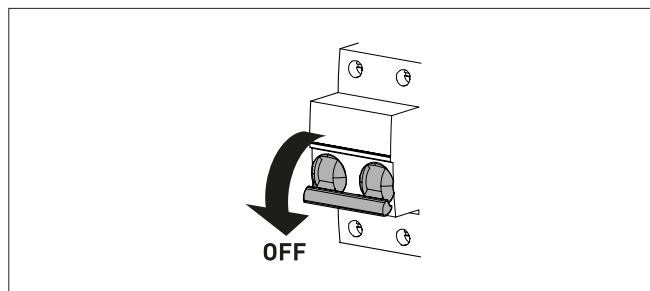
VIŠEZONSKO postrojenje - sa pumpama, sobnim termostata i spoljnom sondom.



NAPOMENA: Podešavanje grejanja, za prvo područje, vrši se pomoću daljinskog upravljača, dok za ostale zone sa ploče kotla. U slučaju istovremenog zahteva za grejanjem, kotao se aktivira na najvišoj podešenoj temperaturi.

6.14 Punjenje i pražnjenje

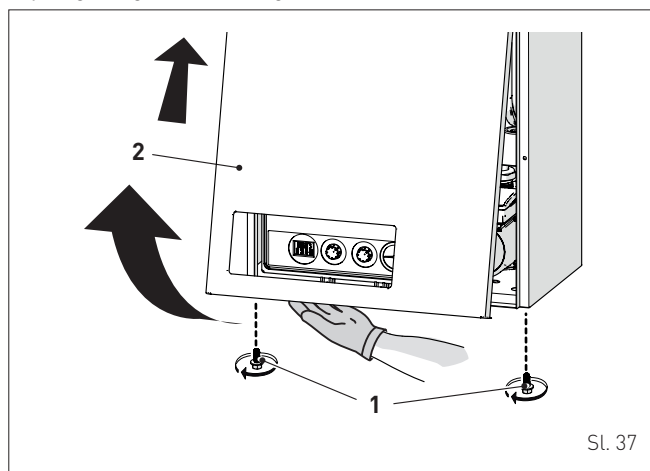
Pre nego što obavite dole opisane operacije, proverite da li je glavni prekidač sistema postavljen na „OFF“ (isključeno).



6.14.1 Operacije PUNJENJA

Uklanjanje prednje ploče:

– odvijte dva zavrtnja (1), povucite prednji panel (2) napred i podignite ga kako biste ga oslobodili na vrhu.



Sanitarni krug:

– otvorite slavinu za prekidanje sanitarnog kruga (ako je predviđeno)
 – otvorite jednu ili više slavina za toplu vodu da napunite i odzračite sanitarni krug
 – kada se odzračivanje završi, ponovo zatvorite slavine za toplu vodu.

Krug grejanja:

– otvoriti ventile za prekidanje i odzračite ih na najvišim tačkama postrojenja
 – odvrnite poklopac automatskog ventila za odzračivanje (3)
 – otvorite slavinu za prekidanje kruga grejanja (ako je predviđeno)
 – otvorite slavinu za punjenje (4) i napunite sistem za zagrevanje dok ne dostigne pritisak od **1-1,2 bara** prikazan na manometru (5)
 – zatvorite slavinu za punjenje (4)
 – proverite da u postrojenju nema vazduha koji bi odzračio sve radijatore i krug u različitim visokim tačkama postavljanja
 – uklonite prednji poklopac (6) pumpe i proverite, pomoću odvijača, da rotor nije blokiran
 – ponovo vratite poklopac (6)

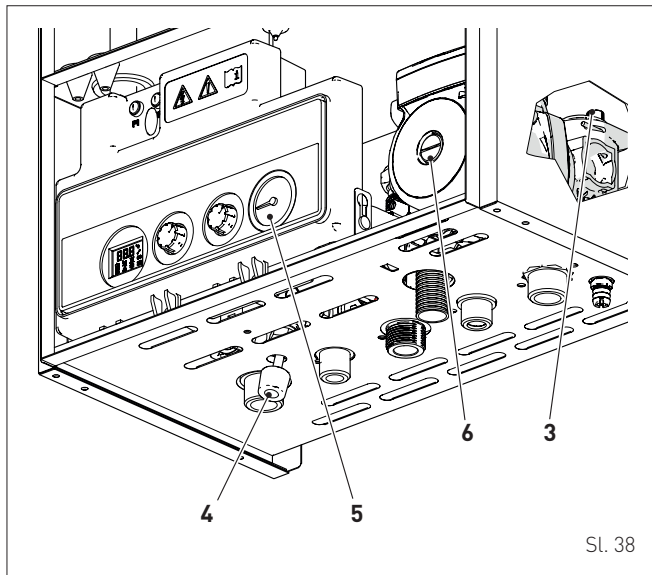
6.14.2 Operacije PRAŽNJENJA

Sanitarni krug:

- zatvorite slavinu za prekidanje sanitarnog kruga (predviđenu pri postavljanju)
- otvorite jednu ili više slavina za toplu vodu da ispraznite sanitarni krug.

Kotao:

- otpustite poklopac ventila za automatsko odzračivanje (3)
- zatvorite slavinu za prekidanje kruga grejanja (predviđenu pri postavljanju)
- proverite da li je slavina za punjenje (4) zatvorena
- spojite gumenu cev na ispusnu slavinu kotla (7) i otvorite je
- po završetku pražnjenja zatvorite slavinu za pražnjenje (7)
- zatvorite poklopac automatskog ventila za odzračivanje (3).

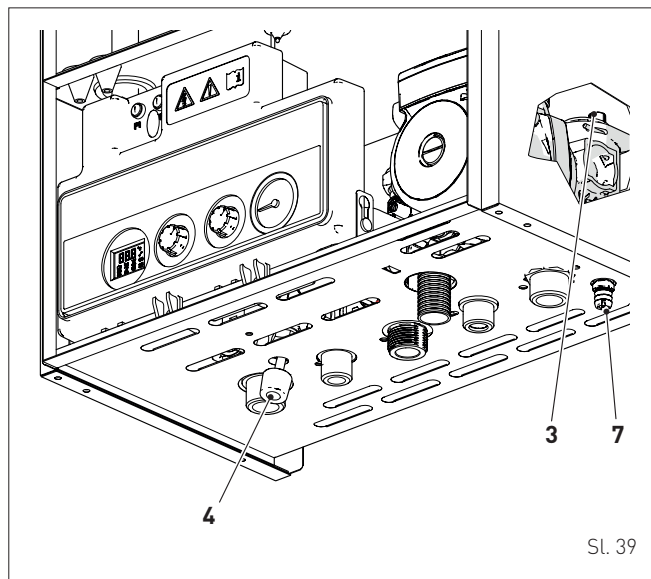


Sl. 38

NAPOMENA: za potpuno odzračivanje sistema, ono što je gore opisano preporučuje se da se ponovi nekoliko puta.

- proverite pritisak koji pokazuje manometar (5) i, ako je potrebno, završite punjenje da biste pročitali ispravnu vrednost pritiska
- zatvorite poklopac automatskog ventila za odzračivanje (3).

Ponovo sastavite prednji panel kotla tako što ćete ga pričvrstiti na vrhu, gurnuti ga napred i pričvrstiti zatezanjem vijaka (1) koji su prethodno uklonjeni.



Sl. 39

7 PUŠTANJE U RAD

7.1 Preliminarne operacije



PAŽNJA

- Ako je potrebno pristupiti prostorima u donjem delu aparata, uverite se da temperature komponenti sistema ili cevi nisu visoke (opasnost od opekotina).
- Pre izvođenja operacija reintegracije sistema za grejanje nosite zaštitne rukavice.

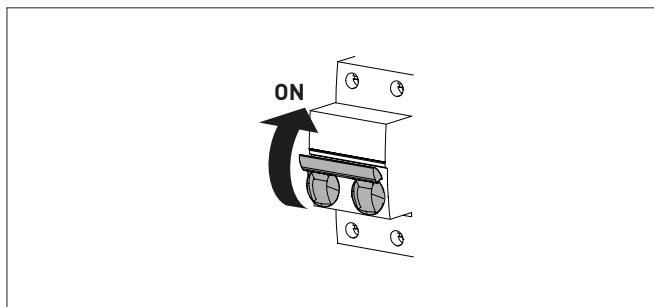
Pre puštanja u rad uređaja, proverite:

- da li je vrsta gasa ona za koju je uređaj predviđen
- da li su ventili za zatvaranje gasa, termičko postrojenje i vodovodni sistem otvoreni
- da li je pritisak u postrojenju, kada je hladno, označen manometrom, je između **1 i 1,2 bara**
- da li se rotor pumpe slobodno okreće.

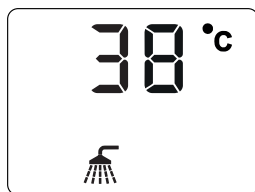
7.2 Pre puštanja u rad

Nakon obavljanja preliminarnih operacija, za puštanje kotla u rad:

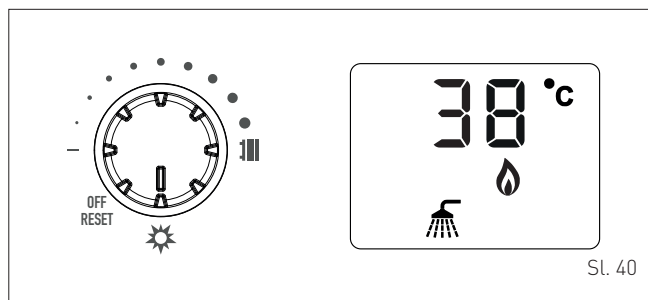
- postavite glavni prekidač postrojenja na „ON“ (uključeno)



- ekran će zasvetliti i na njemu će se prikazati:
 - vrsta gasa, „nG“ (metan G20) ili „LPG“ (GPL)
 - verziju firmvera
 - toplotnu snagu i ispravan prikaz simbola
- konačno, na ekranu će se prikazati temperatura protoka (npr. 18 °C), ako će režim biti grejanje, ili temperatura sanitarnog izlaza (npr. 38 °C) ako je u pitanju sanitarni režim rada

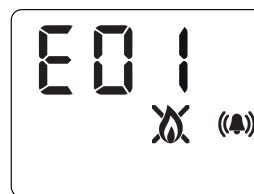


- okrenite višenamensko dugme za grejanje dok ne odaberete simbol („režim rada LETO“)
- otvorite jednu ili više slavina za toplu vodu. Kotao će raditi na maksimalnoj snazi dok se slavina/slavine ne zatvore. Na ekranu će se prikazati vrednost temperature sanitarne vode koja je očitana u tom trenutku.



Sl. 40

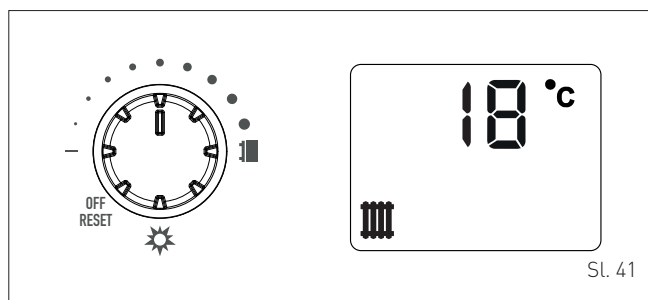
- ako postoji greška na ekranu će se pojaviti „E“, a zatim kod greške (npr. „01“ - nedostatak očitavanja plamena)



UPOZORENJE

U slučaju začepljenja, za vraćanje uslova pokretanja, stavite višenamenski taster za zagrevanje na **RESET**; zatim sačekajte dok ne vidite poruku „RES“ na ekranu i okrenite taster u prethodni položaj. Ova radnja se može izvesti najviše 5 puta.

- zatvorite prethodno otvorene slavine i proverite da li je uređaj zaustavljen
- za odabir „režima rada ZIMA“ okrenite višenamensko dugme za grejanje na željenu zadanu vrednost, na taj način podesite početnu temperaturu kotla. Moguće podešavanje je od 20 do 80 °C



Sl. 41

- podesite sobni termostat i proverite da li se kotao uključuje i radi ispravno



UPOZORENJE

Da bi se proverilo da li su mrežni pritisci i pritisci mlaznice tačni, procedura opisana u paragrafu se mora izvršiti „Funkcija čišćenja dimnjaka i kalibracija ventila gasa“.

7.3 Prikaz i podešavanje parametara

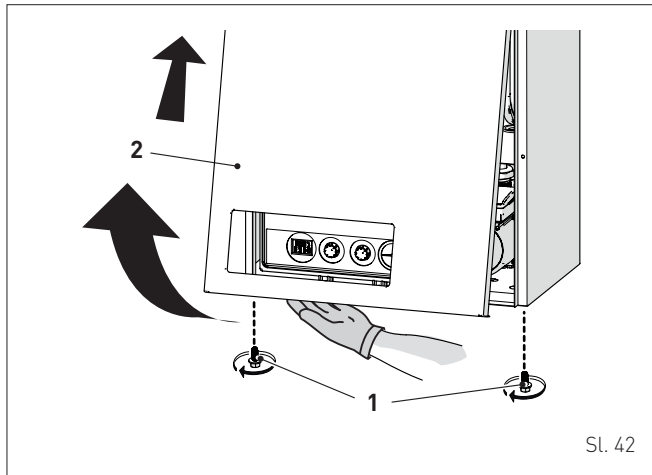


UPOZORENJE


Prikazivanje i podešavanje parametara može izvršiti SAMO ovlaštena služba tehničke pomoći ili stručno osoblje.

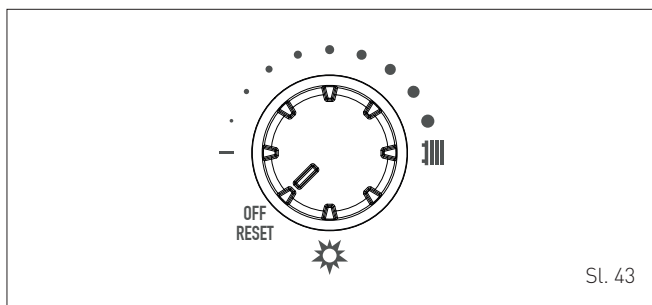
Za ulazak u meni sa parametrima:

- odvijte dva zavrtnja (1), povucite prednji panel (2) napred i podignite ga kako biste ga oslobodili na vrhu



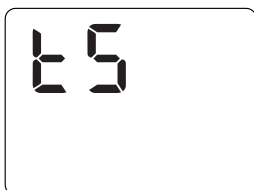
Sl. 42

- postavite dugme  na OFF

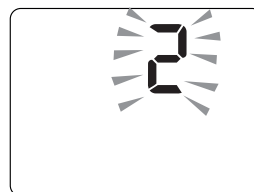


Sl. 43

- pritisnite **istovremeno**, na ~ 5 s, tastere **+** i **-** sve dok se na ekranu ne prikaže „tS0.1“ (indeks prvog parametra)



- pritisnuti taster **+**, najmanje 1 sekundu, za pomicanje popisa parametara gore ili taster **-**, najmanje 1 sekundu, za pomicanje popisa dole
- kada dodete do željenog parametra, istovremeno pritisnite tastere **+** i **-**, u trajanju od ~ 1 s, da biste to potvrdili i na taj način pristupili podešenoj vrednosti koja će treptati na ekranu i moći da je izmenite



- da biste promenili vrednost, u dozvoljenom opsegu, držite pritisnut najmanje 1 sekundu, taster **+** da biste je povećali ili taster **-** da biste je smanjili
- kada dodete do željenog parametra, istovremeno pritisnite tastere **+** i **-**, u trajanju od ~ 1 s, da biste to potvrdili i vratili se u popis parametara
- nastavite sa promenama bilo kojih drugih parametara.

Nakon završetka svih promena vrednosti parametara, za izlaz iz menija parametara, pritisnite **istovremeno**, na ~ 5 s, tastere **+** i **-** dok se ne prikaže početni ekran, ili sačekajte 5 minuta za automatski izlaz iz menija.



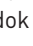

7.4 Popis parametara

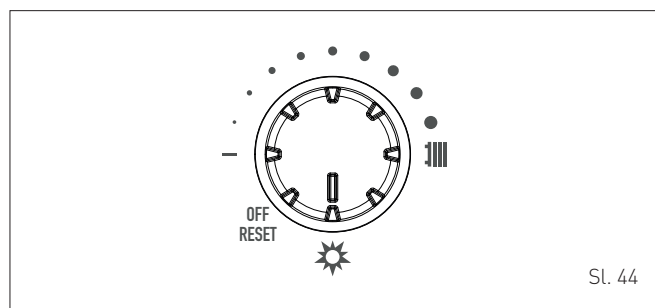
Vrsta	Br.	Opis	Opseg	Jedinica mere	Korak	Standardno
PODEŠAVANJE						
tS	0.1	Hidraulički sistem	0 = monotermičko	-	-	0
tS	0.2	Vrsta gasa	0 = G20 1 = G30/G31	-	1	0
tS	0.3	Podešavanje sanitarne vode (PTV)	0 = Prekidač pritiska 1 = merač protoka	-	1	1
tS	0.4	Odabir klimatske krive (Koefficient K)	1,0 .. 3,0	-	0,1	2.0
tS	0.5	Funkcija protiv čestih ciklusa - Temperatura ponovnog pokretanja grejanja	0 .. +10	min	1	3
tS	0.6	Vrsta zadate vrednosti bojlera (ne koristi se)	1	-	-	1
tS	0.7	Vrsta kotla	1 = vodonepropusno	-	-	1
SANITARNO - GREJANJE						
tS	0.8	Režim rada temperature (PTV)	0 = stalno na 67 °C 1 = zadata vrednost podešenog PTV	-	1	0
tS	0.9	Snaga uključivanja	0 .. 40	%	1	40
tS	1.0	Maksimalna snaga grejanja	0 .. 100	%	1	77
tS	1.1	Maksimalna sanitarna snaga	0 .. 100	%	1	100
tS	1.2	Minimalna snaga grejanja	0 .. 100	%	1	0
tS	1.3	Minimalna sanitarna snaga	0 .. 100	%	1	0
tS	1.4	Minimalna podešena temperatura grejanja	20 .. 40	°C	1	20
tS	1.5	Maksimalna podešena temperatura grejanja	40 .. 80	°C	1	80
tS	1.6	Maksimalna sanitarna podešena temperatura	60	°C	1	60
tS	1.8	Sanitarna modulacija sa meračem protoka	0 = modul sa prekidačem pritiska 1 = modul sa meračem protoka	-	1	1

7.5 Prikaz alarma/kvarova koji su se desili

Ova funkcija dozvoljava prikazivanje, sa sadržajem alarma, koji su se pojavili tokom vremena i koji su memorisani.

Da biste aktivirali ovu funkciju:

- okrenite dugme  dok ne odaberete simbol  („režim rada LETO“)



Sl. 44

- pritisakajte tastere **+** i **-** istovremeno ~ 5 s dok se na ekranu ne prikaže „0.1“ (indeks prve greške). Redosled grešaka koji se javljaju polazi od najskorije do najstarije



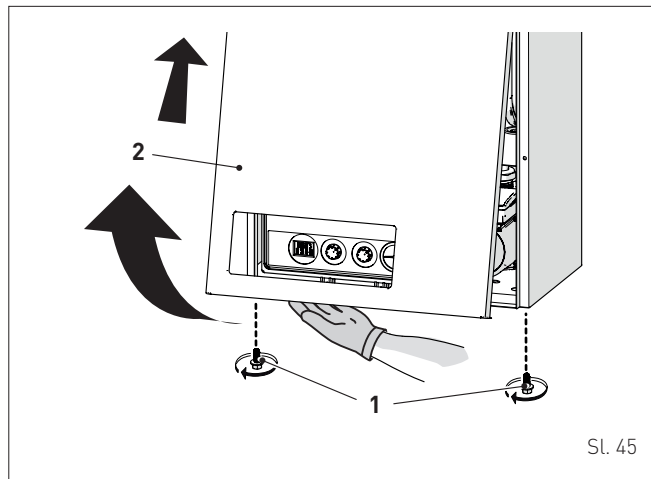
- za izlazak iz **Prikaz alarma/kvarova koji su se desili** pritisakajte tastere **+** i **-** istovremeno ~ 5 s.

7.6 Provere i podešavanja

7.6.1 Funkcija čišćenja dimnjaka i kalibracija ventila gasa

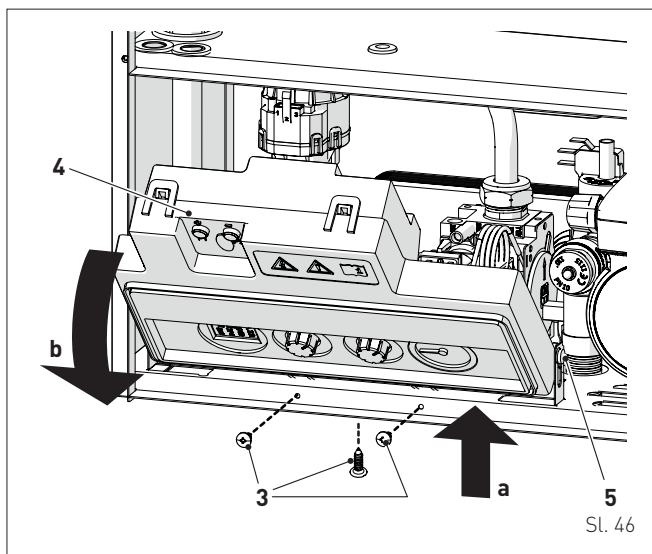
Funkcija čišćenja dimnjaka omogućava rad kotla na maksimalnoj snazi (**Hi** na ekranu) ili na minimalnoj snazi (**Lo** na ekranu). Funkcija čišćenja dimnjaka je korisna za kvalifikovanog tehničara održavanja da proveri ispravnost pritiska gasa na mlaznicama (prednji panel (2) MORA biti otvoren) i da očita parametre sagorevanja (prednji panel (2) MORA biti zatvoren). Trajanje ove funkcije je 15 minuta i za njegovo aktiviranje izvršavaju se sledeće operacije:

- ako ploča (2) nije već uklonjena, odvrnite dva vijka (1), povucite prednju ploču (2) napred i podignite je kako biste je oslobodili na vrhu

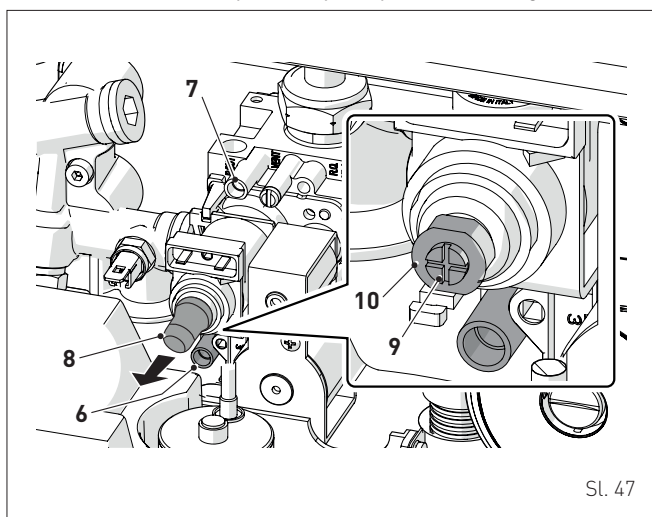


Sl. 45

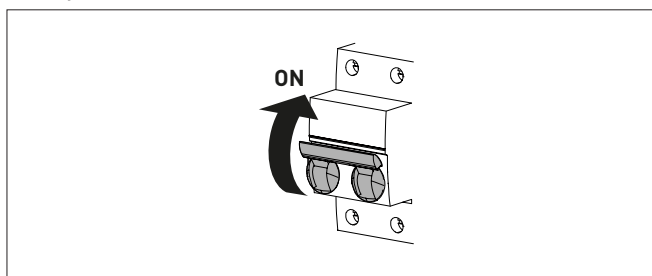
- uklonite zavrtnje (3) osigurajte kontrolnu tablu (4)
- pomerite ploču (4) ka gore (a) držeći ga u bočnim vodilicama (5) dok se ne zaustavi
- okrenite ga prema napred (b) dok ne dođe u horizontalnom položaj



- popustite šraf na priključku "pritiska dovoda" (7) i povežite manometar. Skinite providni poklopac (8) ventila gasa

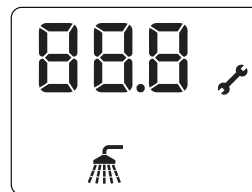


- napajajte kotao postavljanjem glavnog prekidača na „ON“ (uključeno)

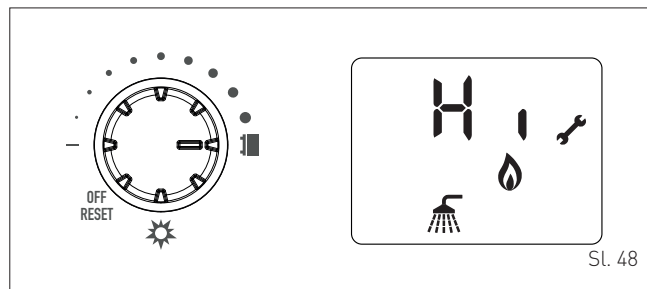


Za aktiviranje „funkcije čišćenja dimnjaka“:

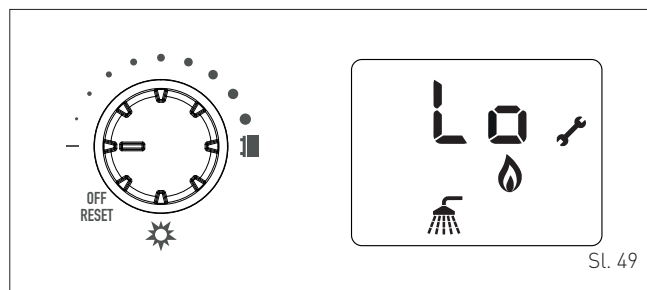
- okrećite dugme dok ne izaberete simbol („ČIŠĆENJE DIMNJAKA“)
- konstantno okrećite dugme na minimalnu zadatu vrednost, a zatim odmah na maksimalnu zadatu vrednost. Na ekranu će se prikazati simboli i





- otvorite još jednu slavinu tople vode i pokrenite kotao

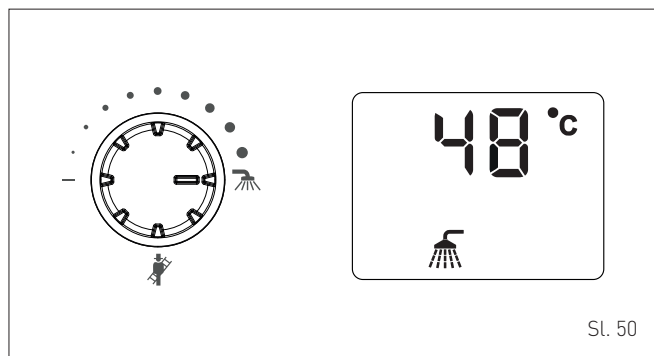


- proverite na manometru da li je vrednost pritiska na izlazu pravilna kako je navedeno u tabeli **Tehničke karakteristike** (prema modelu kotla i vrsti korišćenog gasa), u suprotnom delujte na šraf (10) pomoću cevnog ključa da povećate il smanjite pritisak na mlaznicama; okrećite u smeru kazaljke na satu da povećate pritisak; da biste smanjili pritisak, okrećite u smeru suprotnom od kazaljke na satu. Na kraju očitajte podatke o sagorevanju i izmerite efikasnost sagorevanja
- okrenite ručicu do maksimalne vrednosti postavke kako bi kotao radio pri minimalnoj snazi "Lo"



- proverite na manometru da li je vrednost pritiska na izlazu pravilna kako je navedeno u tabeli **Tehničke karakteristike** (prema modelu kotla i vrsti korišćenog gasa), u suprotnom delujte na šraf (9) pomoću zvezdastog ključa da povećate il smanjite pritisak na mlaznicama; okrećite u smeru kazaljke na satu da povećate pritisak; da biste smanjili pritisak, okrećite u smeru suprotnom od kazaljke na satu.

- da biste napustili „Postupak čišćenja dimnjaka“, okrenite dugme  iz pozicije  „ČIŠĆENJE DIMNJAKA“ na maksimalnu zadatu vrednost ili sačekajte istek vremena (~ 15 min). Na ekranu će se prikazati temperatura tople sanitarne vode



- nakon što proverite/izbaždarite ventil gasa, zatvorite slavine koje ste prethodno odvrnuli i proverite da li se aparat zaustavlja
- otkačite manometar, dobro zatvorite priključak za pritisak (7)
- zatvorite slavinu za plin
- popustite šraf na priključku za "pritisak dovoda" (6), povežite manometar i odvrnite slavinu za gas
- **odvrnite jednu ili više slavina tople vode**
- postavite kotao u režim čišćenja dimnjaka "Hi" i proverite da li je pritisak napajanja jednak vrednosti navedenoj u tabeli "Pritisak dovoda gasa"; ako nije, podesite vrednost pritiska podešavanjem eventualnog reduktora pritiska na ulazu u liniju za dovod gasa
- nakon što proverite pritisak napajanja, zatvorite slavine za vodu koje ste prethodno odvrnuli i proverite da li se aparat zaustavlja
- zatvorite slavinu za plin
- otkačite manometar, pažljivo zatvorite priključak pritiska (6), vratite upravljačku ploču u prvobitni položaj i ponovno postavite prednju ploču (2).



UPOZORENJE

Ovaj postupak MORA DA SE OBAVI nakon zamene ventila gasa, zbog kvara, ili radi provere da li je pravilno kalibrisan pritisak gasa na mlaznicama.

Pritisak dovoda gasa

Vrsta gasa	G20	G30	G31
Pritisak (mbar)	20	28-30	37

Postavljanje sa PODELJENIM odvodima dima

Model	Termička snaga	Pritisak u mlaznicama (mbar)		
		G20	G30	G31
GO 18/25-BF	Maks	12,6 ÷ 13,0	27,2 ÷ 27,6	35,4 ÷ 35,8
	min	0,9 ÷ 1,2	2,2 ÷ 2,5	4,1 ÷ 4,4

Postavljanje sa KONCENTRIČNIM odvodima dima

Model	Termička snaga	Pritisak u mlaznicama (mbar)		
		G20	G30	G31
GO 18/25-BF	Maks	13,1 ÷ 13,5	27,2 ÷ 27,6	35,4 ÷ 35,8
	min	1,5 ÷ 1,8	3,1 ÷ 3,4	3,4 ÷ 3,7

- Povežite analizator dimnih gasova sa priključkom za povlačenje
- otvorite još jednu slavinu tople vode i pokrenite kotao
- očitavanje podataka o sagorevanju i, po potrebi, merenje efikasnosti sagorevanja predviđenog važećim zakonodavstvo.

Nakon merenja zatvorite prethodno otvorene slavine i skinite analizator dima.

7.7 Promena gasa koji se može koristiti

Modeli **GO BF** se mogu transformisati sa rada na G20 (metan) u G30/G31 (LPG) postavljanjem „Kompleta mlaznica za G30/G31 (LPG), kod 5144716 koji treba naručiti odvojeno od kotla. Nakon zamene mlaznica **potrebno je podesiti parametar tS 0.2 = 1.**



UPOZORENJE

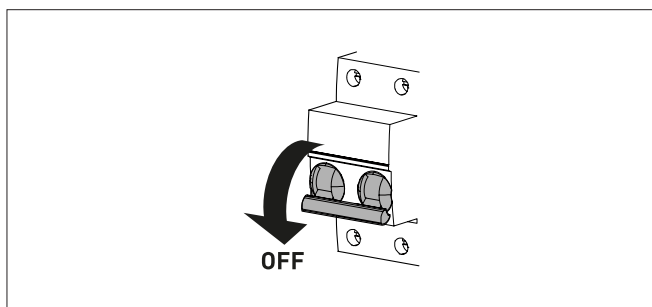
Operacije održavanja mora obaljšati SAMO stručno osoblje.



PAŽNJA

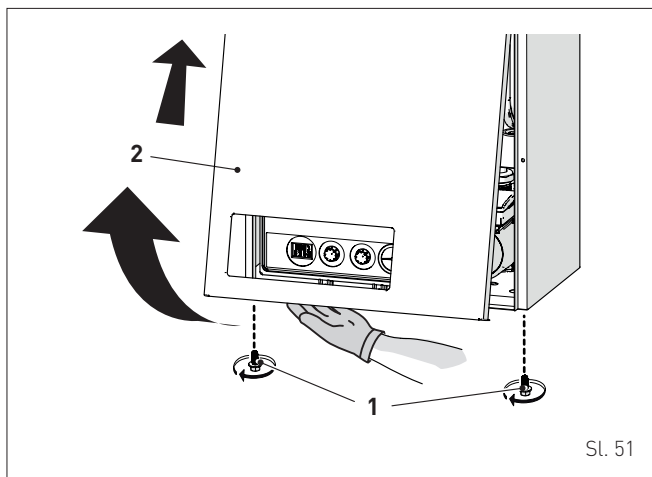
Pre izvođenja operacija opisanih u nastavku:

- postavite glavni prekidač postrojenja na „OFF“ (isključeno)
- zatvorite slavinu za plin
- pazite da ne dodirnete vrele delove u uređaju.



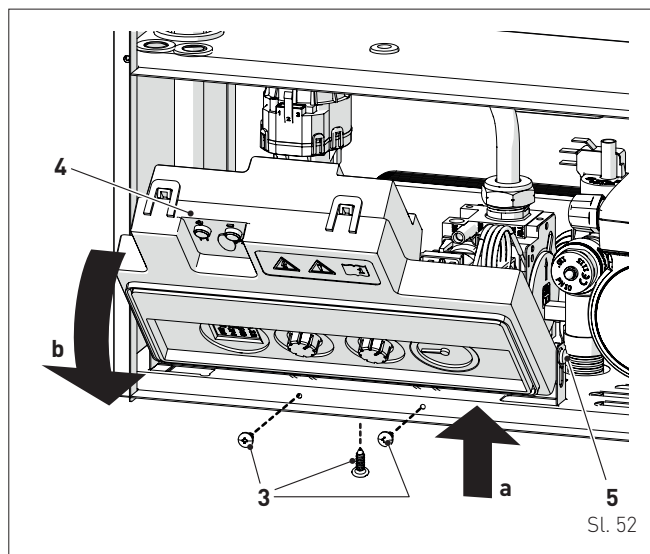
Za izvršavanje transformacije:

- odvijte zavrtnje (1), povucite prednji panel (2) napred i podignite ga kako biste ga oslobodili na vrhu



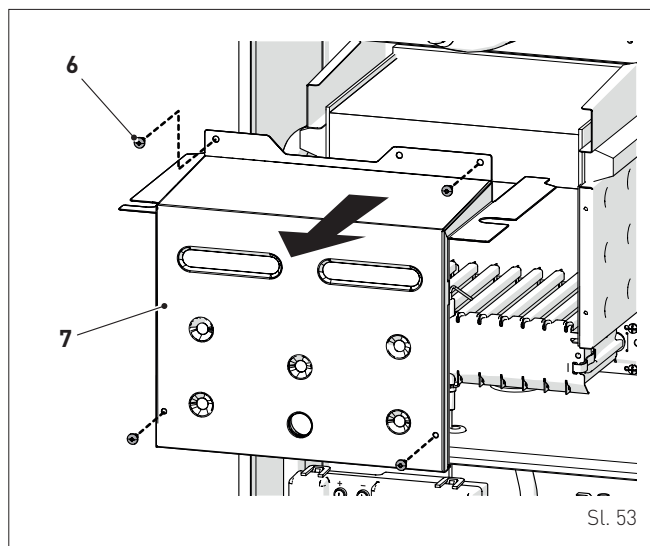
Sl. 51

- uklonite zavrtnje (3) osigurajte kontrolnu tablu (4)
- pomerite ploču (4) ka gore (a) držeći ga u bočnim vodilicama (5) dok se ne zaustavi
- okrenite ga prema napred (b) dok ne dođe u horizontalnom položaj



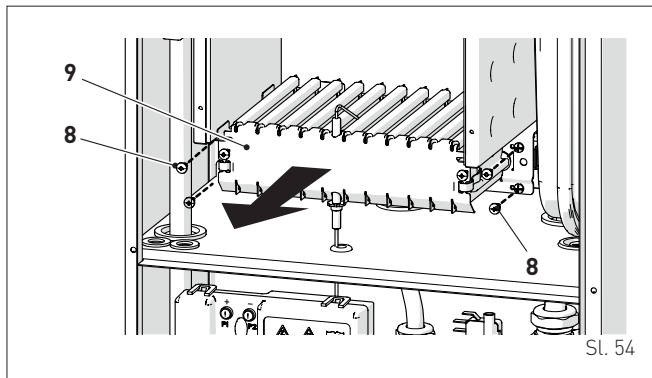
Sl. 52

- odvrnite četiri vijka (6) i uklonite prednja vrata komore za sagorevanje (7) radeći pažljivo kako biste izbegli oštećenje izolacije



Sl. 53

- odvrnite četiri vijka (8) koji spajaju razvodnik mlaznice sa gorionikom (9)
- uklonite gorionik (9) vodeći računa da izvadite kabal elektrode za uključivanje/očitavanje iz silikonske uvodnice kabla. Zamenite mlaznice onima koji su isporučene sa kompletom dodatne opreme, postavljajući bakarne dihtunge koji se isporučuju s kompletom



Sl. 54

- postavite gorionik (9) pričvršćujući ga pomoću četiri vijka (8)
- proverite da li je izolacija prednje ploče (7) komore za sagorevanje neoštećena. U suprotnom je zamenite
- ponovo postavite prednja vrata komore za sagorevanje (7) i pričvrstite ih sa četiri vijka (6)

**UPOZORENJE**

- Položaj elektrode je veoma važan za pravilno očitavanje struje jonizacije.
- Proverite visinu elektroda kako je navedeno u paragrafu "Provera elektrode za uključivanje/očitavanje".

**UPOZORENJE**

U slučaju transformacije gasa za napajanje, od G20 do G30 ili G31, označite odgovarajuće polje na TEHNIČKOJ PLOČICI.

G30 - 30 mbar

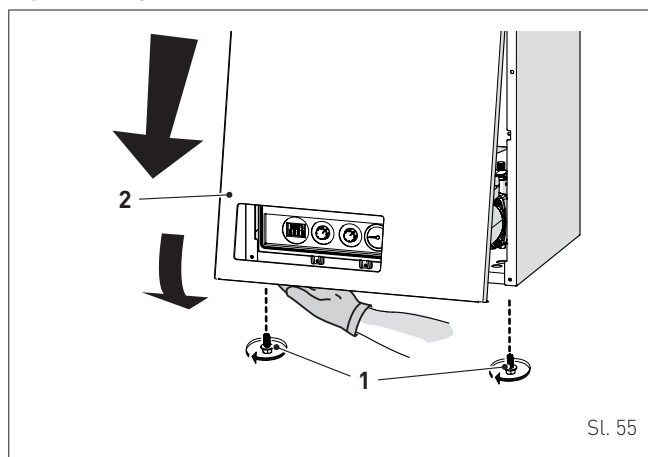


Ili:

G31 - 37 mbar



- kotao napušta fabriku kalibrisan za metan (G20), ako želite da je transformišete u LPG (G30/G31), morate postaviti parametar tS 0.2 = 1, za proceduru promene parametara pogledajte paragraf „Prikaz i podešavanje parametara“
- izvršite postupak "Funkcija čišćenja dimnjaka i kalibracija ventila gasa", a zatim ponovo namontirajte prednju ploču (2) i pričvrstite je s dva šrafa (1).



Sl. 55

8 ODRŽAVANJE

8.1 Propisi

Za efikasan i redovan rad uređaja preporučuje se da korisnik zaduži kvalifikovanog tehničara koji će, uz **GODIŠNJU** periodičnost, obezbediti njegovo održavanje.



UPOZORENJE

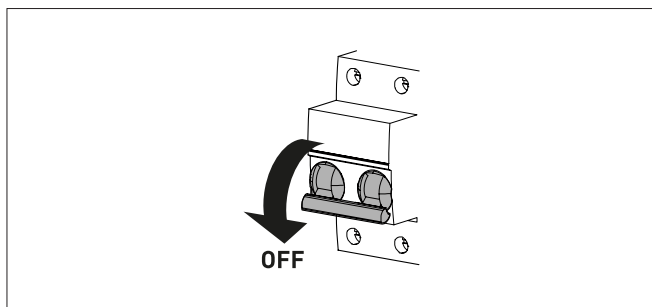
- Operacije održavanja mora obaljati SAMO stručno osoblje uz **OBAVEZNO nošenje** odgovarajuće zaštitne opreme.
- Uverite se da temperature komponenti sistema ili cevi nisu visoke (opasnost od opekotina).



PAŽNJA

Pre izvođenja operacija opisanih u nastavku:

- postavite glavni prekidač postrojenja na „OFF“ (isključeno)
- zatvorite slavinu za plin
- pazite da ne dodirnete vrele delove u uređaju.



8.2 Spoljno čišćenje

8.2.1 Čišćenje kućišta

Da biste očistili kućište, koristite krpnu navlaženu vodom i sapunom ili vodom i alkoholom u slučaju tvrdokornih mrlja.



ZABRANJENO JE

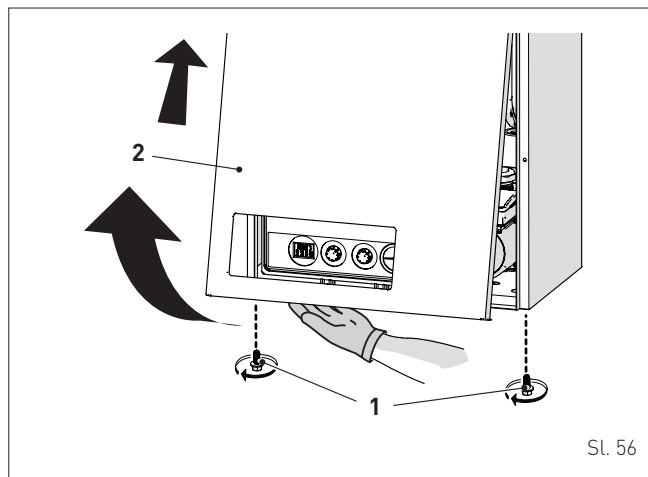
koristite abrazivne proizvode.

8.3 Unutarnje čišćenje

8.3.1 Čišćenje izmenjivača

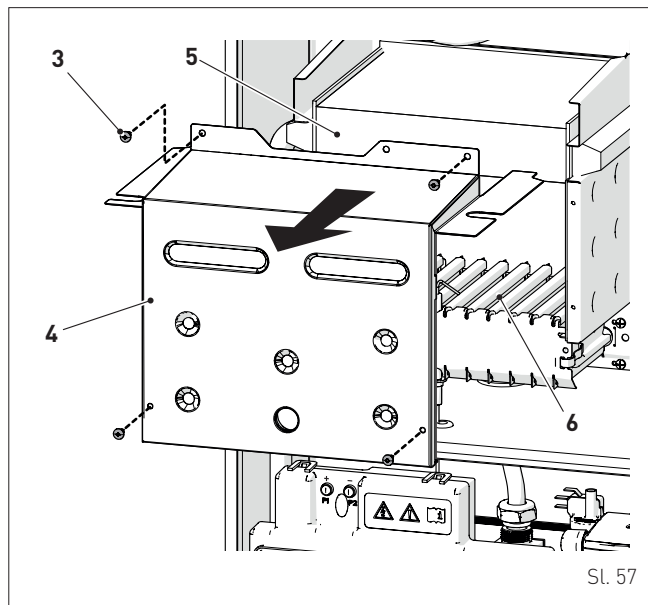
Da biste izvršili čišćenje izmenjivača:

- odvijte zavrtnje (1), povucite prednji panel (2) napred i podignite ga kako biste ga oslobodili na vrhu



Sl. 56

- odvrnite četiri vijka (3) i uklonite prednja vrata komore za sagorevanje (4) radeći pažljivo kako biste izbegli oštećenje izolacije



Sl. 57

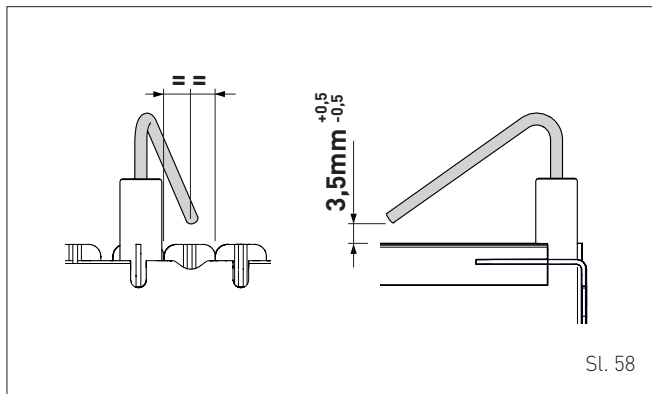
- ako ima prljavštine na lamelama izmenjivača (5), zaštitite sve rampe gorionika (6) tako što ćete ih pokriti krpom ili novinama i četkom očistite izmenjivač (5).

8.3.2 Čišćenje gorionika

Gorionik ne zahteva posebno održavanje. Jednostavno ga obrišite četkom.

8.3.3 Provera elektrode za uključivanje/očitavanje

Proverite stanje elektrode za uključivanje/očitavanje i zamenite je ako je potrebno. Bez obzira da li je elektroda za uključivanje/očitavanje zamenjena ili ne, proverite dimenzije kao što je prikazano na crtežu.



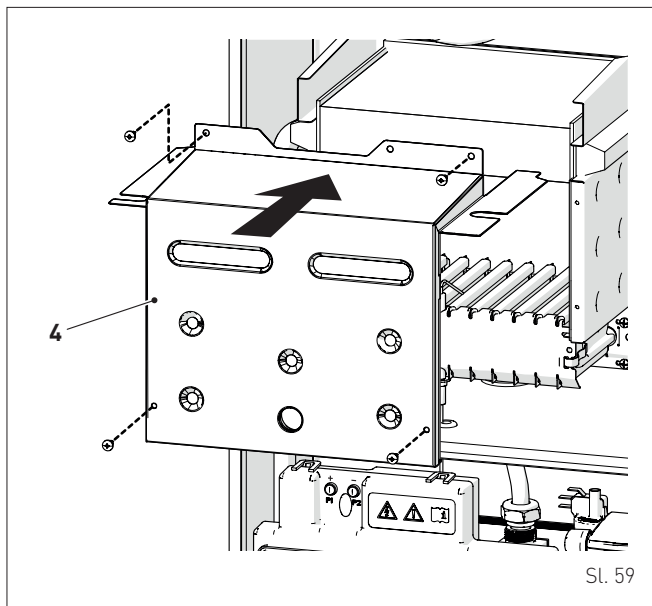
UPOZORENJE

Pozicioniranje elektrode je veoma važno za pravilno očitavanje struje jonizacije.

8.3.4 Završne operacije

Nakon čišćenja izmenjivača i gorionika:

- uklonite sve ostatke ugljena pomoću usisivača
- proverite da li je izolacija prednje ploče (4) komore za sagorevanje neoštećena. U suprotnom je zamenite
- ponovo stavite ploču (4) pričvršćujući je odgovarajućim vijcima.



8.4 Kontrole

8.4.1 Kontrola provoda dima

Preporučuje se da proverite da li su odvodi za sagoreni vazduh i odvod za dim netaknuti i zaptiveni.

8.4.2 Kontrola pritiska ekspanzione posude

Predlaže se da ispraznite ekspanzionu posudu, na strani vode, i proverite da li je vrednost pre punjenja niža od **1 bar**. U suprotnom podesite na ispravnu vrednost (pogledajte paragraf „**Ekspanziona posuda**“).

Kada se iznad opisane kontrole završe:

- ponovo napunite kotao kako je opisano u paragrafu "**Operacije PUNJENJA**"
- pokrenite kotao i izvršite analizu dima i/ili merenje efikasnosti izgaranja
- ponovo sastavite prednju ploču i pričvrstite je pomoću dva vijka koja ste prethodno uklonili

8.5 Vanredno održavanje

U slučaju zamene:

- mlaznica, za menjanje gasa koji se može koristiti
- sa elektronske kartice, zbog kvara
- ventila za gas, zbog kvara.

Proverite da li su podešavanja parametra ispravna.

Da biste ušli u „**Prikaz i podešavanje parametara**“ pogledajte šta je opisano u odgovarajućem paragrafu.

Kada završite postavku parametara navedenih u tabeli, treba da izvršite čitavu fazu "**Funkcija čišćenja dimnjaka i kalibracija ventila gasa**" opisanu u odnosnom paragrafu.

8.6 Godovi grešaka i moguća rešenja

POPIS ALARMA GREŠAKA/KVAROVA

Vrsta	Br.	Greška	Rešenje
E	01	Greška kruga za očitavanje plamena	<ul style="list-style-type: none"> - Proverite ispravnost elektrode i uzemljenja - Proverite raspoloživost gasa i pritisak gasa - Proverite ispravnost ventila za gas i kartice
E	02	Intervencija bezbednosnog termostata	<ul style="list-style-type: none"> - Proverite priključke sonde ili termostata - Odzračite postrojenje - Proverite ventil za odzračivanje - Zamenite sondu ili termostat - Proverite da rotor pumpe nije blokiran
E	04	Nizak pritisak vode u postrojenju	<ul style="list-style-type: none"> - Izvršite reintegraciju - Proverite ima li curenja u postrojenju
E	05	Intervencija prekidač pritiska vazduha	<ul style="list-style-type: none"> - Proverite prekidač pritiska vazduha i ventilator - Proverite da li je između ventilatora i prekidača pritiska vazduha došlo do začepljenja silikonske cevi i proverite da li je cev pravilno postavljena na priključak prekidača pritiska P2 - Proverite pravilnu upotrebu segmentirane vazdušne membrane - Proverite da li ima začepljenja kanala za odvod dima i vazduha
E	06	Greška sanitarne sonde	<ul style="list-style-type: none"> - Proverite povezivanje - Proverite rad sonde
E	07	Greška sonde za protok	<ul style="list-style-type: none"> - Proverite povezivanje - Proverite rad sonde
E	09	Nedostatak cirkulacije vode u postrojenju	<ul style="list-style-type: none"> - Proverite rotiranje rotora pumpe - Proverite električne veze - Zamenite pumpu
E	11	Greška vrtloga plamena	<ul style="list-style-type: none"> - Proverite ispravnost elektrode i uzemljenja
E	12	Nepovezan modulator ventila za gas	<ul style="list-style-type: none"> - Proverite električne veze
E	28	Postignut je maksimalni broj uzastopnih otključavanja	<ul style="list-style-type: none"> - Sačekajte 1 sat i ponovo pokušajte da otključate karticu - Kontaktirajte centar za pomoć

Vrsta	Br.	Greška	Rešenje
E	37	Greška zbog niske vrednosti napona mreže	<ul style="list-style-type: none"> - Proverite napon - Kontaktirajte upravnika
E	40	Pogrešno očitavanje frekvencije mreže	<ul style="list-style-type: none"> - Kontaktirajte upravnika
E	41	Gubitak plamena 6 ili više puta uzastopno	<ul style="list-style-type: none"> - Proverite elektrodu za uključivanje/očitavanje - Proverite dostupnost gasa (otvorena slavina) - Proverite pritisak gasa u mreži
E	42	Greška dugmadi	<ul style="list-style-type: none"> - Proverite funkcionalnost dugmadi
E	43	Greška „Open Therm“ komunikacije	<ul style="list-style-type: none"> - Proverite OT električnu vezu
E	44	Došlo je do greške u vremenskom zastoju ventila za gas plamena	<ul style="list-style-type: none"> - Proverite ventil za gas i karticu
E	72	Traženi ΔT nije postignut pri pokretanju	<ul style="list-style-type: none"> - Proverite ispravnost položaja sonde za protok
E	80	Kvar na logičkoj liniji kabla ventila za gas / kabla oštećenog ventila	<ul style="list-style-type: none"> - Proverite ventil za gas, karticu, elektrodu i kabl ventila
E	88	Interna greška (zaštita komponente kartice)	<ul style="list-style-type: none"> - Proverite rad kartice - Zamenite karticu
	888	Pregrevavanje	<ul style="list-style-type: none"> - Proverite sonda za protok - Proverite odvod dima - Proverite pumpu postrojenja
E	98	Sw greška, pokretanje kartice	<ul style="list-style-type: none"> - Kontaktirajte centar za pomoć
E	99	Generička greška	<ul style="list-style-type: none"> - Kontaktirajte centar za pomoć
-	-	Česta intervencija bezbednosnih ventila	<ul style="list-style-type: none"> - Proverite pritisak u krugu - Proverite ekspanzionu posudu
-	-	Slaba proizvodnja sanitarne vode	<ul style="list-style-type: none"> - Proverite ventil za odzračivanje - Proverite ventil razvodnika - Proverite slavinu sanitarnog kruga



Fonderie Sime S.p.A - Via Garbo, 27 - 37045 Legnago (Vr)
Tel. +39 0442 631111 - Fax +39 0442 631292 - www.sime.it